

Excellent Integrated System Limited

Stocking Distributor

Click to view price, real time Inventory, Delivery & Lifecycle Information:

[Molex Connector Corporation](#)
[0442810009](#)

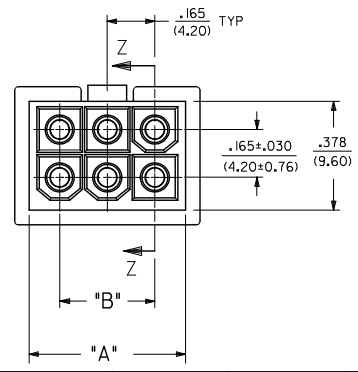
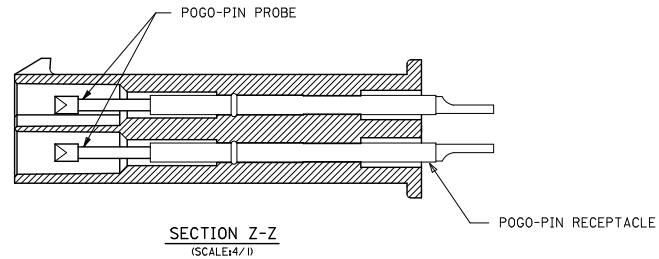
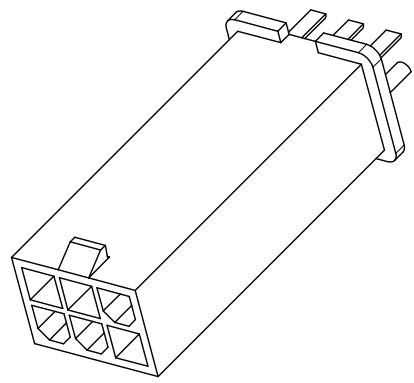
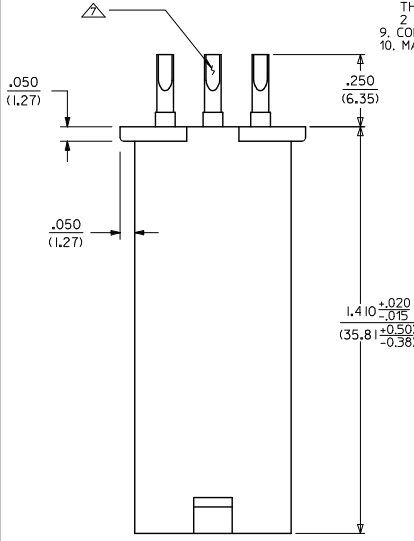
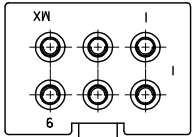
For any questions, you can email us directly:

sales@integrated-circuit.com

NOTES:

1. MATERIAL:
HOUSING: LCP 30% GLASS FILLED, COLOR BLOCK
POGO-PIN PROBE: HEAT TREATED BERYLLIUM COPPER
POGO-PIN RECEPTACLE: WORK-HARDENED NICKEL SILVER
2. FINISH:
POGO-PIN PROBE: GOLD PLATED OVER HARD NICKEL
POGO-PIN RECEPTACLE: GOLD PLATED OVER HARD NICKEL
3. PRODUCT SPECIFICATION: PS-44281-001
4. PACKAGING INFORMATION: PK-44281-001
5. THIS PART MATES WITH RECEPTACLE 5557, 42474, 44516, AND BMI HEADER, 42385.
6. PRODUCT IS INTENDED FOR LOW LEVEL CONTINUITY TESTING, 2.5 AMPS MAX.
- ▲ SOLDER CUP WILL ACCEPT 22-26 GAUGE WIRE.
- ▲ THE 10 CIRCUIT TEST PLUG CAN BE USED FOR TESTING A 5 CIRCUIT SINGLE ROW CONNECTOR.
THE 4 CIRCUIT TEST PLUG CAN BE USED FOR TESTING A 2 CIRCUIT DUAL ROW CONNECTOR AND 2 CIRCUIT SINGLE ROW CONNECTOR.
9. CONNECTORS ARE NOT TO BE MATED AND UNMATED WHILE CIRCUITS ARE LIVE.
10. MAXIMUM MATING CYCLES OF TEST PLUG IS 10,000 CYCLES.

MATERIAL NUMBER	CIRCUIT NUMBER	DIM. 'A'	DIM. 'B'
44281-0001	4	.378/(9.60)	.165/(4.20)
44281-0002	6	.543/(13.80)	.331/(8.40)
44281-0003	8	.709/(18.00)	.496/(12.60)
44281-0004	10	.874/(22.20)	.661/(16.80)
44281-0005	12	1.039/(26.40)	.827/(21.00)
44281-0006	14	1.205/(30.60)	.992/(25.20)
44281-0007	16	1.370/(34.80)	1.157/(29.40)
44281-0008	18	1.535/(39.00)	1.323/(33.60)
44281-0009	20	1.701/(43.20)	1.488/(37.80)



CORRECT NOTE 1 & OBSOLETE PARTS EC NO. UFP-2016-1587 DRAWINGS 2015/10/13 CHKD: BELL 2015/10/14 APPROVED: TH 2015/10/27	QUALITY SYMBOLS ▽=0 ▽=0 ▽=0	GENERAL TOLERANCES (UNLESS SPECIFIED)	DIMENSION STYLE IN/MM	SCALE 4:1	DESIGN UNITS METRIC	THIRD ANGLE PROJECTION																												
		<table border="1"> <thead> <tr> <th></th> <th>mm</th> <th>INCH</th> </tr> </thead> <tbody> <tr> <td>4 PLACES</td> <td>± .10</td> <td>± .004</td> </tr> <tr> <td>3 PLACES</td> <td>± .15</td> <td>± .006</td> </tr> <tr> <td>2 PLACES</td> <td>± 0.25</td> <td>± .010</td> </tr> <tr> <td>1 PLACE</td> <td>± 0.35</td> <td>± .014</td> </tr> <tr> <td>0 PLACE</td> <td>± .50</td> <td>± .020</td> </tr> </tbody> </table>		mm	INCH	4 PLACES	± .10	± .004	3 PLACES	± .15	± .006	2 PLACES	± 0.25	± .010	1 PLACE	± 0.35	± .014	0 PLACE	± .50	± .020	<table border="1"> <thead> <tr> <th>DRAWN BY</th> <th>DATE</th> </tr> </thead> <tbody> <tr> <td>A. GUZIK</td> <td>98/11/02</td> </tr> <tr> <th>CHECKED BY</th> <th>DATE</th> </tr> <tr> <td>EDGLEY</td> <td>98/11/03</td> </tr> <tr> <th>APPROVED BY</th> <th>DATE</th> </tr> <tr> <td>F. SMITH</td> <td>2015/10/27</td> </tr> </tbody> </table>	DRAWN BY	DATE	A. GUZIK	98/11/02	CHECKED BY	DATE	EDGLEY	98/11/03	APPROVED BY	DATE	F. SMITH	2015/10/27	TITLE MINI-FIT 4-20 CIRCUIT TEST PLUG ASSEMBLY
	mm	INCH																																
4 PLACES	± .10	± .004																																
3 PLACES	± .15	± .006																																
2 PLACES	± 0.25	± .010																																
1 PLACE	± 0.35	± .014																																
0 PLACE	± .50	± .020																																
DRAWN BY	DATE																																	
A. GUZIK	98/11/02																																	
CHECKED BY	DATE																																	
EDGLEY	98/11/03																																	
APPROVED BY	DATE																																	
F. SMITH	2015/10/27																																	
REV B3	DRAFT WHERE APPLICABLE MUST REMAIN WITHIN DIMENSIONS	ANGULAR ±1/2°	MATERIAL NO. SEE CHART	DOCUMENT NO. SD-44281-001	SHEET NO. 1 OF 1																													