

Excellent Integrated System Limited

Stocking Distributor

Click to view price, real time Inventory, Delivery & Lifecycle Information:

[Molex Connector Corporation](#)
[0443800004](#)

For any questions, you can email us directly:

sales@integrated-circuit.com

13

12

11

10

9

8

7

6

5

4

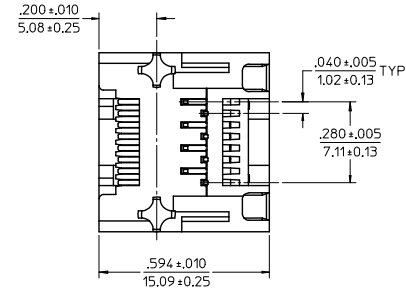
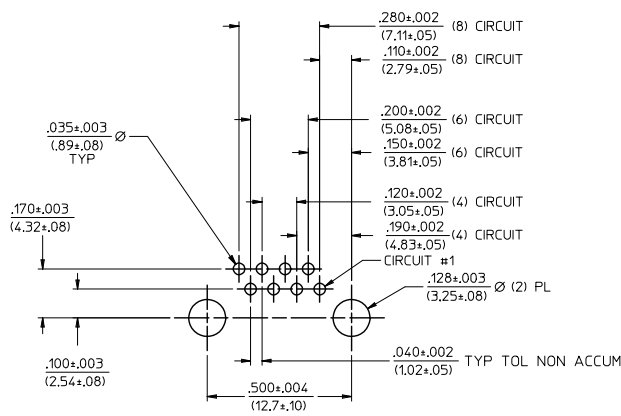
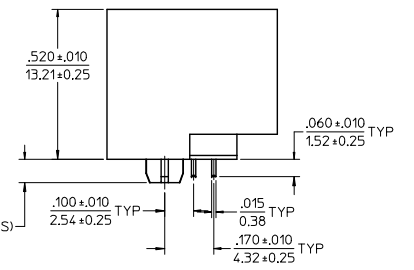
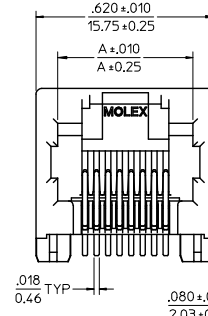
3

2

1

NOTES

- 1) MATERIAL:
HOUSING: GLASS FILLED NYLON, 94V-0 COLOR: BLACK
TERMINALS: PHOSPHOR BRONZE, .015/(0.38) THICK
SHIELD: BRASS
- 2) PLATING:
TERMINALS:
SELECT GOLD IN CONTACT AREA: 50 MICRONS (1.27 MICROMETERS) MIN.
SELECT TIN IN PC TAIL AREA: 100 MICRONS (2.54 MICROMETERS) MIN.
WITH OVERALL NICKEL UNDERPLATE: 50 MICRONS (1.27 MICROMETERS) MIN.
- 3) PRODUCT SPECIFICATION:
CONNECTOR PERFORMANCE SPECIFICATIONS PER MOLEX
PRODUCT SPECIFICATION PS-43860-003
- 4) PACKAGING OPTIONS:
CONNECTOR ASSEMBLIES IN EXTRUDED TUBES
PER PACKAGING SPECIFICATION PK-43860-004
- 5) ALL UNTOLERANCED DIMENSIONS ARE SHOWN FOR REFERENCE ONLY
- 6) CONFORMS TO F.C.C. REGULATION PART 68.5 FOR MODULAR JACKS.
- 7) THIS PART CONFORMS TO CLASS B REQUIREMENTS OF COSMETIC SPECIFICATION PS-45499-002.



PC BOARD LAYOUT
COMPONENT SIDE OF BOARD
RECOMMENDED PC BOARD THICKNESS .039/1.00

MATERIAL NUMBER	CONNECTOR SIZE	DIM. "A"	CIRCUITS
44380-0001	8	.470/11.94	8
44380-0002	6	.389/9.88	6
44380-0003	6	.389/9.88	4
44380-0019	8	.470/11.94	4

UPDATE VIEWS EC NO: UCP2015-0148 2014/07/16 DRAWING: NGUYEN 2014/07/16 CHKD: BELL 2015/05/19 APPR: SMITH 2015/05/19	QUALITY SYMBOLS ∇=0 ∇=0 ∇=0	GENERAL TOLERANCES (UNLESS SPECIFIED) <table border="1"> <thead> <tr> <th></th> <th>mm</th> <th>INCH</th> </tr> </thead> <tbody> <tr> <td>4 PLACES ±</td> <td>---</td> <td>---</td> </tr> <tr> <td>3 PLACES ±</td> <td>---</td> <td>---</td> </tr> <tr> <td>2 PLACES ±</td> <td>---</td> <td>---</td> </tr> <tr> <td>1 PLACE ±</td> <td>---</td> <td>---</td> </tr> <tr> <td>0 PLACE ±</td> <td>---</td> <td>---</td> </tr> </tbody> </table>		mm	INCH	4 PLACES ±	---	---	3 PLACES ±	---	---	2 PLACES ±	---	---	1 PLACE ±	---	---	0 PLACE ±	---	---	DIMENSION STYLE IN/MM	SCALE 4:1	DESIGN UNITS INCH	THIRD ANGLE PROJECTION
				mm	INCH																			
			4 PLACES ±	---	---																			
			3 PLACES ±	---	---																			
2 PLACES ±	---	---																						
1 PLACE ±	---	---																						
0 PLACE ±	---	---																						
DRAWN BY: MAYO 1999/04/09 CHECKED BY: ROBERTS 1999/04/09 APPROVED BY: ROBERTS 1999/04/09		TITLE INVERTED MODULAR JACK ASSEMBLY (MINI-PCI COMPLIANT)				MATERIAL NO. SD-44380-001																		
ANGULAR ±1/2° DRAFT WHERE APPLICABLE MUST REMAIN WITHIN DIMENSIONS		SEE CHART		DOCUMENT NO. SD-44380-001		SHEET NO. 1 OF 5																		
THIS DRAWING CONTAINS INFORMATION THAT IS PROPRIETARY TO MOLEX INCORPORATED AND SHOULD NOT BE USED WITHOUT WRITTEN PERMISSION																								

12

11

10

9

8

7

6

5

4

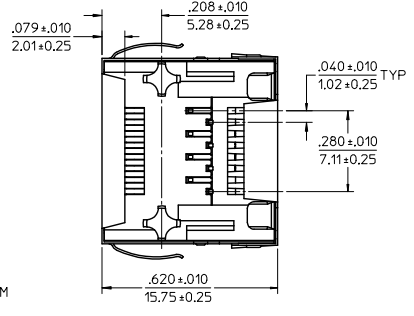
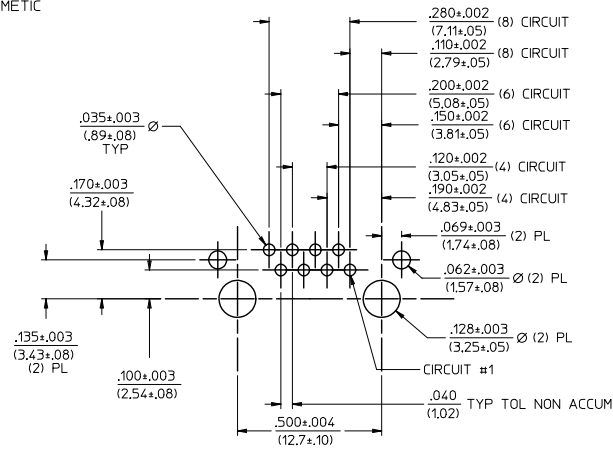
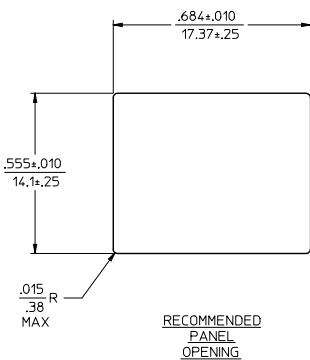
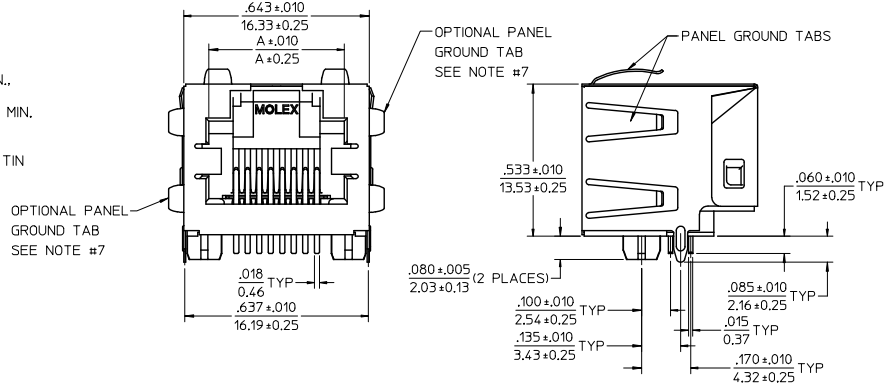
3

2

1

NOTES

- 1) MATERIAL:
HOUSING: GLASS FILLED NYLON, 94V-0 COLOR: BLACK
TERMINALS: PHOSPHOR BRONZE, .015/(0.38) THICK
SHIELD: BRASS
- 2) PLATING:
TERMINALS:
SELECT GOLD IN CONTACT AREA: 50 MICROINCHES (1.27 MICROMETERS) MIN.,
SELECT TIN IN PC TAIL AREA: 100 MICROINCHES (2.54 MICROMETERS) MIN.,
WITH OVERALL NICKEL UNDERPLATE: 50 MICROINCHES (1.27 MICROMETERS) MIN.
SHIELD:
100 MICROINCHES (2.54 MICROMETERS) NICKEL OVER 50 MICROINCHES
(1.27 MICROMETERS) COPPER UNDERPLATE, PCB GROUND TABS DIPPED IN TIN
- 3) PRODUCT SPECIFICATION:
CONNECTOR PERFORMANCE SPECIFICATIONS PER MOLEX
PRODUCT SPECIFICATION PS-43860-003
- 4) PACKAGING OPTIONS:
CONNECTOR ASSEMBLIES IN THERMOFORMED TRAYS
PER PACKAGING SPECIFICATION PK-44380-005
OPTION (44380-2004) PACKAGED IN TAPE AND REEL
- 5) ALL UNTOLERANCED DIMENSIONS ARE SHOWN FOR REFERENCE ONLY
- 6) CONFORMS TO F.C.C. REGULATION PART 68.5 FOR MODULAR JACKS
- 7) AVAILABLE WITH THE (2) SPECIFIED PANEL GROUND TABS OMITTED FOR SIDE TO SIDE STACKABILITY, PER THE ASSEMBLY MATERIAL NUMBER TABLE.
- 8) THIS PART CONFORMS TO CLASS B REQUIREMENTS OF COSMETIC SPECIFICATION PS-45499-002.

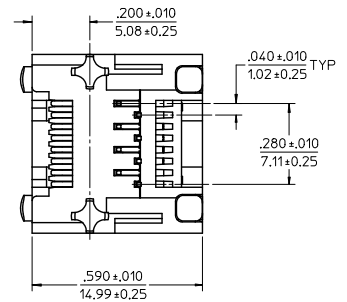
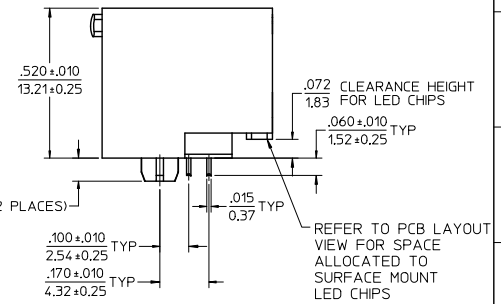
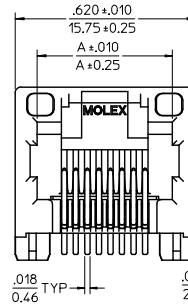


PC BOARD LAYOUT
COMPONENT SIDE OF BOARD
RECOMMENDED PC BOARD THICKNESS: .039/1.00

MATERIAL NUMBER	CONNECTOR SIZE	DIM. "A"	CIRCUITS	PANEL GROUND TABS
44380-0004	8	.470/11.94	8	ALL
44380-0005	6	.389/9.88	6	ALL
44380-0006	6	.389/9.88	4	ALL
44380-0013	8	.470/11.94	8	SEE NOTE #7
44380-0014	6	.389/9.88	6	SEE NOTE #7
44380-0015	6	.389/9.88	4	SEE NOTE #7
44380-2004	8	.470/11.94	8	ALL

QUALITY SYMBOLS	GENERAL TOLERANCES (UNLESS SPECIFIED)		DIMENSION STYLE		SCALE	DESIGN UNITS	THIRD ANGLE PROJECTION
	mm	INCH	IN/MM	DATE			
□=0 ▽=0 ▽=0	4 PLACES ±---	±---	DRAWN BY	DATE	4:1	INCH	INVERTED MODULAR JACK ASSEMBLY (MINI-PCI COMPLIANT)
	3 PLACES ±---	±---	CHECKED BY	DATE			
	2 PLACES ±---	±---	ROBERTS	1999/04/09			
	1 PLACE ±---	±---	ROBERTS	1999/04/09			
0 PLACE ±	±	APPROVED BY	DATE				
		ROBERTS	1999/04/09				
ANGULAR ±1/2°		MATERIAL NO.		DOCUMENT NO.		SHEET NO.	
DRAFT WHERE APPLICABLE MUST REMAIN WITHIN DIMENSIONS		SEE CHART		SD-44380-001		2 OF 5	
THIS DRAWING CONTAINS INFORMATION THAT IS PROPRIETARY TO MOLEX INCORPORATED AND SHOULD NOT BE USED WITHOUT WRITTEN PERMISSION							

- NOTES
- MATERIAL:
 - HOUSING: GLASS FILLED NYLON, 94V-0, COLOR: BLACK
 - TERMINALS: PHOSPHOR BRONZE, .015/(0.38) THK
 - LIGHTPIPE: POLYCARBONATE- WAVE OR HAND SOLDER ONLY (NOT DESIGNED FOR I/R REFLOW OR CONVECTION REFLOW SOLDER PROCESSES)
 - POLYSULFONE - MAXIMUM REFLOW TEMPERATURE: 400°F (205°C)
 - PLATING:
 - TERMINAL: SELECT GOLD IN CONTACT AREA: 50 MICRONS (1.27 MICROMETERS) MIN., SELECT TIN IN PC TAIL AREA: 100 MICRONS (2.54 MICROMETERS) MIN., WITH OVERALL NICKEL UNDERPLATE: 50 MICRONS (1.27 MICROMETERS) MIN.
 - PRODUCT SPECIFICATION:
 - CONNECTOR PERFORMANCE SPECIFICATIONS PER MOLEX PRODUCT SPECIFICATION PS-43860-003
 - PACKAGING:
 - PER PACKAGING SPECIFICATION PK-43860-004
 - APPLICATION SPECIFICATION: AS-43860-001.
 - ALL UNTOLERANCED DIMENSIONS ARE SHOWN FOR REFERENCE ONLY.
 - CONFORMS TO F.C.C. REGULATION PART 68.5 FOR MODULAR JACKS.
 - REFER TO PAGE (5) OF (5) FOR RECOMMENDED PCB LAYOUT.
 - THIS PART CONFORMS TO CLASS B REQUIREMENTS OF COSMETIC SPECIFICATION PS-45499-002.



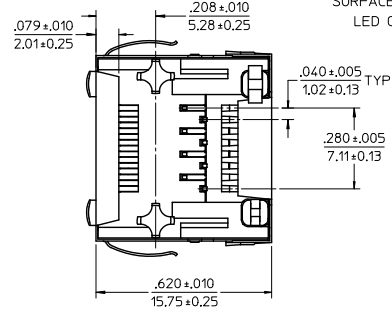
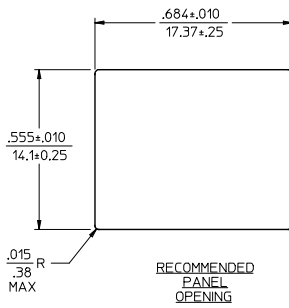
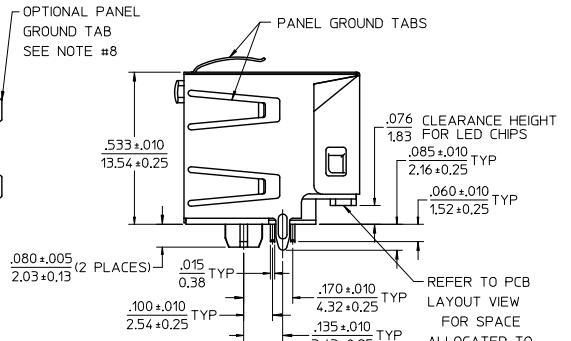
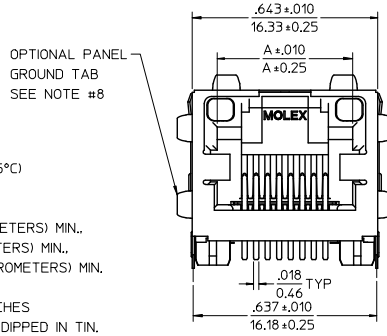
MATERIAL NUMBER	LIGHTPIPE MATERIAL	CONNECTOR SIZE	DIM. "A"	CIRCUITS
44380-0007	POLYCARBONATE	8	.470/11.94	8
44380-0008	POLYCARBONATE	6	.389/9.88	6
44380-0009	POLYCARBONATE	6	.389/9.88	4
44380-0020	POLYSULFONE	8	.470/11.94	8
44380-0021	POLYSULFONE	6	.389/9.88	6
44380-0022	POLYSULFONE	6	.389/9.88	4

REV	DESCRIPTION	DATE	BY
C2	SEE SHEET 1	2014/07/16	DRW:NGUYEN
		2014/07/16	CHKD:BELL
		2015/05/19	APPR:SMITH

GENERAL TOLERANCES (UNLESS SPECIFIED)		DIMENSION STYLE		SCALE	DESIGN UNITS	THIRD ANGLE PROJECTION
mm	INCH	IN/MM	DATE	4:1	INCH	
4 PLACES ±	±	MAYO	1999/04/09	INVERTED MODULAR JACK ASSEMBLY (MINI-PCI COMPLIANT) 		
3 PLACES ±	±	CHECKED BY	DATE			
2 PLACES ±	±	ROBERTS	1999/04/09			
1 PLACE ±	±	APPROVED BY	DATE			
0 PLACE ±	±	ROBERTS	1999/04/09	MATERIAL NO. SEE CHART DOCUMENT NO. SD-44380-001		SHEET NO. 3 OF 5
DRAFT WHERE APPLICABLE MUST REMAIN WITHIN DIMENSIONS						
THIS DRAWING CONTAINS INFORMATION THAT IS PROPRIETARY TO MOLEX INCORPORATED AND SHOULD NOT BE USED WITHOUT WRITTEN PERMISSION						

NOTES

- 1) MATERIAL:
 - HOUSING: GLASS FILLED NYLON, 94V-0, COLOR: BLACK
 - TERMINALS: PHOSPHOR BRONZE, .015/(0,38) THK
 - SHIELD: BRASS
 - LIGHTPIPE: POLYCARBONATE - WAVE OR HAND SOLDER ONLY (NOT DESIGNED FOR 1/R REFLOW OR CONVECTION REFLOW SOLDER PROCESSES) POLYSULFONE - MAXIMUM REFLOW TEMPERATURE: 400°F (205°C)
- 2) PLATING:
 - TERMINAL: SELECT GOLD IN CONTACT AREA: 50 MICRONS (1.27 MICROMETERS) MIN. SELECT TIN IN PC TAIL AREA: 100 MICRONS (2.54 MICROMETERS) MIN. WITH OVERALL NICKEL UNDERPLATE: 50 MICRONS (1.27 MICROMETERS) MIN.
 - SHIELD: 100 MICRONS (2.54 MICROMETERS) NICKEL OVER 50 MICRONS (1.27 MICROMETERS) COPPER UNDERPLATE; PCB GROUND TABS DIPPED IN TIN.
- 3) PRODUCT SPECIFICATION:
 - CONNECTOR PERFORMANCE SPECIFICATIONS PER MOLEX PRODUCT SPECIFICATION PS-43860-003.
- 4) PACKAGING:
 - CONNECTOR ASSEMBLIES IN THERMOFORMED TRAYS PER PACKAGING SPECIFICATION PK-44380-005.
- 5) APPLICATION SPECIFICATION: AS-43860-001.
- 6) ALL UNTOLERANCED DIMENSIONS ARE SHOWN FOR REFERENCE ONLY.
- 7) CONFORMS TO F.C.C. REGULATION PART 68.5 FOR MODULAR JACKS.
- 8) AVAILABLE WITH THE (2) SPECIFIED PANEL GROUND TABS OMITTED FOR SIDE TO SIDE STACKABILITY, PER THE ASSEMBLY MATERIAL NUMBER TABLE.
- 9) REFER TO SHEET (5) OF (5) FOR RECOMMENDED PCB LAYOUT.
- 10) THIS PART CONFORMS TO CLASS B REQUIREMENTS OF COSMETIC SPECIFICATION PS-45499-002.



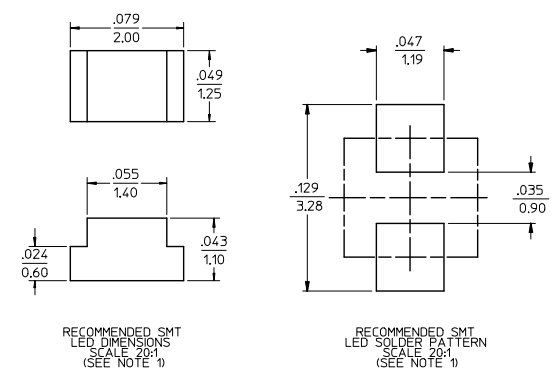
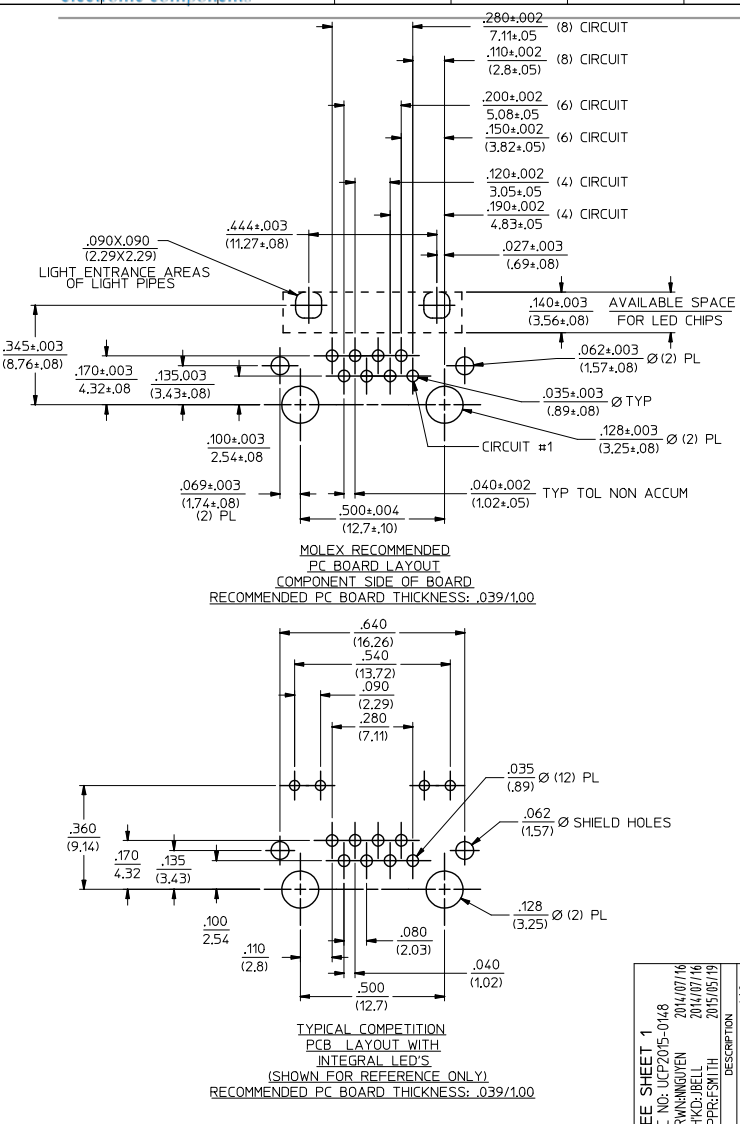
MATERIAL NUMBER	LIGHTPIPE MATERIAL	CONN SIZE	DIM. *A*	CIRCUITS	PANEL GROUND TABS
44380-0010	POLYCARBONATE	8	.470/11.94	8	ALL
44380-0011	POLYCARBONATE	6	.389/9.88	6	ALL
44380-0012	POLYCARBONATE	6	.389/9.88	4	ALL
44380-0016	POLYCARBONATE	8	.470/11.94	8	SEE NOTE #8
44380-0017	POLYCARBONATE	6	.389/9.88	6	SEE NOTE #8
44380-0018	POLYCARBONATE	6	.389/9.88	4	SEE NOTE #8
44380-1010	POLYSULFONE	8	.470/11.94	8	ALL
44380-1011	POLYSULFONE	6	.389/9.88	6	ALL
44380-1012	POLYSULFONE	6	.389/9.88	4	ALL
44380-1016	POLYSULFONE	8	.470/11.94	8	SEE NOTE #8
44380-1017	POLYSULFONE	6	.389/9.88	6	SEE NOTE #8
44380-1018	POLYSULFONE	6	.389/9.88	4	SEE NOTE #8

QUALITY SYMBOLS	GENERAL TOLERANCES (UNLESS SPECIFIED)	DIMENSION STYLE	SCALE	DESIGN UNITS	THIRD ANGLE PROJECTION																	
	<table border="1"> <thead> <tr> <th></th> <th>mm</th> <th>INCH</th> </tr> </thead> <tbody> <tr> <td>4 PLACES</td> <td>± .005</td> <td>± .0005</td> </tr> <tr> <td>3 PLACES</td> <td>± .008</td> <td>± .0010</td> </tr> <tr> <td>2 PLACES</td> <td>± .012</td> <td>± .0015</td> </tr> <tr> <td>1 PLACE</td> <td>± .015</td> <td>± .0020</td> </tr> <tr> <td>0 PLACE</td> <td>± .020</td> <td>± .0030</td> </tr> </tbody> </table>		mm	INCH	4 PLACES	± .005	± .0005	3 PLACES	± .008	± .0010	2 PLACES	± .012	± .0015	1 PLACE	± .015	± .0020	0 PLACE	± .020	± .0030	IN/MM	4:1	INCH
	mm	INCH																				
4 PLACES	± .005	± .0005																				
3 PLACES	± .008	± .0010																				
2 PLACES	± .012	± .0015																				
1 PLACE	± .015	± .0020																				
0 PLACE	± .020	± .0030																				
REV	APPROVED BY	DRAWN BY	DATE	TITLE																		
	ROBERTS	MAYO	1999/04/09	INVERTED MODULAR JACK ASSEMBLY (MINI-PCI COMPLIANT)																		
REV	APPROVED BY	CHECKED BY	DATE	molex																		
	ROBERTS	ROBERTS	1999/04/09	SD-44380-001																		
MATERIAL NO.		DOCUMENT NO.		SHEET NO.																		
SEE CHART		SEE CHART		4 OF 5																		
DRAFT WHERE APPLICABLE MUST REMAIN WITHIN DIMENSIONS																						
THIS DRAWING CONTAINS INFORMATION THAT IS PROPRIETARY TO MOLEX INCORPORATED AND SHOULD NOT BE USED WITHOUT WRITTEN PERMISSION																						

13 12 11 10 9 8 7 6 5 4 3 2 1

J
I
H
G
F
E
D
C
B
A

J
I
H
G
F
E
D
C
B
A



NOTES:
1. FOR CROSS REFERENCE OF RECOMMENDED LEDS SEE MOLEX WEB SITE.

TYPICAL COMPETITION PCB LAYOUT WITH INTEGRAL LED'S (SHOWN FOR REFERENCE ONLY) RECOMMENDED PC BOARD THICKNESS: .039/1.00

MOLEX RECOMMENDED PCB BOARD LAYOUT COMPONENT SIDE OF BOARD RECOMMENDED PC BOARD THICKNESS: .039/1.00

SEE SHEET 1 EC NO: UCP2015-0148 2014/07/16 DRAWING/EN CHKD: BELL 2014/07/16 APPROV: SMITH 2015/05/19 DESCRIPTION REV	QUALITY SYMBOLS	GENERAL TOLERANCES (UNLESS SPECIFIED)	DIMENSION STYLE	SCALE	DESIGN UNITS	THIRD ANGLE PROJECTION
	4 PLACES ± --- ± --- 3 PLACES ± --- ± --- 2 PLACES ± --- ± --- 1 PLACE ± --- ± --- 0 PLACE ± --- ± ---	mm INCH ± .015 ± .0005 ± .010 ± .0004 ± .008 ± .0003 ± .005 ± .0002	IN/MM DRAWN BY DATE MAYO 1999/04/09 CHECKED BY DATE ROBERTS 1999/04/09 APPROVED BY DATE ROBERTS 1999/04/09	IN/MM DATE 1999/04/09	4:1	INCH
ANGULAR ±1/2° DRAFT WHERE APPLICABLE MUST REMAIN WITHIN DIMENSIONS		MATERIAL NO. SEE CHART	DOCUMENT NO. SD-44380-001	mox SHEET NO. 5 OF 5		

1b_frame_C.P.AM.T Rev. G 2012/01/11 12 11 10 9 8 7 6 5 4 3 2 1