

## Excellent Integrated System Limited

Stocking Distributor

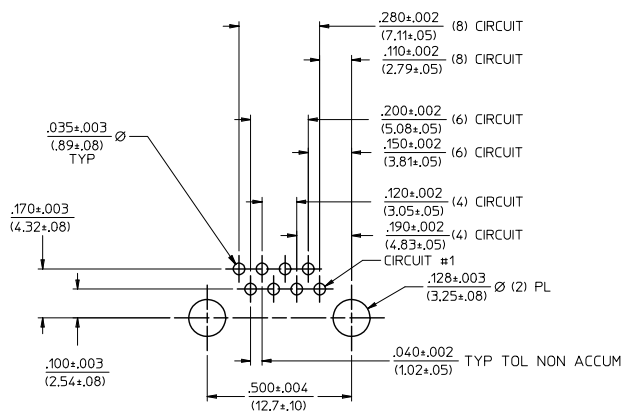
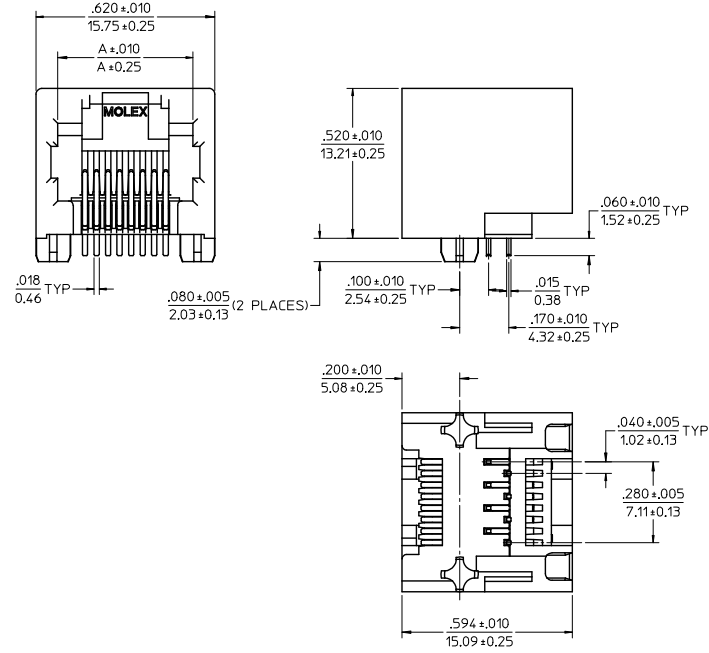
Click to view price, real time Inventory, Delivery & Lifecycle Information:

[Molex Connector Corporation](#)  
[0443801018](#)

For any questions, you can email us directly:  
[sales@integrated-circuit.com](mailto:sales@integrated-circuit.com)

NOTES

- 1) MATERIAL:  
HOUSING: GLASS FILLED NYLON, 94V-0 COLOR: BLACK  
TERMINALS: PHOSPHOR BRONZE, .015/(0.38) THICK  
SHIELD: BRASS
- 2) PLATING:  
TERMINALS:  
SELECT GOLD IN CONTACT AREA: 50 MICRONS (1.27 MICROMETERS) MIN.  
SELECT TIN IN PC TAIL AREA: 100 MICRONS (2.54 MICROMETERS) MIN.  
WITH OVERALL NICKEL UNDERPLATE: 50 MICRONS (1.27 MICROMETERS) MIN.
- 3) PRODUCT SPECIFICATION:  
CONNECTOR PERFORMANCE SPECIFICATIONS PER MOLEX  
PRODUCT SPECIFICATION PS-43860-003
- 4) PACKAGING OPTIONS:  
CONNECTOR ASSEMBLIES IN EXTRUDED TUBES  
PER PACKAGING SPECIFICATION PK-43860-004
- 5) ALL UNTOLERANCED DIMENSIONS ARE SHOWN FOR REFERENCE ONLY
- 6) CONFORMS TO F.C.C. REGULATION PART 68.5 FOR MODULAR JACKS.
- 7) THIS PART CONFORMS TO CLASS B REQUIREMENTS OF COSMETIC SPECIFICATION PS-45499-002.

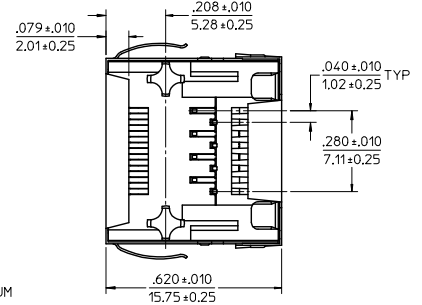
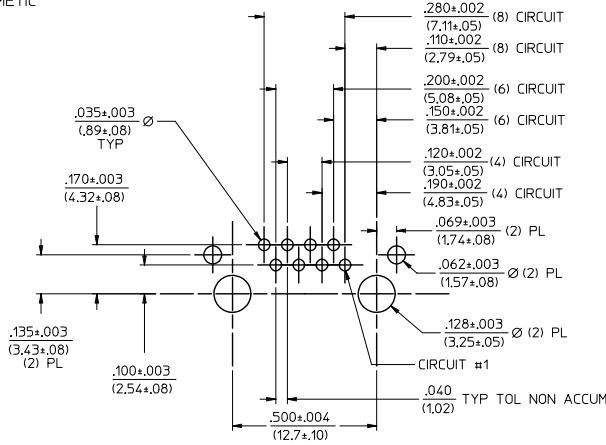
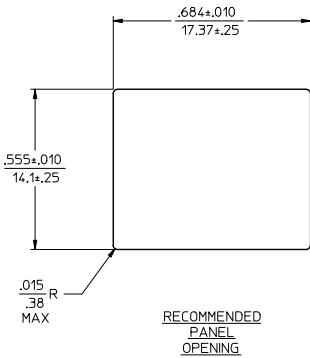
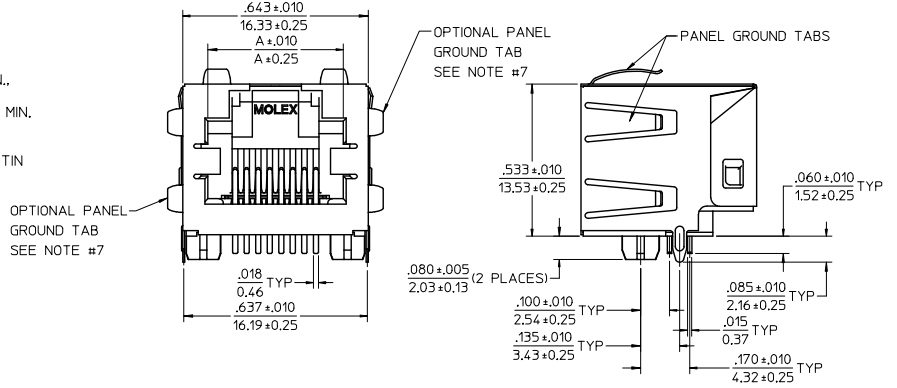


MATERIAL NUMBER	CONNECTOR SIZE	DIM. "A"	CIRCUITS
44380-0001	8	.470/11.94	8
44380-0002	6	.389/9.88	6
44380-0003	6	.389/9.88	4
44380-0019	8	.470/11.94	4

UPDATE VIEWS EC NO: UCP2015-0148 2014/07/16 DRAWING: NGUYEN 2014/07/16 CHKD: BELL 2015/05/19 APPR: SMITH 2015/05/19	QUALITY SYMBOLS ∇=0 ∇=0 ∇=0	GENERAL TOLERANCES (UNLESS SPECIFIED) mm INCH 4 PLACES ± --- ± --- 3 PLACES ± --- ± --- 2 PLACES ± --- ± --- 1 PLACE ± --- ± --- 0 PLACE ± --- ± ---	DIMENSION STYLE IN/MM DRAWN BY MAYO 1999/04/09 CHECKED BY ROBERTS 1999/04/09 APPROVED BY ROBERTS 1999/04/09	SCALE 4:1 DESIGN UNITS INCH THIRD ANGLE PROJECTION
		ANGULAR ±1/2° DRAFT WHERE APPLICABLE MUST REMAIN WITHIN DIMENSIONS	MATERIAL NO. SEE CHART DOCUMENT NO. SD-44380-001	TITLE INVERTED MODULAR JACK ASSEMBLY (MINI-PCI COMPLIANT)

NOTES

- 1) MATERIAL:  
HOUSING: GLASS FILLED NYLON, 94V-0 COLOR: BLACK  
TERMINALS: PHOSPHOR BRONZE, .015/(0.38) THICK  
SHIELD: BRASS
- 2) PLATING:  
TERMINALS:  
SELECT GOLD IN CONTACT AREA: 50 MICROINCHES (1.27 MICROMETERS) MIN.,  
SELECT TIN IN PC TAIL AREA: 100 MICROINCHES (2.54 MICROMETERS) MIN.,  
WITH OVERALL NICKEL UNDERPLATE: 50 MICROINCHES (1.27 MICROMETERS) MIN.  
SHIELD:  
100 MICROINCHES (2.54 MICROMETERS) NICKEL OVER 50 MICROINCHES  
(1.27 MICROMETERS) COPPER UNDERPLATE, PCB GROUND TABS DIPPED IN TIN
- 3) PRODUCT SPECIFICATION:  
CONNECTOR PERFORMANCE SPECIFICATIONS PER MOLEX  
PRODUCT SPECIFICATION PS-43860-003
- 4) PACKAGING OPTIONS:  
CONNECTOR ASSEMBLIES IN THERMOFORMED TRAYS  
PER PACKAGING SPECIFICATION PK-44380-005  
OPTION (44380-2004) PACKAGED IN TAPE AND REEL
- 5) ALL UNTOLERANCED DIMENSIONS ARE SHOWN FOR REFERENCE ONLY
- 6) CONFORMS TO F.C.C. REGULATION PART 68.5 FOR MODULAR JACKS
- 7) AVAILABLE WITH THE (2) SPECIFIED PANEL GROUND TABS OMITTED FOR SIDE TO SIDE STACKABILITY, PER THE ASSEMBLY MATERIAL NUMBER TABLE.
- 8) THIS PART CONFORMS TO CLASS B REQUIREMENTS OF COSMETIC SPECIFICATION PS-45499-002.

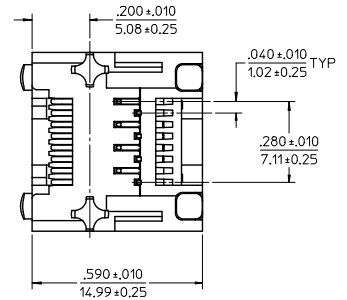
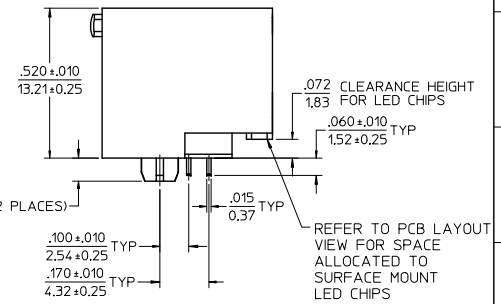
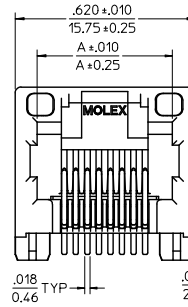


PC BOARD LAYOUT  
COMPONENT SIDE OF BOARD  
RECOMMENDED PC BOARD THICKNESS: .039/1.00

MATERIAL NUMBER	CONNECTOR SIZE	DIM. "A"	CIRCUITS	PANEL GROUND TABS
44380-0004	8	.470/11.94	8	ALL
44380-0005	6	.389/9.88	6	ALL
44380-0006	6	.389/9.88	4	ALL
44380-0013	8	.470/11.94	8	SEE NOTE #7
44380-0014	6	.389/9.88	6	SEE NOTE #7
44380-0015	6	.389/9.88	4	SEE NOTE #7
44380-2004	8	.470/11.94	8	ALL

SEE SHEET 1 IEC NO: UC/2015-0148 2014/07/16 DRAWING: NGUYEN 2014/07/16 CHKD: BELL 2015/05/19 APPR: SMITH 2015/05/19	QUALITY SYMBOLS □=0 □=0 □=0	GENERAL TOLERANCES (UNLESS SPECIFIED) mm INCH 4 PLACES ± --- ± --- 3 PLACES ± --- ± --- 2 PLACES ± --- ± --- 1 PLACE ± --- ± --- 0 PLACE ± --- ± ---	DIMENSION STYLE IN/MM DRAWN BY DATE MAYO 1999/04/09 CHECKED BY DATE ROBERTS 1999/04/09 APPROVED BY DATE ROBERTS 1999/04/09	SCALE 4:1 DESIGN UNITS INCH THIRD ANGLE PROJECTION	TITLE INVERTED MODULAR JACK ASSEMBLY (MINI-PCI COMPLIANT)
		ANGULAR ±1/2° DRAFT WHERE APPLICABLE MUST REMAIN WITHIN DIMENSIONS	MATERIAL NO. SEE CHART SIZE C	DOCUMENT NO. SD-44380-001	SHEET NO. 2 OF 5

- NOTES
- MATERIAL: HOUSING: GLASS FILLED NYLON, 94V-0, COLOR: BLACK  
TERMINALS: PHOSPHOR BRONZE, .015/(0.38) THK  
LIGHTPIPE: POLYCARBONATE- WAVE OR HAND SOLDER ONLY (NOT DESIGNED FOR I/R REFLOW OR CONVECTION REFLOW SOLDER PROCESSES)  
POLYSULFONE - MAXIMUM REFLOW TEMPERATURE: 400°F (205°C)
  - PLATING: TERMINAL: SELECT GOLD IN CONTACT AREA: 50 MICRONS (1.27 MICROMETERS) MIN., SELECT TIN IN PC TAIL AREA: 100 MICRONS (2.54 MICROMETERS) MIN., WITH OVERALL NICKEL UNDERPLATE: 50 MICRONS (1.27 MICROMETERS) MIN.
  - PRODUCT SPECIFICATION: CONNECTOR PERFORMANCE SPECIFICATIONS PER MOLEX  
PRODUCT SPECIFICATION PS-43860-003
  - PACKAGING: PER PACKAGING SPECIFICATION PK-43860-004
  - APPLICATION SPECIFICATION: AS-43860-001.
  - ALL UNTOLERANCED DIMENSIONS ARE SHOWN FOR REFERENCE ONLY.
  - CONFORMS TO F.C.C. REGULATION PART 68.5 FOR MODULAR JACKS.
  - REFER TO PAGE (5) OF (5) FOR RECOMMENDED PCB LAYOUT.
  - THIS PART CONFORMS TO CLASS B REQUIREMENTS OF COSMETIC SPECIFICATION PS-45499-002.



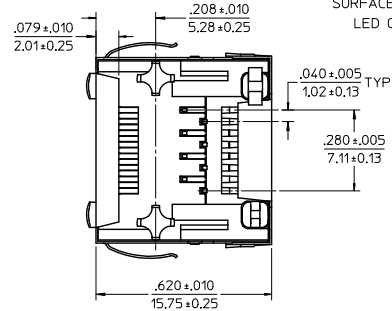
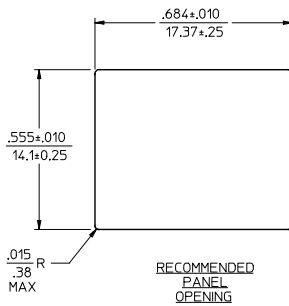
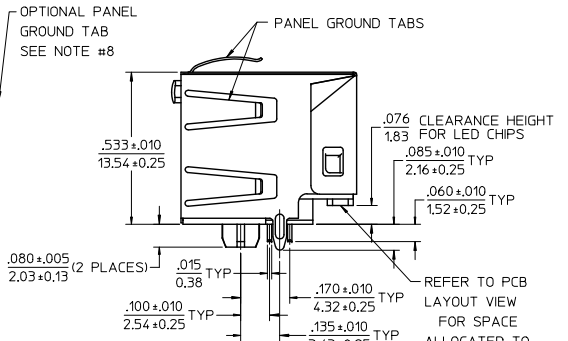
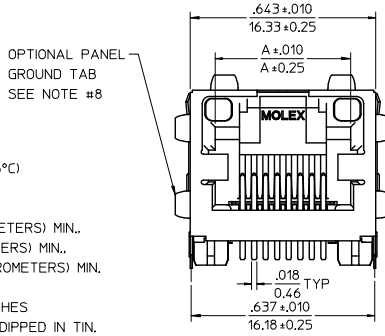
MATERIAL NUMBER	LIGHTPIPE MATERIAL	CONNECTOR SIZE	DIM. "A"	CIRCUITS
44380-0007	POLYCARBONATE	8	.470/11.94	8
44380-0008	POLYCARBONATE	6	.389/9.88	6
44380-0009	POLYCARBONATE	6	.389/9.88	4
44380-0020	POLYSULFONE	8	.470/11.94	8
44380-0021	POLYSULFONE	6	.389/9.88	6
44380-0022	POLYSULFONE	6	.389/9.88	4

REV	DESCRIPTION	DATE
C2	SEE SHEET 1	2014/07/16
	DRW: NGUYEN	2014/07/16
	CHKD: BELL	2014/07/16
	APPR: SMITH	2015/05/19

QUALITY SYMBOLS	GENERAL TOLERANCES (UNLESS SPECIFIED)	DIMENSION STYLE	SCALE	DESIGN UNITS	THIRD ANGLE PROJECTION
▽=0	mm INCH	IN/MM	4:1	INCH	THIRD ANGLE PROJECTION
▽=0	4 PLACES ± --- ± ---	DRAWN BY DATE	TITLE INVERTED MODULAR JACK ASSEMBLY (MINI-PCI COMPLIANT) 		
▽=0	3 PLACES ± --- ± ---	MAYO 1999/04/09			
▽=0	2 PLACES ± --- ± ---	CHECKED BY DATE			
▽=0	1 PLACE ± --- ± ---	ROBERTS 1999/04/09			
▽=0	0 PLACE ± --- ± ---	APPROVED BY DATE	MATERIAL NO. DOCUMENT NO. SHEET NO. SEE CHART SD-44380-001 3 OF 5 THIS DRAWING CONTAINS INFORMATION THAT IS PROPRIETARY TO MOLEX INCORPORATED AND SHOULD NOT BE USED WITHOUT WRITTEN PERMISSION		

NOTES

- 1) MATERIAL:
  - HOUSING: GLASS FILLED NYLON, 94V-0, COLOR: BLACK
  - TERMINALS: PHOSPHOR BRONZE, .015/(0,38) THK
  - SHIELD: BRASS
  - LIGHTPIPE: POLYCARBONATE - WAVE OR HAND SOLDER ONLY (NOT DESIGNED FOR 1/R REFLOW OR CONVECTION REFLOW SOLDER PROCESSES) POLYSULFONE - MAXIMUM REFLOW TEMPERATURE: 400°F (205°C)
- 2) PLATING:
  - TERMINAL: SELECT GOLD IN CONTACT AREA: 50 MICRONS (1.27 MICROMETERS) MIN. SELECT TIN IN PC TAIL AREA: 100 MICRONS (2.54 MICROMETERS) MIN. WITH OVERALL NICKEL UNDERPLATE: 50 MICRONS (1.27 MICROMETERS) MIN.
  - SHIELD: 100 MICRONS (2.54 MICROMETERS) NICKEL OVER 50 MICRONS (1.27 MICROMETERS) COPPER UNDERPLATE; PCB GROUND TABS DIPPED IN TIN.
- 3) PRODUCT SPECIFICATION:
  - CONNECTOR PERFORMANCE SPECIFICATIONS PER MOLEX PRODUCT SPECIFICATION PS-43860-003.
- 4) PACKAGING:
  - CONNECTOR ASSEMBLIES IN THERMOFORMED TRAYS PER PACKAGING SPECIFICATION PK-44380-005 .
- 5) APPLICATION SPECIFICATION: AS-43860-001.
- 6) ALL UNTOLERANCED DIMENSIONS ARE SHOWN FOR REFERENCE ONLY.
- 7) CONFORMS TO F.C.C. REGULATION PART 68.5 FOR MODULAR JACKS.
- 8) AVAILABLE WITH THE (2) SPECIFIED PANEL GROUND TABS OMITTED FOR SIDE TO SIDE STACKABILITY, PER THE ASSEMBLY MATERIAL NUMBER TABLE.
- 9) REFER TO SHEET (5) OF (5) FOR RECOMMENDED PCB LAYOUT.
- 10) THIS PART CONFORMS TO CLASS B REQUIREMENTS OF COSMETIC SPECIFICATION PS-45499-002.

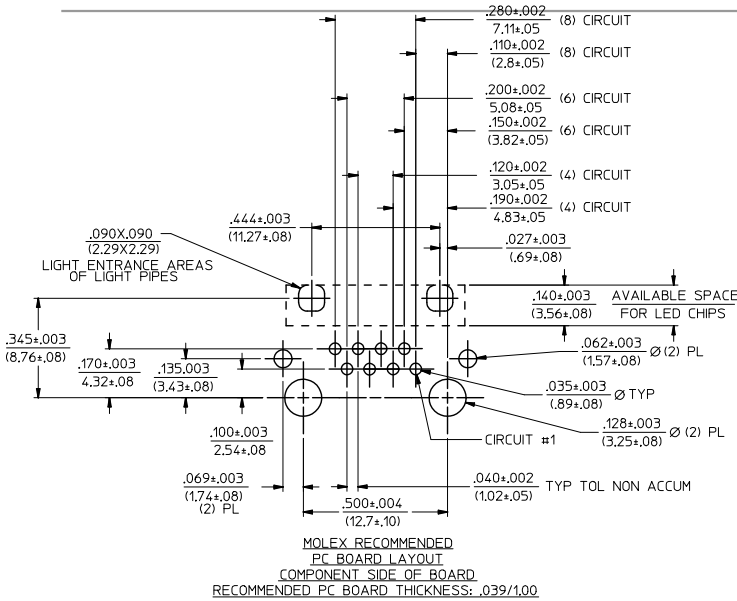


MATERIAL NUMBER	LIGHTPIPE MATERIAL	CONN SIZE	DIM. *A*	CIRCUITS	PANEL GROUND TABS
44380-0010	POLYCARBONATE	8	.470/11.94	8	ALL
44380-0011	POLYCARBONATE	6	.389/9.88	6	ALL
44380-0012	POLYCARBONATE	6	.389/9.88	4	ALL
44380-0016	POLYCARBONATE	8	.470/11.94	8	SEE NOTE #8
44380-0017	POLYCARBONATE	6	.389/9.88	6	SEE NOTE #8
44380-0018	POLYCARBONATE	6	.389/9.88	4	SEE NOTE #8
44380-1010	POLYSULFONE	8	.470/11.94	8	ALL
44380-1011	POLYSULFONE	6	.389/9.88	6	ALL
44380-1012	POLYSULFONE	6	.389/9.88	4	ALL
44380-1016	POLYSULFONE	8	.470/11.94	8	SEE NOTE #8
44380-1017	POLYSULFONE	6	.389/9.88	6	SEE NOTE #8
44380-1018	POLYSULFONE	6	.389/9.88	4	SEE NOTE #8

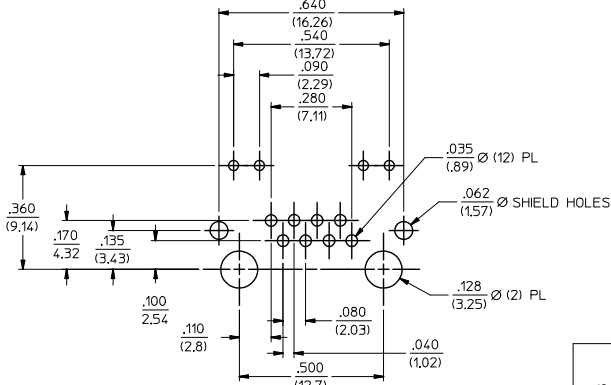
QUALITY SYMBOLS ▽=0 ▽=0 ▽=0	GENERAL TOLERANCES (UNLESS SPECIFIED) mm INCH 4 PLACES ± --- ± --- 3 PLACES ± --- ± --- 2 PLACES ± --- ± --- 1 PLACE ± --- ± --- 0 PLACE ± ±	DIMENSION STYLE IN/MM DRAWN BY DATE MAYO 1999/04/09 CHECKED BY DATE ROBERTS 1999/04/09 APPROVED BY DATE ROBERTS 1999/04/09	SCALE 4:1	DESIGN UNITS INCH	THIRD ANGLE PROJECTION	TITLE INVERTED MODULAR JACK ASSEMBLY (MINI-PCI COMPLIANT)	molex	MATERIAL NO. SEE CHART	DOCUMENT NO. SD-44380-001	SHEET NO. 4 OF 5

J  
I  
H  
G  
F  
E  
D  
C  
B  
A

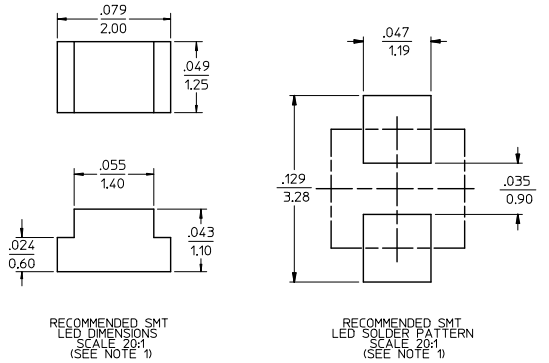
J  
I  
H  
G  
F  
E  
D  
C  
B  
A



MOLEX RECOMMENDED PCB BOARD LAYOUT COMPONENT SIDE OF BOARD RECOMMENDED PCB BOARD THICKNESS: .039/1.00



TYPICAL COMPETITION PCB LAYOUT WITH INTEGRAL LED'S (SHOWN FOR REFERENCE ONLY) RECOMMENDED PCB BOARD THICKNESS: .039/1.00



RECOMMENDED SMT LED DIMENSIONS SCALE 20:1 (SEE NOTE 1)

RECOMMENDED SMT LED SOLDER PATTERN SCALE 20:1 (SEE NOTE 1)

NOTES:  
1. FOR CROSS REFERENCE OF RECOMMENDED LEDS SEE MOLEX WEB SITE.

SEE SHEET 1 EC NO: UCP2015-0148 DRAWING/REV: 2014/07/16 CHKD: BELL APPR: SMITH 2015/05/19	QUALITY SYMBOLS ∇=0 ∇=0 ∇=0	GENERAL TOLERANCES (UNLESS SPECIFIED)		DIMENSION STYLE IN/MM		SCALE 4:1	DESIGN UNITS INCH	THIRD ANGLE PROJECTION
		4 PLACES ± --- ± --- 3 PLACES ± --- ± --- 2 PLACES ± --- ± --- 1 PLACE ± --- ± --- 0 PLACE ± --- ± ---	mm INCH	DRAWN BY MAYO CHECKED BY ROBERTS APPROVED BY ROBERTS	DATE 1999/04/09 DATE 1999/04/09 DATE 1999/04/09	TITLE INVERTED MODULAR JACK ASSEMBLY (MINI-PCI COMPLIANT)		MATERIAL NO. SD-44380-001
DRAFT WHERE APPLICABLE MUST REMAIN WITHIN DIMENSIONS		ANGULAR ±1/2°		SEE CHART		THIS DRAWING CONTAINS INFORMATION THAT IS PROPRIETARY TO MOLEX INCORPORATED AND SHOULD NOT BE USED WITHOUT WRITTEN PERMISSION		