

## Excellent Integrated System Limited

Stocking Distributor

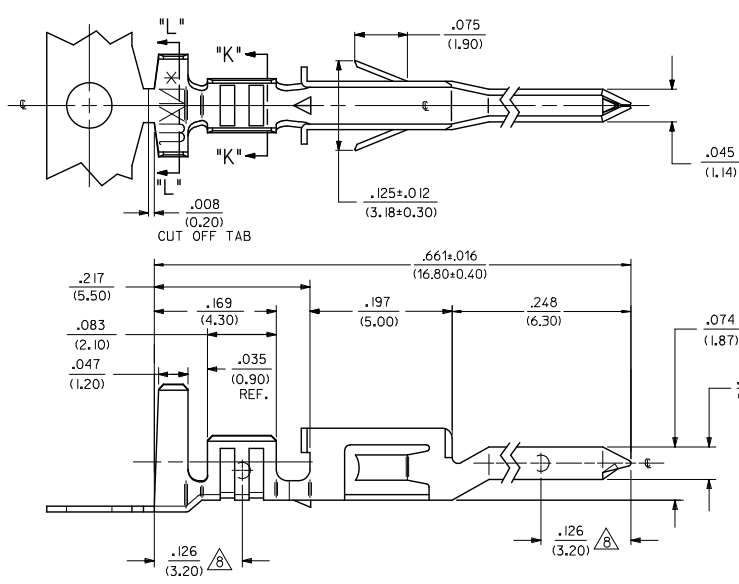
Click to view price, real time Inventory, Delivery & Lifecycle Information:

[Molex Connector Corporation](#)  
[0460123142](#)

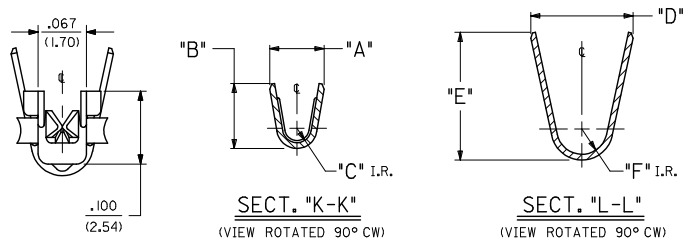
For any questions, you can email us directly:

[sales@integrated-circuit.com](mailto:sales@integrated-circuit.com)

ITEM NO.	FORM	WIRE GAGE	RANGE OF INSULATION DIA.	DIM. "A"	DIM. "B"	DIM. "C"	DIM. "D"	DIM. "E"	DIM. "F"	FINISH (SEE NOTE 2)
46012-1141	CHAIN	18-20 GA.	.051-.122 (1.30-3.10)	.075±.012 (1.90±.30)	.091±.016 (2.30±.40)	.020 (.50)	.142±.012 (3.60±.30)	.177±.016 (4.50±.40)	.035 (.90)	FINISH 1 - BRIGHT TIN OVER NICKEL
46012-1142	LOOSE			.091±.012 (2.30±.30)	.106±.016 (2.70±.40)	.024 (.60)	.142±.012 (3.60±.30)	.177±.016 (4.50±.40)	.035 (.90)	
46012-3141	CHAIN	16 GA.	.122 (3.10) MAX.	.075±.012 (1.90±.30)	.091±.016 (2.30±.40)	.020 (.50)	.142±.012 (3.60±.30)	.177±.016 (4.50±.40)	.035 (.90)	FINISH 2 - SEL. GOLD AND SEL. MATTE TIN OVER NICKEL
46012-3142	LOOSE			.091±.012 (2.30±.30)	.106±.016 (2.70±.40)	.024 (.60)	.142±.012 (3.60±.30)	.177±.016 (4.50±.40)	.035 (.90)	
46012-1241	CHAIN	18-20 GA.	.051-.122 (1.30-3.10)	.075±.012 (1.90±.30)	.091±.016 (2.30±.40)	.020 (.50)	.142±.012 (3.60±.30)	.177±.016 (4.50±.40)	.035 (.90)	FINISH 2 - SEL. GOLD AND SEL. MATTE TIN OVER NICKEL
46012-1242	LOOSE			.091±.012 (2.30±.30)	.106±.016 (2.70±.40)	.024 (.60)	.142±.012 (3.60±.30)	.177±.016 (4.50±.40)	.035 (.90)	
46012-3241	CHAIN	16 GA.	.122 (3.10) MAX.	.075±.012 (1.90±.30)	.091±.016 (2.30±.40)	.020 (.50)	.142±.012 (3.60±.30)	.177±.016 (4.50±.40)	.035 (.90)	FINISH 2 - SEL. GOLD AND SEL. MATTE TIN OVER NICKEL
46012-3242	LOOSE			.091±.012 (2.30±.30)	.106±.016 (2.70±.40)	.024 (.60)	.142±.012 (3.60±.30)	.177±.016 (4.50±.40)	.035 (.90)	



- NOTES:
- MATERIAL:  
COPPER ALLOY .0080/(.203) THICK.
  - FINISH:  
1= .000100/(0.00254) MIN. BRIGHT TIN OVER .000050/(0.00127) MIN NICKEL OVERALL.  
2= .000030/(0.00076) MIN SELECT GOLD IN CONTACT AREA AND .000100/(0.00254) MIN SELECT MATTE TIN IN CRIMP AREA OVER .000050/(0.00127) MIN NICKEL OVERALL.  
GOLD PLATING RECOMMENDED FOR APPLICATIONS WHERE FRETTING CORROSION IS A CONCERN.
  - PRODUCT SPECIFICATION: PS-45750-001
  - PACKAGING SPECIFICATION: PK-46012-001 FOR CHAIN TERMINALS  
PK-5556-003 FOR LOOSE TERMINALS.
  - TERMINAL MATES WITH FEMALE TERMINAL SERIES 45750 AND IS FOR USE WITH MOLEX PLUG HOUSINGS 5559, 42475, 43770 AND 30068.
  - THIS TERMINAL IS DESIGNED FOR SINGLE WIRE CRIMPING.
  - WHEN TERMINALS ARE INSTALLED IN THE HOUSINGS, THE WIRES ARE TO BE DRESSED IN SUCH A MANNER TO ALLOW THE TERMINALS TO FLOAT FREELY IN THE POCKETS.



**LEGEND:**

46012 - \* \* \* 4 \*

BASE NO. \_\_\_\_\_

WIRE GAGE \_\_\_\_\_

1= 18-20  
3= 16

CHAIN OR LOOSE \_\_\_\_\_

1= CHAIN  
2= LOOSE

PLATING \_\_\_\_\_

1= TIN  
2= GOLD

<b>UPDATE NOTE 5</b> EC NO: UCP2014-4406 DRAWN: J.BELL 2014/04/24 CHKD: J.BELL 2014/04/24 APPR: S.MITH 2015/07/17 DESCRIPTION: _____ REV: _____	QUALITY SYMBOLS	GENERAL TOLERANCES (UNLESS SPECIFIED)	DIMENSION STYLE	SCALE	DESIGN UNITS	THIRD ANGLE PROJECTION	
	▽=0	4 PLACES ± --- INCH	IN/MM				
	▽=0	3 PLACES ± --- ± .010	DRAWN BY: T.GREGOR   DATE: 2005/07/28	TITLE: TERM., MALE, CRIMP MINI-FIT JR. HCS PLUS SERIES			
	▽=0	2 PLACES ± 0.25 ± .015	CHECKED BY: G.POLGAR   DATE: 2005/07/28				
		1 PLACE ± 0.38 ± ---	APPROVED BY: J.COMERC   DATE: 2005/07/28	MATERIAL NO.	DOCUMENT NO.	SHEET NO.	
		0 PLACE ± ---		SEE CHART	SD-46012-001	1 OF 1	
		ANGULAR ± 1/2°		THIS DRAWING CONTAINS INFORMATION THAT IS PROPRIETARY TO MOLEX INCORPORATED AND SHOULD NOT BE USED WITHOUT WRITTEN PERMISSION			
		DRAFT WHERE APPLICABLE MUST REMAIN WITHIN DIMENSIONS					