

Excellent Integrated System Limited

Stocking Distributor

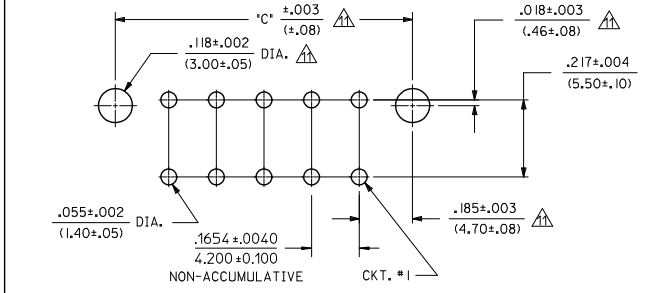
Click to view price, real time Inventory, Delivery & Lifecycle Information:

[Molex Connector Corporation](#)
[0460150802](#)

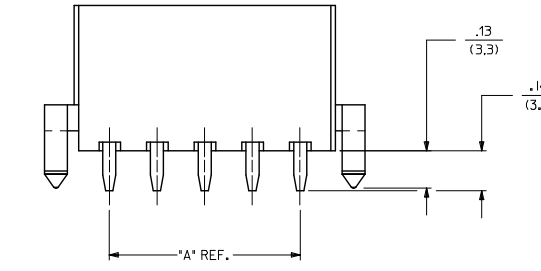
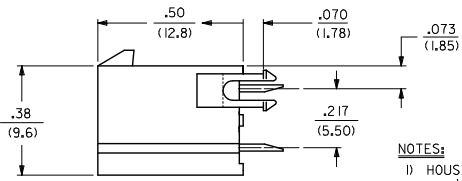
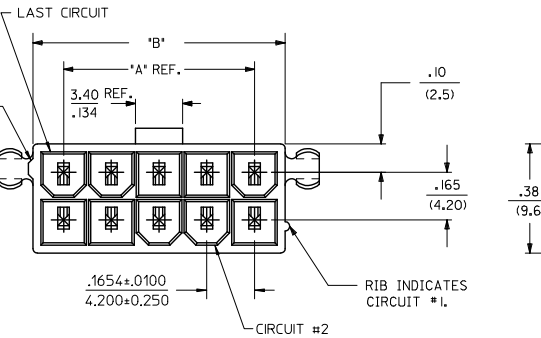
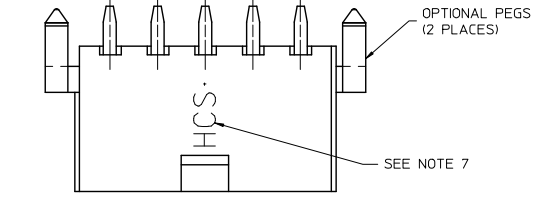
For any questions, you can email us directly:

sales@integrated-circuit.com

CIRCUIT SIZE	DIM. 'A'	DIM. 'B'	DIM. 'C'
2	—	.21 (5.4)	.370 (9.40)
4	.17 (4.2)	.38 (9.6)	.535 (13.60)
6	.33 (8.4)	.54 (13.8)	.701 (17.80)
8	.50 (12.6)	.71 (18.0)	.866 (22.00)
10	.66 (16.8)	.87 (22.2)	1.031 (26.20)
12	.83 (21.0)	1.04 (26.4)	1.197 (30.40)
14	.99 (25.2)	1.20 (30.6)	1.362 (34.60)
16	1.16 (29.4)	1.37 (34.8)	1.528 (38.80)
18	1.32 (33.6)	1.54 (39.0)	1.693 (43.00)
20	1.49 (37.8)	1.70 (43.2)	1.858 (47.20)
22	1.65 (42.0)	1.87 (47.4)	2.024 (51.40)
24	1.82 (46.2)	2.03 (51.6)	2.189 (55.60)



RECOMMENDED HOLE LAYOUT FOR .070/(1.78) MAX. THICK P. C. BOARD



- NOTES:**
- HOUSING MATERIAL:
V-2 = NYLON 6/6, UNFILLED U.L. 94V-2, COLOR: NATURAL.
V-0 = NYLON 6/6, UNFILLED U.L. 94V-0, COLOR: NATURAL.
GW V-0 = NYLON UL94V-0, COLOR: BLACK
IEC 60335-1 4TH EDITION GLOW WIRE CAPABLE
TERMINAL MATERIAL: COPPER ALLOY.
 - TERMINAL PLATING:
TIN = .000100/(.00254) MIN. MATTE TIN OVER .000050/(.00127) MIN. NICKEL OVERALL
GOLD = .000030/(.00080) MIN. SELECT GOLD, .000100/(.00254) MIN. MATTE TIN OVER .000050/(.00127) MIN. NICKEL OVERALL
 - PRODUCT SPECIFICATION: PS-45750-001
 - PACKAGING SPECIFICATION: PK-5566-001.
 - PART MATES WITH MINI-FIT JR. RECEPTACLE NO. 5557.
 - PART ARE NOT TO BE MATED OR UN-MATED WHILE CIRCUITS ARE LIVE.
 - PARTS TO HAVE "HCS" MARKING
 - PART CONFORMS TO CLASS B OF COSMETIC SPECIFICATION PS-45499-002 WITH THE EXCEPTION OF DISCOLORATION, FLASH, AND SINK MEET CLASS "C" REQUIREMENTS.
 - PART IS NOT DESIGNED FOR CURRENT SHARING.
 - ANTI-SHINGLING RIB MAY OR MAY NOT APPEAR ON HOUSINGS.
- ▲ LOCATION OF .118/3.00 DIAMETER HOLES ON P.C. BOARD IS FOR OPTIONAL PEGS.

ADD NOTE 11 EC NO: UCP2014-4789 2014/06/02 DRAWN: JBOX CHKD: BELL APPR: SMITH 2014/06/23	QUALITY SYMBOLS ▽=0 ▽=0 ▽=0	GENERAL TOLERANCES (UNLESS SPECIFIED)		DIMENSION STYLE IN/MM		SCALE 4:1	DESIGN UNITS METRIC	THIRD ANGLE PROJECTION	
		mm	INCH	DRAWN BY T GREGORI	DATE 2006/04/27	TITLE VERTICAL HEADER ASSEMBLY DUAL ROW MINI-FIT PLUS HCS SERIES			
REV C4	DESCRIPTION	4 PLACES ±---	±---	CHECKED BY JCOMERC I	DATE	DOCUMENT NO. SD-46015-001			
		3 PLACES ±---	±.010	APPROVED BY F SMITH	DATE 2010/04/09				
		2 PLACES ±0.25	±.020	MATERIAL NO.		SHEET NO. 1 OF 2			
		1 PLACE ±0.50	±---	DRAFT WHERE APPLICABLE MUST REMAIN WITHIN DIMENSIONS		THIS DRAWING CONTAINS INFORMATION THAT IS PROPRIETARY TO MOLEX INCORPORATED AND SHOULD NOT BE USED WITHOUT WRITTEN PERMISSION			
		0 PLACE ±---	±---	SIZE C					



Distributor of Molex Connector Corporation: Excellent Integrated System Limited

Datasheet of 0460150802 - MF+ HCS VERT HDR DR 8CKT V-0 TIN

Contact us: sales@integrated-circuit.com Website: www.integrated-circuit.com

ITEM NO.	CKT SIZE	HOUSING MATERIAL	PEGS	PLATING	ITEM NO.	CKT SIZE	HOUSING MATERIAL	PEGS	PLATING												
46015-0202	2	V-0	NO	TIN	46015-1402	14	V-0	NO	TIN												
46015-0203			YES		46015-1403			YES													
46015-0206		V-2	NO		GOLD		46015-1406	16		V-2	NO	GOLD									
46015-0207			YES				46015-1407				YES										
46015-0211		GW V-0	YES				TIN			46015-1409	18		V-0	YES	TIN						
46015-0209			YES							46015-1412				NO							
46015-0210		GW V-0	YES							GOLD			46015-1602	20		V-0	NO	GOLD			
46015-0212			NO										46015-1603				YES				
46015-0402		V-0	NO										TIN			46015-1606	22		V-2	NO	GOLD
46015-0403			YES													46015-1607				YES	
46015-0406	V-2	NO	GOLD	46015-1609		24			V-0							YES			GOLD		
46015-0407		YES		46015-1612												NO					
46015-0411	GW V-0	YES		TIN	46015-1802			28	V-0			NO				TIN					
46015-0409		YES			46015-1803							YES									
46015-0410	GW V-0	YES			GOLD		46015-1806		30		V-2	NO			GOLD						
46015-0412		NO					46015-1807					YES									
46015-0602	V-0	NO					TIN			46015-1809	32	V-0		YES				GOLD			
46015-0603		YES								46015-1812				NO							
46015-0606	V-2	NO								GOLD		46015-2002	36	V-0			NO			GOLD	
46015-0607		YES										46015-2003					YES				
46015-0611	GW V-0	YES	TIN			46015-2006						40		V-2			NO		GOLD		
46015-0609		YES				46015-2007											YES				
46015-0610	GW V-0	YES		GOLD		46015-2009		44						V-0		YES	GOLD				
46015-0612		NO				46015-2012										NO					
46015-0802	V-0	NO			TIN	46015-2202			48					V-0	NO	TIN					
46015-0803		YES				46015-2203									YES						
46015-0806	V-2	NO				GOLD	46015-2206				52			V-2	NO			GOLD			
46015-0807		YES					46015-2207								YES						
46015-0811	GW V-0	YES					GOLD			46015-2209			56	V-0	YES					GOLD	
46015-0809		YES								46015-2212					NO						
46015-0810	GW V-0	YES	TIN							46015-2402		60		V-0	NO				TIN		
46015-0812		NO								46015-2403					YES						
46015-1002	V-0	NO		GOLD				46015-2406		64				V-2	NO		GOLD				
46015-1003		YES						46015-2407							YES						
46015-1006	V-2	NO			GOLD			46015-2409	68					V-0	YES	GOLD					
46015-1007		YES						46015-2412							NO						
46015-1011	GW V-0	YES				GOLD															
46015-1009		YES																			
46015-1010	GW V-0	YES					TIN														
46015-1012		NO																			
46015-1202	V-0	NO	TIN																		
46015-1203		YES																			
46015-1206	V-2	NO		GOLD																	
46015-1207		YES																			
46015-1211	GW V-0	YES			GOLD																
46015-1209		YES																			
46015-1210	GW V-0	YES				GOLD															
46015-1212		NO																			

SEE SHEET 1 EC NO: UCP2014-4789 DRAWN: JFOX 2014/06/02 CHKD: BELL 2014/06/02 APPR: SMITH 2014/06/23	QUALITY SYMBOLS ∇=0 ∇=0 ∇=0	GENERAL TOLERANCES (UNLESS SPECIFIED)		DIMENSION STYLE		SCALE	DESIGN UNITS	THIRD ANGLE PROJECTION	
				IN/MM		1:1	METRIC		
		4 PLACES	±---	±---	DRAWN BY	DATE	TITLE		
		3 PLACES	±---	±.010	TGREGOR I	2006/04/27	VERTICAL HEADER ASSEMBLY DUAL ROW MINI-FIT PLUS HCS SERIES		
2 PLACES	±0.25	±.020	CHECKED BY	DATE	molex				
1 PLACE	±0.50	±---	JCOMERC I	DATE					
0 PLACE	±---	±---	APPROVED BY	DATE	DOCUMENT NO.				
		ANGULAR ±1/2°		SMITH	2010/04/09	SD-46015-001			
DRAFT WHERE APPLICABLE MUST REMAIN WITHIN DIMENSIONS		SEE CHART		MATERIAL NO.		SHEET NO.		2 OF 2	
THIS DRAWING CONTAINS INFORMATION THAT IS PROPRIETARY TO MOLEX INCORPORATED AND SHOULD NOT BE USED WITHOUT WRITTEN PERMISSION									