

Excellent Integrated System Limited

Stocking Distributor

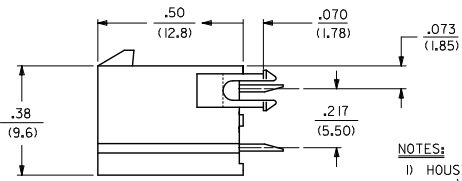
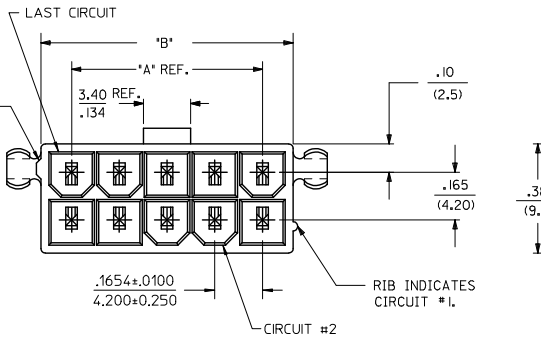
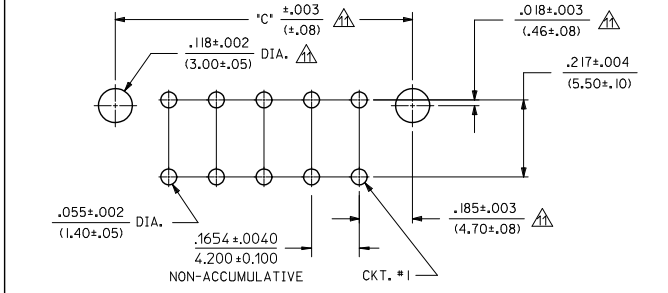
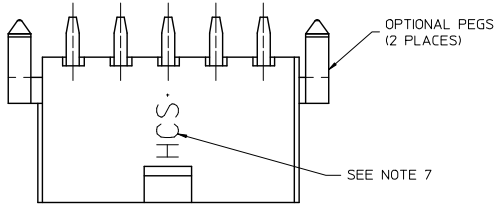
Click to view price, real time Inventory, Delivery & Lifecycle Information:

[Molex Connector Corporation](#)
[0460150806](#)

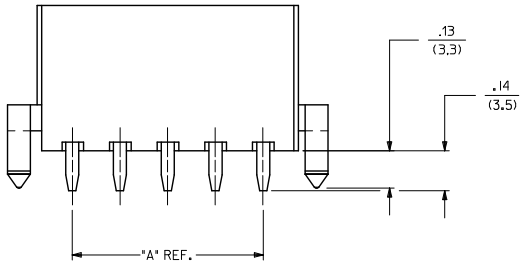
For any questions, you can email us directly:

sales@integrated-circuit.com

CIRCUIT SIZE	DIM. 'A'	DIM. 'B'	DIM. 'C'
2	—	.21 (5.4)	.370 (9.40)
4	.17 (4.2)	.38 (9.6)	.535 (13.60)
6	.33 (8.4)	.54 (13.8)	.701 (17.80)
8	.50 (12.6)	.71 (18.0)	.866 (22.00)
10	.66 (16.8)	.87 (22.2)	1.031 (26.20)
12	.83 (21.0)	1.04 (26.4)	1.197 (30.40)
14	.99 (25.2)	1.20 (30.6)	1.362 (34.60)
16	1.16 (29.4)	1.37 (34.8)	1.528 (38.80)
18	1.32 (33.6)	1.54 (39.0)	1.693 (43.00)
20	1.49 (37.8)	1.70 (43.2)	1.858 (47.20)
22	1.65 (42.0)	1.87 (47.4)	2.024 (51.40)
24	1.82 (46.2)	2.03 (51.6)	2.189 (55.60)



- NOTES:**
- HOUSING MATERIAL:
V-2 = NYLON 6/6, UNFILLED U.L. 94V-2, COLOR: NATURAL.
V-0 = NYLON 6/6, UNFILLED U.L. 94V-0, COLOR: NATURAL.
GW V-0 = NYLON UL94V-0, COLOR: BLACK IEC 60335-1 4TH EDITION GLOW WIRE CAPABLE
TERMINAL MATERIAL: COPPER ALLOY.
 - TERMINAL PLATING:
TIN = .000100/(.00254) MIN. MATTE TIN OVER .000050/(.00127) MIN. NICKEL OVERALL
GOLD = .000030/(.00080) MIN. SELECT GOLD, .000100/(.00254) MIN. MATTE TIN OVER .000050/(.00127) MIN. NICKEL OVERALL
 - PRODUCT SPECIFICATION: PS-45750-001
 - PACKAGING SPECIFICATION: PK-5566-001.
 - PART MATES WITH MINI-FIT JR. RECEPTACLE NO. 5557.
 - PART ARE NOT TO BE MATED OR UN-MATED WHILE CIRCUITS ARE LIVE.
 - PARTS TO HAVE "HCS" MARKING
 - PART CONFORMS TO CLASS B OF COSMETIC SPECIFICATION PS-45499-002 WITH THE EXCEPTION OF DISCOLORATION, FLASH, AND SINK MEET CLASS "C" REQUIREMENTS.
 - PART IS NOT DESIGNED FOR CURRENT SHARING.
 - ANTI-SHINGLING RIB MAY OR MAY NOT APPEAR ON HOUSINGS.
- ▲ LOCATION OF .118/3.00 DIAMETER HOLES ON P.C. BOARD IS FOR OPTIONAL PEGS.



ADD NOTE 11 EC NO: UCP2014-4789 DRAWN: JBOX 2014/06/02 CHKD: BELL 2014/06/02 APPR: SMITH 2014/06/23	QUALITY SYMBOLS	GENERAL TOLERANCES (UNLESS SPECIFIED)		DIMENSION STYLE		SCALE	DESIGN UNITS	THIRD ANGLE PROJECTION
		mm	INCH	IN/MM		4:1	METRIC	☉
REV C4	▽=0	4 PLACES ±---	±---	DRAWN BY	DATE	TITLE VERTICAL HEADER ASSEMBLY DUAL ROW MINI-FIT PLUS HCS SERIES molex DOCUMENT NO. SD-46015-001 SHEET NO. 1 OF 2		
	▽=0	3 PLACES ±---	±.010	T GREGOR I	2006/04/27			
	▽=0	2 PLACES ±0.25	±.020	CHECKED BY	DATE			
	▽=0	1 PLACE ±0.50	±---	JCOMERC I	DATE			
		0 PLACE ±---	±---	APPROVED BY	DATE			
		ANGULAR ±1/2°		MATERIAL NO.	DOCUMENT NO.			
		DRAFT WHERE APPLICABLE MUST REMAIN WITHIN DIMENSIONS		SEE TABLE	THIS DRAWING CONTAINS INFORMATION THAT IS PROPRIETARY TO MOLEX INCORPORATED AND SHOULD NOT BE USED WITHOUT WRITTEN PERMISSION			



Distributor of Molex Connector Corporation: Excellent Integrated System Limited

Datasheet of 0460150806 - MF+ HCS VERT HDR DR 8CKT V-2 TIN

Contact us: sales@integrated-circuit.com Website: www.integrated-circuit.com

ITEM NO.	CKT SIZE	HOUSING MATERIAL	PEGS	PLATING	ITEM NO.	CKT SIZE	HOUSING MATERIAL	PEGS	PLATING												
46015-0202	2	V-0	NO	TIN	46015-1402	14	V-0	NO	TIN												
46015-0203			YES		46015-1403			YES													
46015-0206		V-2	NO		GOLD		46015-1406	16		V-2	NO	GOLD									
46015-0207			YES				46015-1407				YES										
46015-0211		GW V-0	YES				TIN			46015-1409	18		V-0	YES	TIN						
46015-0209			V-0							YES				46015-1412		NO					
46015-0210		GW V-0	YES							GOLD			46015-1602	20		V-0	NO	GOLD			
46015-0212			V-0										NO				46015-1603		YES		
46015-0402		V-0	NO										TIN			46015-1606	22		V-2	NO	TIN
46015-0403			YES													46015-1607				YES	
46015-0406	V-2	NO	GOLD	46015-1609		24			V-0							YES			GOLD		
46015-0407		YES		46015-1612												NO					
46015-0411	GW V-0	YES		TIN	46015-1802			28	V-0			NO				TIN					
46015-0409		V-0			YES							46015-1803								YES	
46015-0410	GW V-0	YES			GOLD		46015-1806		30		V-2	NO			GOLD						
46015-0412		V-0					NO					46015-1807								YES	
46015-0602	V-0	NO					TIN			46015-1809	32	V-0		YES				GOLD			
46015-0603		YES								46015-1812				NO							
46015-0606	V-2	NO								GOLD		46015-2002	34	V-0			NO			GOLD	
46015-0607		YES										46015-2003					YES				
46015-0611	GW V-0	YES	TIN			46015-2006						36		V-2			NO		TIN		
46015-0609		V-0				YES											46015-2007				YES
46015-0610	GW V-0	YES		GOLD		46015-2009		38						V-0		YES	GOLD				
46015-0612		V-0				NO										46015-2012					NO
46015-0802	V-0	NO			TIN	46015-2202			40					V-0	NO	TIN					
46015-0803		YES				46015-2203									YES						
46015-0806	V-2	NO				GOLD	46015-2206				42			V-2	NO			GOLD			
46015-0807		YES					46015-2207								YES						
46015-0811	GW V-0	YES					TIN			46015-2209			44	V-0	YES					GOLD	
46015-0809		V-0								YES					46015-2212						NO
46015-0810	GW V-0	YES	GOLD							46015-2402		46		V-0	NO				TIN		
46015-0812		V-0								NO					46015-2403						YES
46015-1002	V-0	NO		TIN				46015-2406		48				V-2	NO		GOLD				
46015-1003		YES						46015-2407							YES						
46015-1006	V-2	NO			GOLD			46015-2409	50					V-0	YES	GOLD					
46015-1007		YES						46015-2412							NO						
46015-1011	GW V-0	YES				TIN															
46015-1009		V-0						YES													
46015-1010	GW V-0	YES					GOLD														
46015-1012		V-0						NO													
46015-1202	V-0	NO	TIN																		
46015-1203		YES																			
46015-1206	V-2	NO		GOLD																	
46015-1207		YES																			
46015-1211	GW V-0	YES			GOLD																
46015-1209		V-0						YES													
46015-1210	GW V-0	YES				GOLD															
46015-1212		V-0						NO													

SEE SHEET 1 EC NO: UCP2014-4789 DRAWN: JFOX 2014/06/02 CHKD: BELL 2014/06/02 APPR: SMITH 2014/06/23	QUALITY SYMBOLS 	GENERAL TOLERANCES (UNLESS SPECIFIED)		DIMENSION STYLE		SCALE	DESIGN UNITS	THIRD ANGLE PROJECTION	
				IN/MM		1:1	METRIC		
		4 PLACES	± ---	± ---	DRAWN BY	DATE	VERTICAL HEADER ASSEMBLY DUAL ROW MINI-FIT PLUS HCS SERIES 		
		3 PLACES	± ---	± .010	T GREGOR I	2006/04/27			
2 PLACES	± 0.25	± .020	CHECKED BY	DATE					
1 PLACE	± 0.50	± ---	JCOMERC I	DATE					
0 PLACE	± ---	± ---	APPROVED BY	DATE					
		ANGULAR ±1/2°		MATERIAL NO.	DOCUMENT NO.				
DRAFT WHERE APPLICABLE MUST REMAIN WITHIN DIMENSIONS		SEE CHART		SD-46015-001		SHEET NO. 2 OF 2			