

Excellent Integrated System Limited

Stocking Distributor

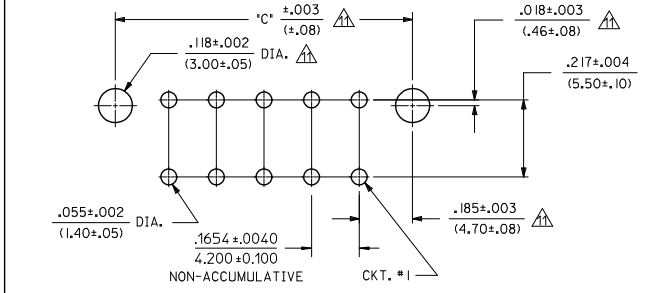
Click to view price, real time Inventory, Delivery & Lifecycle Information:

[Molex Connector Corporation](#)
[0460151207](#)

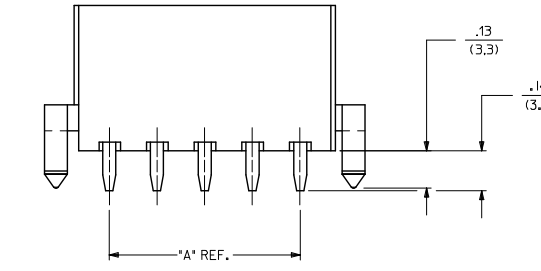
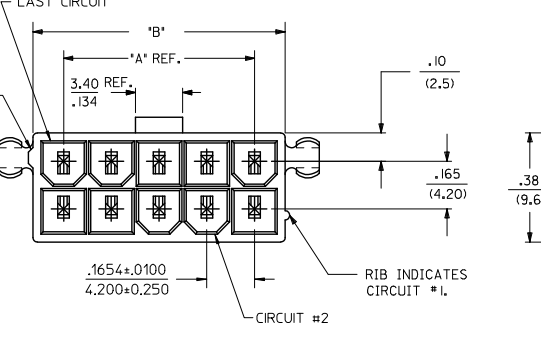
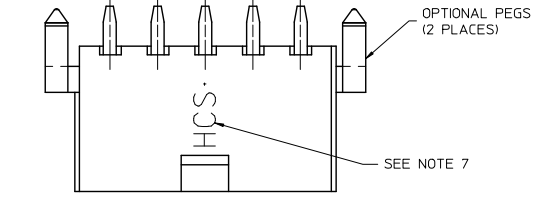
For any questions, you can email us directly:

sales@integrated-circuit.com

CIRCUIT SIZE	DIM. 'A'	DIM. 'B'	DIM. 'C'
2	—	.21 (5.4)	.370 (9.40)
4	.17 (4.2)	.38 (9.6)	.535 (13.60)
6	.33 (8.4)	.54 (13.8)	.701 (17.80)
8	.50 (12.6)	.71 (18.0)	.866 (22.00)
10	.66 (16.8)	.87 (22.2)	1.031 (26.20)
12	.83 (21.0)	1.04 (26.4)	1.197 (30.40)
14	.99 (25.2)	1.20 (30.6)	1.362 (34.60)
16	1.16 (29.4)	1.37 (34.8)	1.528 (38.80)
18	1.32 (33.6)	1.54 (39.0)	1.693 (43.00)
20	1.49 (37.8)	1.70 (43.2)	1.858 (47.20)
22	1.65 (42.0)	1.87 (47.4)	2.024 (51.40)
24	1.82 (46.2)	2.03 (51.6)	2.189 (55.60)



RECOMMENDED HOLE LAYOUT FOR .070/(1.78) MAX. THICK P. C. BOARD



- NOTES:**
- HOUSING MATERIAL:
V-2 = NYLON 6/6, UNFILLED U.L. 94V-2, COLOR: NATURAL.
V-0 = NYLON 6/6, UNFILLED U.L. 94V-0, COLOR: NATURAL.
GW V-0 = NYLON UL94V-0, COLOR: BLACK
IEC 60335-1 4TH EDITION GLOW WIRE CAPABLE
TERMINAL MATERIAL: COPPER ALLOY.
 - TERMINAL PLATING:
TIN = .000100/(.00254) MIN. MATTE TIN OVER .000050/(.00127) MIN. NICKEL OVERALL
GOLD = .000030/(.00080) MIN. SELECT GOLD, .000100/(.00254) MIN. MATTE TIN OVER .000050/(.00127) MIN. NICKEL OVERALL
 - PRODUCT SPECIFICATION: PS-45750-001
 - PACKAGING SPECIFICATION: PK-5566-001.
 - PART MATES WITH MINI-FIT JR. RECEPTACLE NO. 5557.
 - PART ARE NOT TO BE MATED OR UN-MATED WHILE CIRCUITS ARE LIVE.
 - PARTS TO HAVE "HCS+" MARKING
 - PART CONFORMS TO CLASS B OF COSMETIC SPECIFICATION PS-45499-002 WITH THE EXCEPTION OF DISCOLORATION, FLASH, AND SINK MEET CLASS "C" REQUIREMENTS.
 - PART IS NOT DESIGNED FOR CURRENT SHARING.
 - ANTI-SHINGLING RIB MAY OR MAY NOT APPEAR ON HOUSINGS.
- ▲ LOCATION OF .118/3.00 DIAMETER HOLES ON P.C. BOARD IS FOR OPTIONAL PEGS.

ADD NOTE 11 EC NO: UCP2014-4789 DRAWN: JBOX 2014/06/02 CHKD: BELL 2014/06/02 APPR: SMITH 2014/06/23	QUALITY SYMBOLS	GENERAL TOLERANCES (UNLESS SPECIFIED)		DIMENSION STYLE		SCALE	DESIGN UNITS	THIRD ANGLE PROJECTION
		mm	INCH	IN/MM		4:1	METRIC	☉
REV C4	▽=0	4 PLACES ±---	±---	DRAWN BY	DATE	TITLE VERTICAL HEADER ASSEMBLY DUAL ROW MINI-FIT PLUS HCS SERIES molex DOCUMENT NO. SD-46015-001 SHEET NO. 1 OF 2		
	▽=0	3 PLACES ±---	±.010	TGREGORI	2006/04/27			
	▽=0	2 PLACES ±0.25	±.020	CHECKED BY	DATE			
	▽=0	1 PLACE ±0.50	±---	JCOMERC I	DATE			
		0 PLACE ±---	±---	APPROVED BY	DATE			
				SMITH	2010/04/09			
		ANGULAR ±1/2°		MATERIAL NO.		DOCUMENT NO.		
		DRAFT WHERE APPLICABLE MUST REMAIN WITHIN DIMENSIONS		SEE TABLE				
		THIS DRAWING CONTAINS INFORMATION THAT IS PROPRIETARY TO MOLEX INCORPORATED AND SHOULD NOT BE USED WITHOUT WRITTEN PERMISSION						



ITEM NO.	CKT SIZE	HOUSING MATERIAL	PEGS	PLATING	ITEM NO.	CKT SIZE	HOUSING MATERIAL	PEGS	PLATING												
46015-0202	2	V-0	NO	TIN	46015-1402	14	V-0	NO	TIN												
46015-0203			YES		46015-1403			YES													
46015-0206		V-2	NO		GOLD		46015-1406	14		V-2	NO	GOLD									
46015-0207			YES				46015-1407				YES										
46015-0211		GW V-0	YES				TIN			46015-1409	14		V-0	YES	GOLD						
46015-0209			YES							46015-1412				NO							
46015-0210		GW V-0	YES							TIN			46015-1602	16		V-0	NO	GOLD			
46015-0212			NO										46015-1603				YES				
46015-0402		V-0	NO										TIN			46015-1606	16		V-2	NO	GOLD
46015-0403			YES													46015-1607				YES	
46015-0406	V-2	NO	GOLD	46015-1609		16			V-0							YES			GOLD		
46015-0407		YES		46015-1612												NO					
46015-0411	GW V-0	YES		TIN	46015-1802			18	V-0			NO				GOLD					
46015-0409		YES			46015-1803							YES									
46015-0410	GW V-0	YES			TIN		46015-1806		18		V-2	NO			GOLD						
46015-0412		NO					46015-1807					YES									
46015-0602	V-0	NO					TIN			46015-1809	18	V-0		YES				GOLD			
46015-0603		YES								46015-1812				NO							
46015-0606	V-2	NO								GOLD		46015-2002	20	V-0			NO			GOLD	
46015-0607		YES										46015-2003					YES				
46015-0611	GW V-0	YES	TIN			46015-2006						20		V-2			NO		GOLD		
46015-0609		YES				46015-2007											YES				
46015-0610	GW V-0	YES		TIN		46015-2009		20						V-0		YES	GOLD				
46015-0612		NO				46015-2012										NO					
46015-0802	V-0	NO			TIN	46015-2202			22					V-0	NO	GOLD					
46015-0803		YES				46015-2203									YES						
46015-0806	V-2	NO				GOLD	46015-2206				22			V-2	NO			GOLD			
46015-0807		YES					46015-2207								YES						
46015-0811	GW V-0	YES					TIN			46015-2209			22	V-0	YES					GOLD	
46015-0809		YES								46015-2212					NO						
46015-0810	GW V-0	YES	TIN							46015-2402		24		V-0	NO				GOLD		
46015-0812		NO								46015-2403					YES						
46015-1002	V-0	NO		TIN				46015-2406		24				V-2	NO		GOLD				
46015-1003		YES						46015-2407							YES						
46015-1006	V-2	NO			GOLD			46015-2409	24					V-0	YES	GOLD					
46015-1007		YES						46015-2412							NO						
46015-1011	GW V-0	YES				GOLD															
46015-1009		YES																			
46015-1010	GW V-0	YES					TIN														
46015-1012		NO																			
46015-1202	V-0	NO	TIN																		
46015-1203		YES																			
46015-1206	V-2	NO		GOLD																	
46015-1207		YES																			
46015-1211	GW V-0	YES			GOLD																
46015-1209		YES																			
46015-1210	GW V-0	YES				GOLD															
46015-1212		NO																			

SEE SHEET 1 EC NO: UCP2014-4789 DRAWN: JFOX 2014/06/02 CHKD: BELL 2014/06/02 APPR: SMITH 2014/06/23 DESCRIPTION:	QUALITY SYMBOLS	GENERAL TOLERANCES (UNLESS SPECIFIED)	DIMENSION STYLE	SCALE	DESIGN UNITS	THIRD ANGLE PROJECTION
	▽=0	mm INCH	IN/MM	1:1	METRIC	
	▽=0	4 PLACES ± --- ± ---	DRAWN BY DATE	TITLE		
	▽=0	3 PLACES ± --- ± .010	T GREGOR I 2006/04/27	VERTICAL HEADER ASSEMBLY		
	2 PLACES ± 0.25 ± .020	CHECKED BY DATE	DUAL ROW			
	1 PLACE ± 0.50 ± ---	JCOMERC I	MINI-FIT PLUS HCS SERIES			
	0 PLACE ± --- ± ---	APPROVED BY DATE	molex			
	ANGULAR ±1/2°	F SMITH 2010/04/09	MATERIAL NO.	DOCUMENT NO.	SHEET NO.	
	DRAFT WHERE APPLICABLE MUST REMAIN WITHIN DIMENSIONS	SEE CHART	SD-46015-001	2 OF 2		
			THIS DRAWING CONTAINS INFORMATION THAT IS PROPRIETARY TO MOLEX INCORPORATED AND SHOULD NOT BE USED WITHOUT WRITTEN PERMISSION			