

## Excellent Integrated System Limited

Stocking Distributor

Click to view price, real time Inventory, Delivery & Lifecycle Information:

[Molex Connector Corporation](#)  
[0460812010](#)

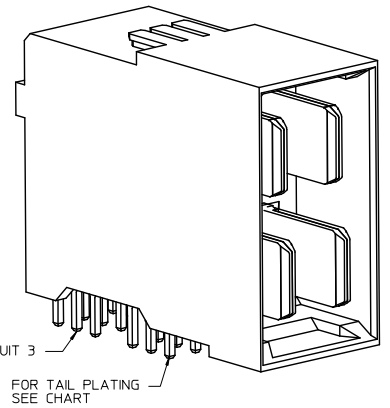
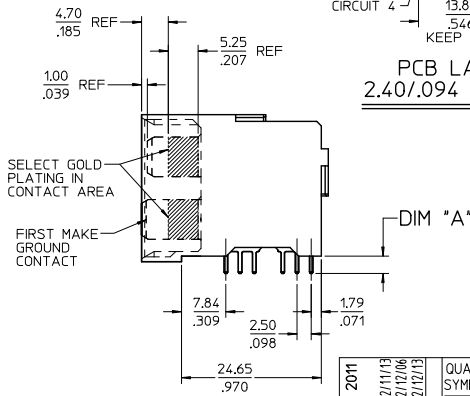
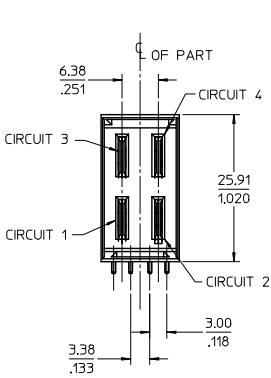
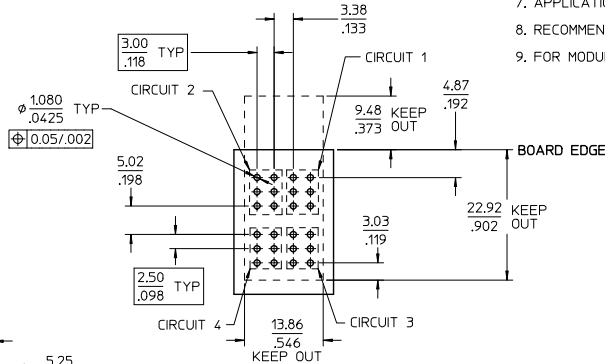
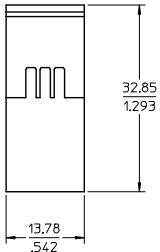
For any questions, you can email us directly:

[sales@integrated-circuit.com](mailto:sales@integrated-circuit.com)

PART NUMBER	DIM "A"
46081-2000	3.07/1.121
46081-2010	3.81/1.150

NOTES:

- MATERIALS:
  - HOUSING: 30% GLASS FILLED, LCP 94V-0, COLOR BLACK
  - TERMINALS: COPPER ALLOY
- PLATING:
  - 0.76 MICROMETER (30 MICROINCH) MINIMUM GOLD IN CONTACT AREA
  - SELECTIVE MATTE TIN ON PCB TAILS
  - NICKEL UNDERPLATE OVERALL
- PLUG MATES WITH RECEPTACLE ASSEMBLY 46079-10\*\*
- MODULE IS DESIGNED FOR PC TAILS TO THE PCB
- MODULE ASSEMBLY IS RoHS COMPLIANT
- MODULES TO BE UL & CSA LISTED PER UL-1977
- PRODUCT PERFORMANCE AND RATING PER PS-75431-\*\*\*\*\*
- APPLICATION SPEC PER AS-75541-\*\*\*\*\*
- RECOMMENDED PCB DRILL HOLE DIA 1.180/0465 (#56 DRILL)
- FOR MODULE CONFIGURATION SEE DRAWING SD-75541-001



REV	DESCRIPTION	QUALITY SYMBOLS	GENERAL TOLERANCES (UNLESS SPECIFIED)		DIMENSION STYLE		SCALE	DESIGN UNITS	THIRD ANGLE PROJECTION
			mm	INCH	MM/IN	DATE			
REV 46081-2001 & 2011			4 PLACES	± .005	± .005	MM/IN	2:1	METRIC	THIRD ANGLE PROJECTION
REC NO: B2	DRW: BARKER CHK: BANDURA APP: APATEL		3 PLACES	± .005	± .010	MM/IN	2:1	METRIC	THIRD ANGLE PROJECTION
			2 PLACES	± 0.13	± .010	MM/IN	2:1	METRIC	THIRD ANGLE PROJECTION
			1 PLACE	± 0.25	± .010	MM/IN	2:1	METRIC	THIRD ANGLE PROJECTION
			0 PLACE	±	±	MM/IN	2:1	METRIC	THIRD ANGLE PROJECTION
			ANGULAR ± 1/2°			MM/IN	2:1	METRIC	THIRD ANGLE PROJECTION
			DRAFT WHERE APPLICABLE MUST REMAIN WITHIN DIMENSIONS			MM/IN	2:1	METRIC	THIRD ANGLE PROJECTION
			SEE CHART			MM/IN	2:1	METRIC	THIRD ANGLE PROJECTION
			THIS DRAWING CONTAINS INFORMATION THAT IS PROPRIETARY TO MOLEX INCORPORATED AND SHOULD NOT BE USED WITHOUT WRITTEN PERMISSION			MM/IN	2:1	METRIC	THIRD ANGLE PROJECTION

ASSEMBLY - PLUG  
4 CIRCUIT - PC TAILS  
MULTI PATH

**molex**

DOCUMENT NO. SD-46081-200

SHEET NO. 1 OF 1