

## Excellent Integrated System Limited

Stocking Distributor

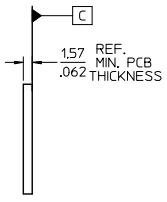
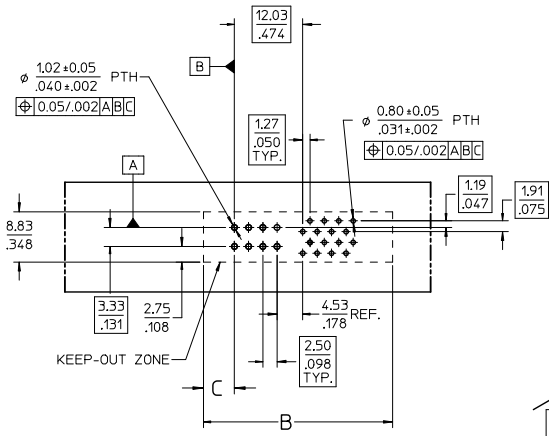
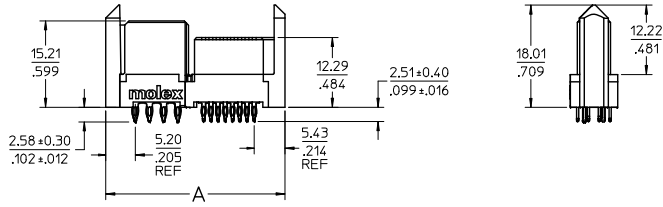
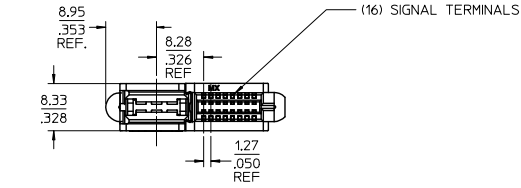
Click to view price, real time Inventory, Delivery & Lifecycle Information:

[Molex Connector Corporation](#)  
[0461142321](#)

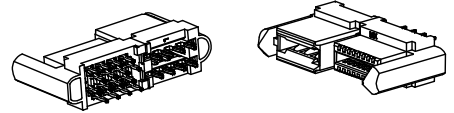
For any questions, you can email us directly:

[sales@integrated-circuit.com](mailto:sales@integrated-circuit.com)

NO OF SIGNALS	MATERIAL NUMBER	COMPLIANT PIN PLATING	DIM A	DIM B	DIM C
12	46114-2120	TIN	29.01/1.142	29.51/1.162	5.45/1.215
16	46114-2160	TIN	31.55/1.242	32.05/1.262	
20	46114-2200	TIN	34.09/1.342	34.59/1.362	
24	46114-2240	TIN	36.63/1.442	37.13/1.462	
28	46114-2280	TIN	39.17/1.542	39.67/1.562	
32	46114-2320	TIN	41.71/1.642	42.21/1.662	
36	46114-2360	TIN	44.25/1.742	44.75/1.762	
40	46114-2400	TIN	46.79/1.842	47.29/1.862	



- NOTES:
1. MATERIAL: HOUSING: LCP, 94-VO, COLOR: BLACK, POWER CONTACTS: COPPER ALLOY, SIGNAL CONTACTS: MODIFIED TIN BRASS.
  2. FINISH: SELECT GOLD - 0.75 μM/30 μ INCHES, SELECTED TIN - 2.50 μM/100 μ INCHES, BOTH OVER NICKEL - 1.25 μM/50 μ INCHES
  3. POWER TERMINALS ARE LUBRICATED IN CONTACT AREA.
  4. PARTS ARE RoHS COMPLIANT.
  5. MATES TO MOLEX P/N 45985-SERIES OR CARD EDGE 1.57/.062.
  6. PRODUCT SPECIFICATION PS-46114-001.
  7. PACKAGING: PER PK-46114-003.

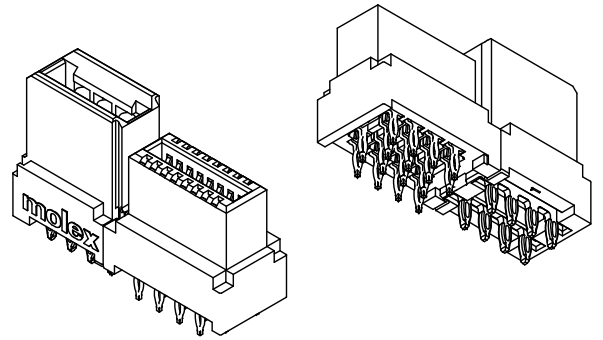
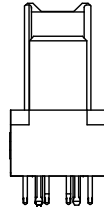
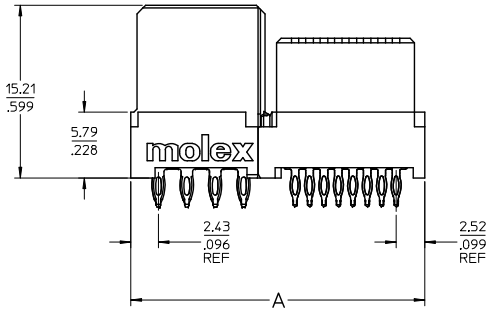
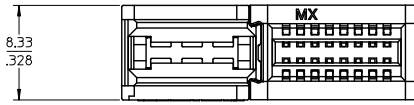


MATERIAL # 46114-2160 SHOWN

PCB COMPONENT SIDE

REMOVE PCB HOLE EC NO: UCP2015-0571 DRAWING NO: 2015/02/04 CHKD: APATEL APPR: APATEL 2015/04/20	QUALITY SYMBOLS	GENERAL TOLERANCES (UNLESS SPECIFIED)		DIMENSION STYLE MM/IN		SCALE 2:1	DESIGN UNITS METRIC	THIRD ANGLE PROJECTION	
		4 PLACES ± --- ± ---	3 PLACES ± --- ± .010	DRAWN BY MKARADIMAS	DATE 07/23/07	TITLE LPH VERTICAL RECEPTACLE ASSEMBLY 2 CIRCUIT PWR CONNECTOR, PRESS FIT			
		2 PLACES ± 0.25 ± ---	1 PLACE ± --- ± ---	CHECKED BY APATEL	DATE 07/25/07				
		ANGULAR ± 1/2°	DRAFT WHERE APPLICABLE MUST REMAIN WITHIN DIMENSIONS	APPROVED BY JCOMERC I	DATE 2009/12/03	MOLEX INCORPORATED	SHEET NO. 1 OF 3		

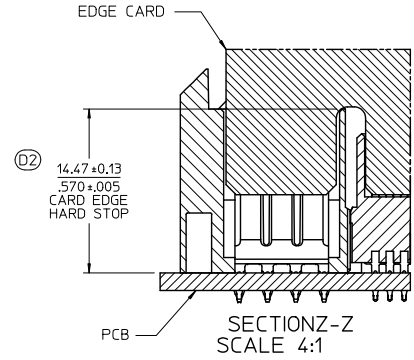
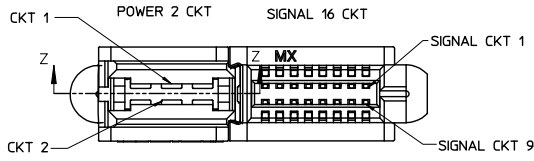
NO OF SIGNALS	MATERIAL NUMBER	COMPLIANT PIN PLATING	DIM A	DIM B	DIM C
12	46114-2121	TIN	23.34/919	23.88/940	2.69/106
16	46114-2161	TIN	25.88/1019	26.42/1040	
20	46114-2201	TIN	28.42/1119	28.96/1140	
24	46114-2241	TIN	30.96/1219	31.50/1240	
28	46114-2281	TIN	33.50/1319	34.04/1340	
32	46114-2321	TIN	36.04/1419	36.58/1440	
36	46114-2361	TIN	38.58/1519	39.12/1540	
40	46114-2401	TIN	41.12/1619	41.66/1640	



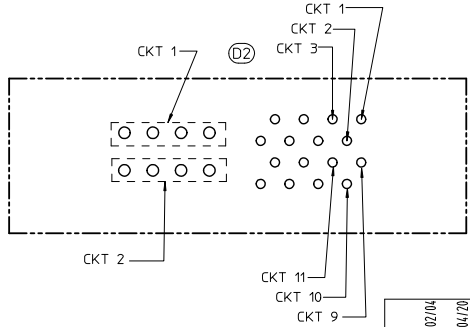
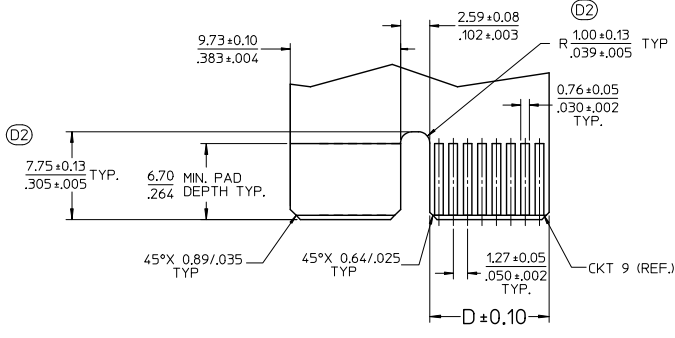
MATERIAL # 46114-2161 SHOWN

SEE SHT 1 EC NO: UCP2015-0571 DRAWING NO: 2015/02/04 CHKD: APATEL APPR: APATEL 2015/04/20 DESCRIPTION	QUALITY SYMBOLS	GENERAL TOLERANCES (UNLESS SPECIFIED)	DIMENSION STYLE	SCALE	DESIGN UNITS	THIRD ANGLE PROJECTION	
		mm INCH	MM/IN	2:1	METRIC		
		4 PLACES ± --- ± ---	DRAWN BY MKARADIMAS DATE 07/23/07	TITLE LPH VERTICAL RECEPTACLE ASSEMBLY 2 CIRCUIT PWR CONNECTOR, PRESS FIT			
		3 PLACES ± --- ± .010	CHECKED BY APATEL DATE 07/25/07	MOLEX INCORPORATED			
	2 PLACES ± 0.25 ± ---	APPROVED BY JCOMERC I DATE 2009/12/03	MATERIAL NO.	DOCUMENT NO.	SHEET NO.		
	1 PLACE ± --- ± ---	ANGULAR ± 1/2°	SEE CHART	SD-46114-200	2	3	
		DRAFT WHERE APPLICABLE MUST REMAIN WITHIN DIMENSIONS	THIS DRAWING CONTAINS INFORMATION THAT IS PROPRIETARY TO MOLEX INCORPORATED AND SHOULD NOT BE USED WITHOUT WRITTEN PERMISSION				

NO. OF SIGNAL	DIM. D
12	8.00/.315
16	10.54/.415
20	13.08/.515
24	15.62/.615
28	18.16/.715
32	20.70/.815
36	23.24/.915
40	25.78/1.015



RECOMMENDED EDGE CARD LAYOUT  
 EDGE CARD THICKNESS: 1577.062 ± 0.15/.006  
 PLATING: GOLD 30 μ INCHES MIN.  
 OVER 150 μ INCHES NICKEL.



PCB LAYOUT: COMPONENT SIDE  
 SEE SH1 FOR DIMENSIONS.

SEE SH1 EIC NO: LCP2015-0571 DRAWN BY: ANDRADA 2015/02/04 CHKD: APPELL 2015/04/28 APPR: APPELL	GENERAL TOLERANCES (UNLESS SPECIFIED)		DIMENSION STYLE		SCALE	DESIGN UNITS	THIRD ANGLE PROJECTION
	mm	INCH	MM/IN		4:1	METRIC	
	4 PLACES ±---	±---	DRAWN BY	DATE	TITLE		
	3 PLACES ±---	±.010	MKARADIMAS	07/23/07	LPH VERTICAL RECEPTACLE ASSEMBLY 2 CIRCUIT PWR CONNECTOR, PRESS FIT		
2 PLACES ±0.25	±---	CHECKED BY	DATE	Molex MOLEX INCORPORATED			
1 PLACE ±---	±---	APATEL	07/25/07	MATERIAL NO. DOCUMENT NO. SHEET NO.			
ANGULAR ±1/2°		APPROVED BY	DATE	SD-46114-200		3 OF 3	
DRAFT WHERE APPLICABLE MUST REMAIN WITHIN DIMENSIONS		JCOMERC I	2009/12/03	SEE CHART			
THIS DRAWING CONTAINS INFORMATION THAT IS PROPRIETARY TO MOLEX INCORPORATED AND SHOULD NOT BE USED WITHOUT WRITTEN PERMISSION							