

Excellent Integrated System Limited

Stocking Distributor

Click to view price, real time Inventory, Delivery & Lifecycle Information:

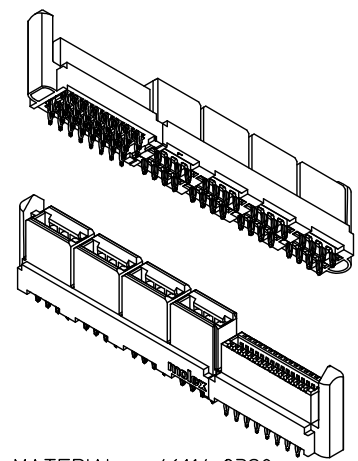
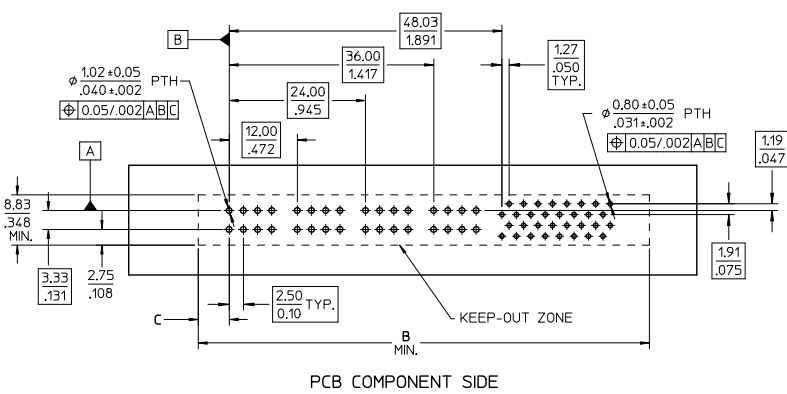
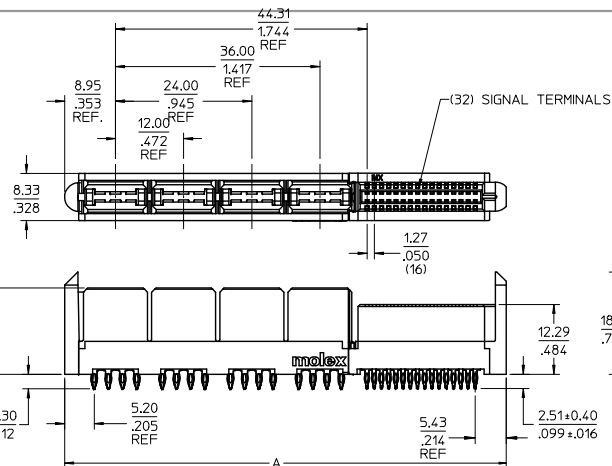
[Molex Connector Corporation](#)

[0461148240](#)

For any questions, you can email us directly:

sales@integrated-circuit.com

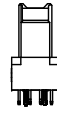
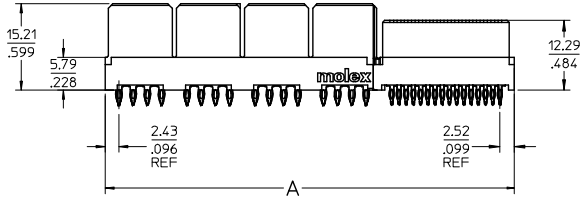
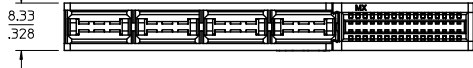
NO OF SIGNALS	MATERIAL NUMBER	COMPLIANT PIN PLATING	DIM A	DIM B	DIM C
12	46114-8120	TIN	65.01/2.559	65.51/2.579	5.45/215
16	46114-8160	TIN	67.55/2.659	68.05/2.679	
20	46114-8200	TIN	70.09/2.759	70.59/2.779	
24	46114-8240	TIN	72.63/2.859	73.13/2.879	
28	46114-8280	TIN	75.17/2.959	75.67/2.979	
32	46114-8320	TIN	77.71/3.059	78.21/3.079	
36	46114-8360	TIN	80.25/3.159	80.75/3.179	
40	46114-8400	TIN	82.79/3.259	83.29/3.279	



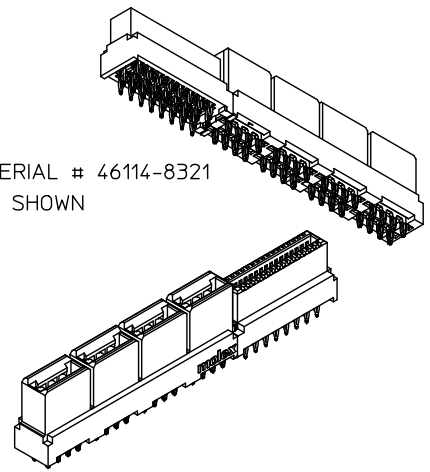
MATERIAL # 46114-8320 SHOWN

- NOTES:
1. MATERIAL: HOUSING: LCP, 94-V0, COLOR: BLACK. POWER CONTACTS: COPPER ALLOY. SIGNAL CONTACTS: MODIFIED TIN BRASS.
 2. FINISH: SELECT GOLD - 0.75 μM/30 μ INCHES. SELECTED TIN - 2.50 μM/100 μ INCHES. BOTH OVER NICKEL - 1.25 μM/50 μ INCHES.
 3. POWER TERMINALS ARE LUBRICATED IN CONTACT AREA.
 4. PARTS ARE RoHS COMPLIANT.
 5. MATES TO MOLEX P/N 45985-SERIES OR CARD EDGE 157/062.
 6. PRODUCT SPECIFICATION PS-46114-001.
 7. PACKAGING: PER PK-46114-003.

REVISE CARD EDGE EC NO: UCP2015-0571 DRAWING BANDURA 2015/02/05 CHKD: APPR: APATEL 2015/04/20 DESCRIPTION REV	QUALITY SYMBOLS ▽=0 ∇=0	GENERAL TOLERANCES (UNLESS SPECIFIED) 4 PLACES ± --- ± --- 3 PLACES ± --- ± 0.10 2 PLACES ± 0.25 ± --- 1 PLACE ± --- ± --- ANGULAR ± 1/2°	DIMENSION STYLE MM/IN DRAWN BY MKARADI MAS DATE 07/18/07 CHECKED BY DATE APATEL 07/20/07 APPROVED BY JCOMERC I DATE 2009/12/03	SCALE 2:1 DESIGN UNITS METRIC THIRD ANGLE PROJECTION	TITLE LPH VERTICAL RECEPTACLE COMPLIANT PIN ASSEMBLY 8CKT PWR CONN, PRESS FIT	MATERIAL NO. SEE CHART DOCUMENT NO. SD-46114-800	SHEET NO. 1 OF 3
		DRAFT WHERE APPLICABLE MUST REMAIN WITHIN DIMENSIONS		THIS DRAWING CONTAINS INFORMATION THAT IS PROPRIETARY TO MOLEX INCORPORATED AND SHOULD NOT BE USED WITHOUT WRITTEN PERMISSION		MOLEX INCORPORATED	



MATERIAL # 46114-8321
SHOWN

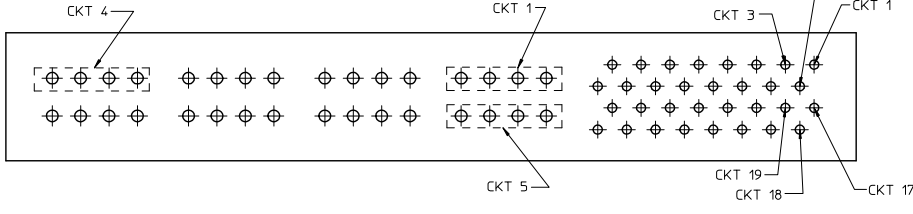
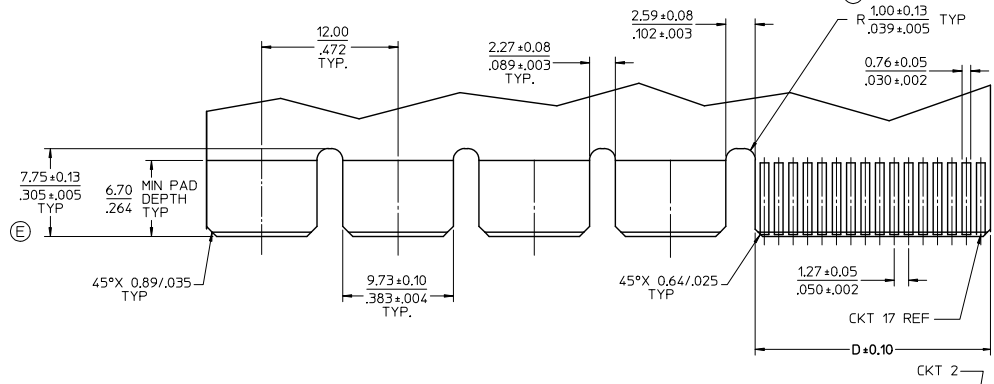
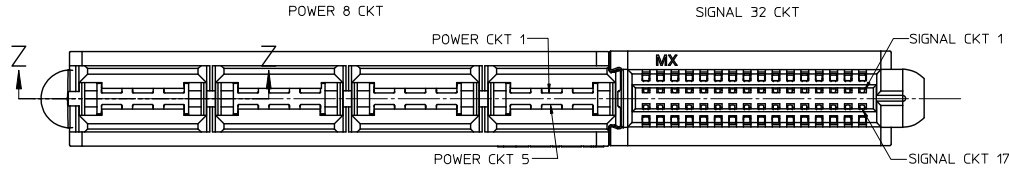


NO OF SIGNALS	MATERIAL NUMBER	COMPLIANT PIN PLATING	DIM A	DIM B	DIM C
12	46114-8121	TIN	59.34/2.336	59.84/2.356	2.69/1.106
16	46114-8161	TIN	61.88/2.436	62.38/2.456	
20	46114-8201	TIN	64.42/2.536	64.92/2.556	
24	46114-8241	TIN	66.96/2.636	67.46/2.656	
28	46114-8281	TIN	69.50/2.736	70.00/2.756	
32	46114-8321	TIN	72.04/2.836	72.54/2.856	
36	46114-8361	TIN	74.58/2.936	75.08/2.956	
40	46114-8401	TIN	77.12/3.036	77.62/3.056	

SEE SHT 1 EC NO: UCP2015-0571 DRAWN BY: DRW:RABANDURA 2015/02/05 CHKD: APATEL APPR: APATEL 2015/04/20 REV:	QUALITY SYMBOLS	GENERAL TOLERANCES (UNLESS SPECIFIED)	DIMENSION STYLE	SCALE	DESIGN UNITS	THIRD ANGLE PROJECTION	
		mm INCH	MM/IN	2:1	METRIC		
		4 PLACES ± --- ± ---	DRAWN BY: MKARADIMAS DATE: 07/18/07	TITLE: LPH VERTICAL RECEPTACLE COMPLIANT PIN ASSEMBLY 8CKT PWR CONN, PRESS FIT			
		3 PLACES ± --- ± .010	CHECKED BY: APATEL DATE: 07/20/07	MOLEX INCORPORATED			
	2 PLACES ± 0.25 ± ---	APPROVED BY: JCOMERC I DATE: 2009/12/03	MATERIAL NO. SEE CHART	DOCUMENT NO. SD-46114-800	SHEET NO. 2 OF 3		
	1 PLACE ± --- ± ---	ANGULAR ± 1/2°	DRAFT WHERE APPLICABLE MUST REMAIN WITHIN DIMENSIONS				
THIS DRAWING CONTAINS INFORMATION THAT IS PROPRIETARY TO MOLEX INCORPORATED AND SHOULD NOT BE USED WITHOUT WRITTEN PERMISSION							

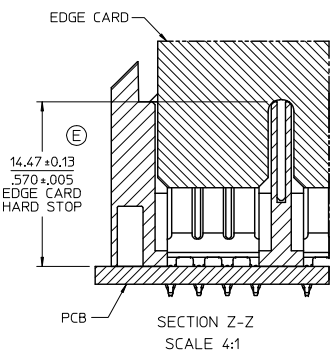
13 12 11 10 9 8 7 6 5 4 3 2 1

NO. OF SIGNAL	DIM. D
12	8.00/.315
16	10.54/.415
20	13.08/.515
24	15.62/.615
28	18.16/.715
32	20.70/.815
36	23.24/.915
40	25.78/1.015



RECOMMENDED EDGE CARD LAYOUT
 EDGE CARD THICKNESS: 157/.062 ± 0.15/.006
 PLATING: GOLD 30 μ INCHES MIN.
 OVER 150 μ INCHES NICKEL.

PCB LAYOUT: COMPONENT SIDE
 SEE SHT 1 FOR DIMENSIONS



SEE SHT 1 IEC NO: UCP2015-0571 DRAWING NUMBER: 2015/02/05 CHKD: DRWINGBANDURA APPR: APATEL 2015/04/20 DESCRIPTION:	QUALITY SYMBOLS	GENERAL TOLERANCES (UNLESS SPECIFIED)	DIMENSION STYLE	SCALE	DESIGN UNITS	THIRD ANGLE PROJECTION	TITLE	SHEET NO.
		mm INCH	MM/IN	4:1	METRIC	⊙	LPH VERTICAL RECEPTACLE COMPLIANT PIN ASSEMBLY 8CKT PWR CONN. PRESS FIT	3 OF 3
		4 PLACES ± --- ± ---	DRAWN BY: MKARADIMAS DATE: 07/18/07					
		3 PLACES ± --- ± .010	CHECKED BY: APATEL DATE: 07/20/07					
	2 PLACES ± 0.25 ± ---	APPROVED BY: JCOMERC I DATE: 2009/12/03						
	1 PLACE ± --- ± ---	ANGULAR ± 1/2°						
		DRAFT WHERE APPLICABLE MUST REMAIN WITHIN DIMENSIONS	MATERIAL NO. SEE CHART				MOLEX INCORPORATED	SD-46114-800
			SIZE C				THIS DRAWING CONTAINS INFORMATION THAT IS PROPRIETARY TO MOLEX INCORPORATED AND SHOULD NOT BE USED WITHOUT WRITTEN PERMISSION	

12 11 10 9 8 7 6 5 4 3 2 1