

Excellent Integrated System Limited

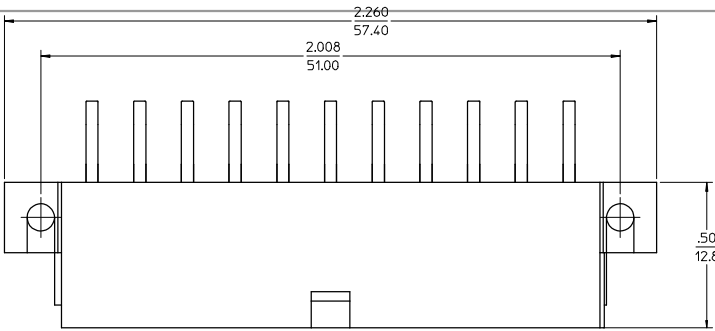
Stocking Distributor

Click to view price, real time Inventory, Delivery & Lifecycle Information:

[Molex Connector Corporation](#)
[0462141001](#)

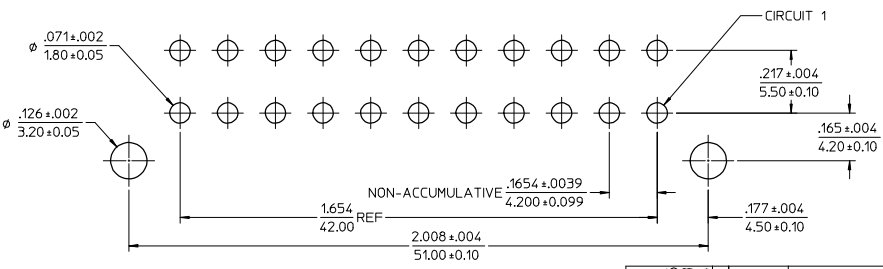
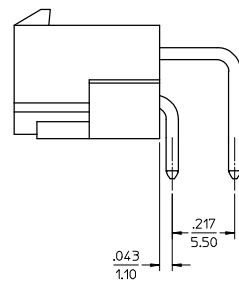
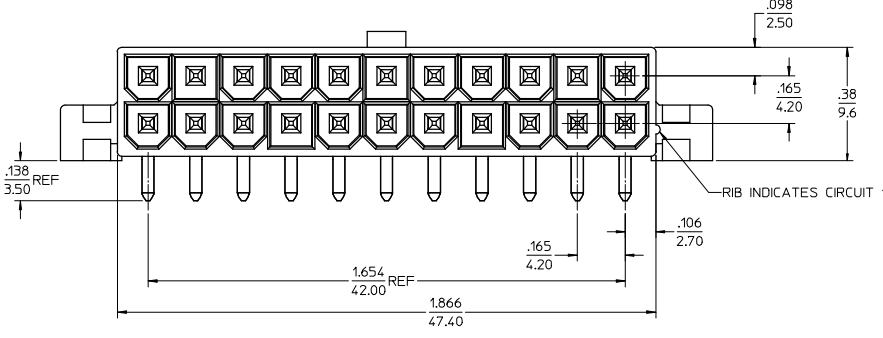
For any questions, you can email us directly:

sales@integrated-circuit.com



NOTES:

- HOUSING MATERIAL: NYLON 6/6, U.L. 94V-0, COLOR NATURAL. TERMINAL MATERIAL: BRASS
- FINISH: HOUSING: NONE
TERMINAL: .000030/.00076 MIN SELECT GOLD AND .000100/.00254 MIN SELECT MATTE TIN OVER .000050/.00127 MIN NICKEL OVERALL
- PRODUCT SPECIFICATION: PS-45750-001 WHEN MATED TO 45750 TERMINAL
PS-5556-001 WHEN MATED TO 5556 TERMINAL
PS-44476-001 WHEN MATED TO 44476 TERMINAL
- PACKAGING: TRAY PACK PER PK-46214-001.
- PART MATES WITH MINI-FIT JR RECEPTACLE 46212.
- PART IS DESIGNED FOR USE WITH 4-40 OR M3 SELF-TAPPING SCREWS.
- PART IS NOT DESIGNED FOR CURRENT SHARING.
- PARTS CONFORM TO COSMETIC SPECIFICATION PS-45499-002.



RECOMMENDED HOLE LAYOUT FOR .070/.178 MAX THICK PC BOARD VIEWED FROM COMPONENT SIDE

| | | | | | | | |
|---|--|--|------------------------|---|--|--|--|
| TRAY PACK EC NO: UCP2008-1245 DRW:LSCHMIDT 2007/12/06 CHK:DAUER 2007/12/13 APPR:SMITH 2007/12/14 DESCRIPTION | QUALITY SYMBOLS | GENERAL TOLERANCES (UNLESS SPECIFIED) | DIMENSION STYLE | SCALE | DESIGN UNITS | THIRD ANGLE PROJECTION | |
| | ▽=0 ∇=0 | mm INCH 4 PLACES ± --- ± --- 3 PLACES ± --- ± .015 2 PLACES ± 0.38 ± --- 1 PLACE ± --- ± --- ANGULAR ± 1/2° | IN/MM | 4:1 | METRIC | DRAWN BY: AD RATNOL CHECKED BY: GPOLGAR APPROVED BY: JCOMERC I DATE: 2006/04/26 DATE: 2006/04/26 DATE: 2006/04/26 | |
| | DRAFT WHERE APPLICABLE MUST REMAIN WITHIN DIMENSIONS | | MATERIAL NO. 462141001 | TITLE | 22 CKT RTAN HEADER ASSY FLANGE, SPECIAL POLARIZ MINI-FIT JR SERIES | | |
| | | | MOLEX INCORPORATED | MOLEX INCORPORATED DOCUMENT NO. SD-46214-001 SHEET NO. 1 OF 1 | | | |