

Excellent Integrated System Limited

Stocking Distributor

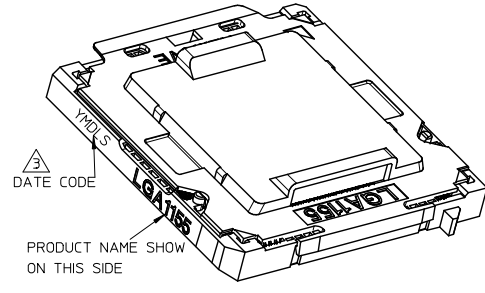
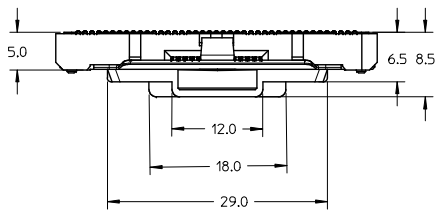
Click to view price, real time Inventory, Delivery & Lifecycle Information:

[Molex Connector Corporation](#)
[0475960233](#)

For any questions, you can email us directly:

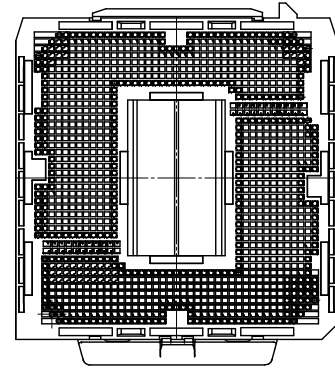
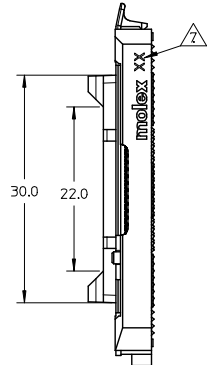
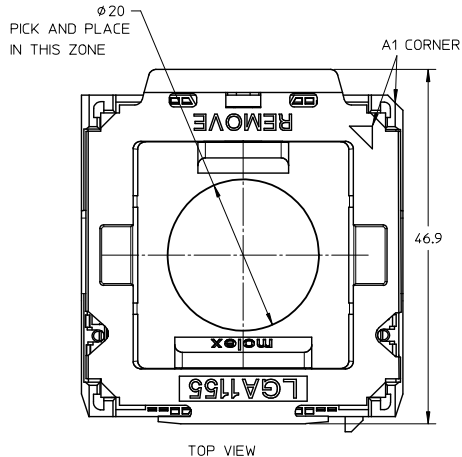
sales@integrated-circuit.com

10 9 8 7 6 5 4 3 2 1



NOTES:

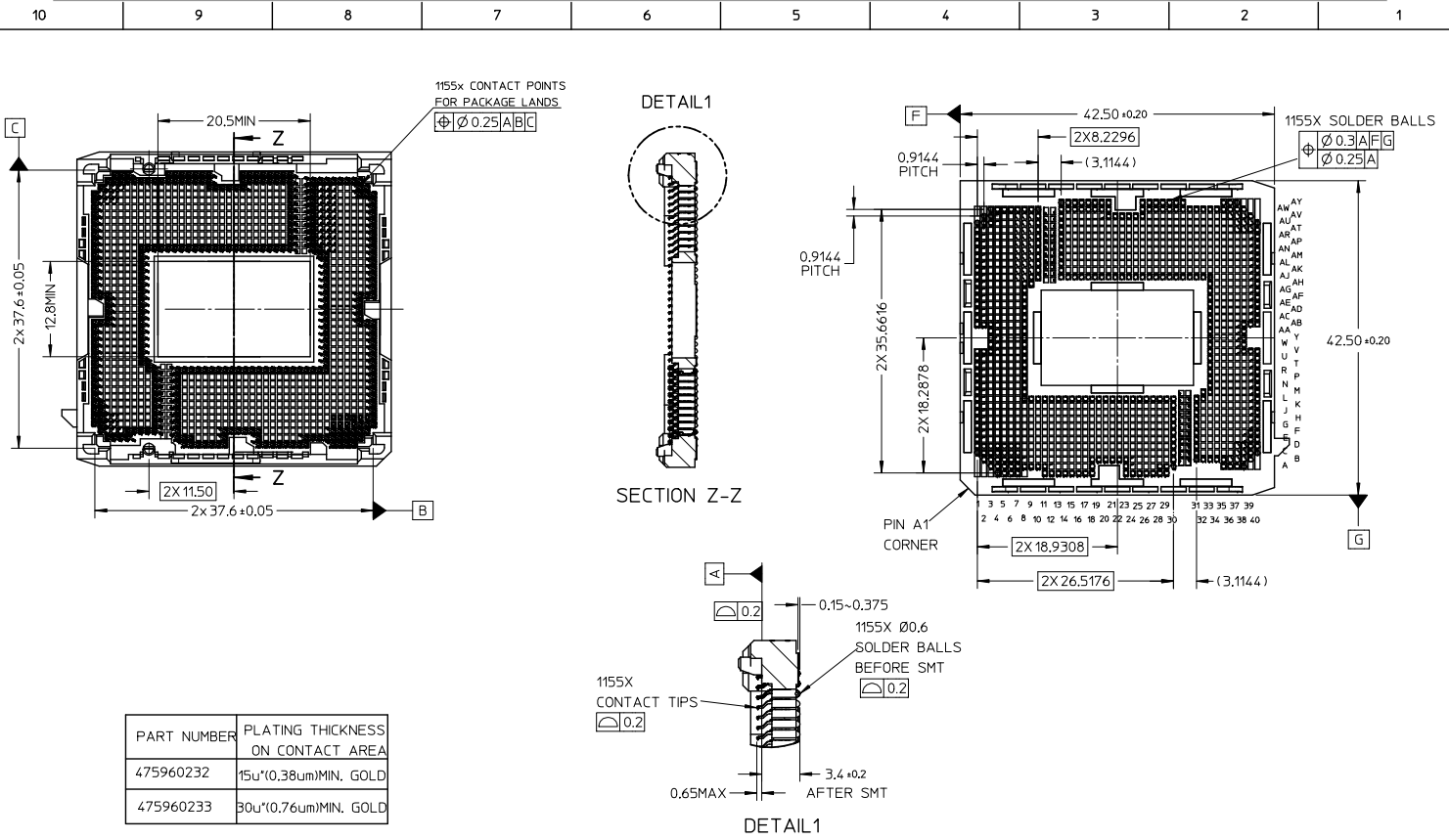
1. MATERIAL:
HOUSING AND CAP: HIGH TEMPERATURE THERMOPLASTIC, UL94V-0
CONTACT: HIGH STRENGTH COPPER ALLOY
SOLDER BALL: LEAD FREE SnAg3.0Cu0.5
2. PLATING:
50 μ MIN. NICKEL AT PADDLE AND CONTACT AREA.
GOLD PLATING THICKNESS AT CONTACT AREA REFER TO TABLE.
3. DATE CODE 'YMDLS' IS DEFINED AS:
'YEAR/MONTH/DAY/***(*)**' IS MOLEX INTERNAL CONTROLLED).
4. 47596**** COMPLIANT TO RoHS DIRECTIVE 2002/95/EC AND ELV DIRECTIVE 2000/53/EC.
5. PRODUCT SPECIFICATION PS-47596-001 APPLIES.
6. PACKAGE DRAWING PK-47596-001 APPLIES.



BOTTOM VIEW

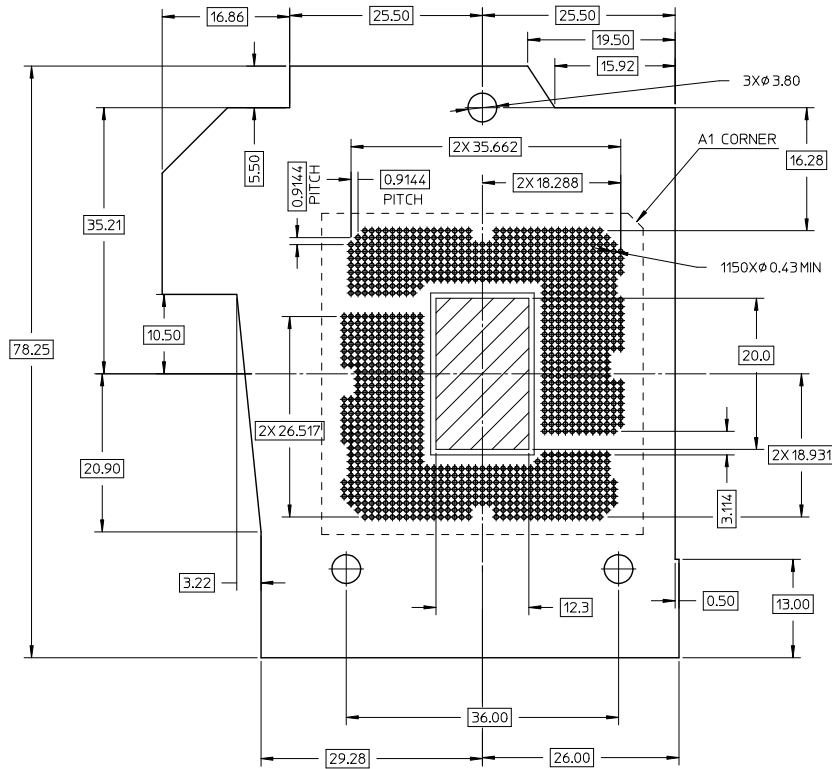
ENTER DESCRIPTION EC NO: SH2013-0312 DRAWN: YZHENG 2013/03/28 CHKD: APPR: AYIN REV: 2013/04/16	QUALITY SYMBOLS	GENERAL TOLERANCES (UNLESS SPECIFIED)	DIMENSION STYLE	SCALE	DESIGN UNITS	THIRD ANGLE PROJECTION																		
	$\nabla=0$ $\nabla=0$ $\nabla=0$	<table border="1"> <thead> <tr> <th></th> <th>mm</th> <th>INCH</th> </tr> </thead> <tbody> <tr> <td>4 PLACES</td> <td>\pm---</td> <td>\pm---</td> </tr> <tr> <td>3 PLACES</td> <td>\pm---</td> <td>\pm---</td> </tr> <tr> <td>2 PLACES</td> <td>\pm0.25</td> <td>\pm---</td> </tr> <tr> <td>1 PLACE</td> <td>\pm0.25</td> <td>\pm---</td> </tr> <tr> <td colspan="3">ANGULAR \pm 1°</td> </tr> </tbody> </table>		mm	INCH	4 PLACES	\pm ---	\pm ---	3 PLACES	\pm ---	\pm ---	2 PLACES	\pm 0.25	\pm ---	1 PLACE	\pm 0.25	\pm ---	ANGULAR \pm 1°			IN/MM	2:1	INCH	
		mm	INCH																					
	4 PLACES	\pm ---	\pm ---																					
3 PLACES	\pm ---	\pm ---																						
2 PLACES	\pm 0.25	\pm ---																						
1 PLACE	\pm 0.25	\pm ---																						
ANGULAR \pm 1°																								
DRAFT WHERE APPLICABLE MUST REMAIN WITHIN DIMENSIONS	DRAWN BY: VLV CHECKED BY: JKACHLIC APPROVED BY:	DATE: 2008/12/11 DATE: 2008/12/11 DATE:	TITLE	LGA1155 SOCKET																				
		MATERIAL NO. SEE TABLE	MOLEX INCORPORATED DOCUMENT NO. SD-47596-200		SHEET NO. 1 OF 3																			

9 8 7 6 5 4 3 2 1



ENTER DESCRIPTION EC NO: SH2013-0312 DRAWN: XZLENG 2013/03/28 CHECKD: XZLENG APPR: ATIN REV:	QUALITY SYMBOLS	GENERAL TOLERANCES (UNLESS SPECIFIED)	DIMENSION STYLE IN/MM	SCALE 2:1	DESIGN UNITS INCH	THIRD ANGLE PROJECTION
	$\nabla=0$	4 PLACES ± --- ± ---	mm INCH	DRAWN BY VLV	DATE 2008/12/11	TITLE LGA1155 SOCKET
	$\nabla=0$	3 PLACES ± --- ± ---		CHECKED BY JKACHLIC	DATE 2008/12/11	
	$\nabla=0$	2 PLACES ± 0.25 ± --- 1 PLACE ± 0.25 ± --- ANGULAR ± 1°		APPROVED BY	DATE	MATERIAL NO. SEE TABLE
		DRAFT WHERE APPLICABLE MUST REMAIN WITHIN DIMENSIONS				MOLEX INCORPORATED
						DOCUMENT NO. SD-47596-200
						SHEET NO. 2 OF 3
						THIS DRAWING CONTAINS INFORMATION THAT IS PROPRIETARY TO MOLEX INCORPORATED AND SHOULD NOT BE USED WITHOUT WRITTEN PERMISSION

10 9 8 7 6 5 4 3 2 1



PCB TOP SIDE KEEP OUT ZONE LAYOUT
FOR REFERENCE

ENTER DESCRIPTION EC NO: SH2013-0312 2013/03/28 DRAWN: XZHENG CHKD: APPR: ATIN REV:	QUALITY SYMBOLS $\nabla=0$ $\nabla=0$ $\nabla=0$	GENERAL TOLERANCES (UNLESS SPECIFIED) mm INCH 4 PLACES ± --- ± --- 3 PLACES ± --- ± --- 2 PLACES ± 0.25 ± --- 1 PLACE ± 0.25 ± --- ANGULAR ± 1°	DIMENSION STYLE IN/MM DRAWN BY DATE VLV 2008/12/11 CHECKED BY DATE JKACHLIC 2008/12/11 APPROVED BY DATE	SCALE 2:1 DESIGN UNITS INCH THIRD ANGLE PROJECTION	TITLE LGA1155 SOCKET
	DRAFT WHERE APPLICABLE MUST REMAIN WITHIN DIMENSIONS		MATERIAL NO. SEE TABLE	DOCUMENT NO. SD-47596-200	SHEET NO. 3 OF 3
	Molex MOLEX INCORPORATED				
	THIS DRAWING CONTAINS INFORMATION THAT IS PROPRIETARY TO MOLEX INCORPORATED AND SHOULD NOT BE USED WITHOUT WRITTEN PERMISSION				

9 8 7 6 5 4 3 2 1