



## Excellent Integrated System Limited

Stocking Distributor

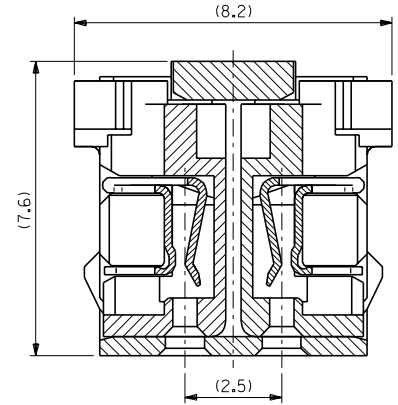
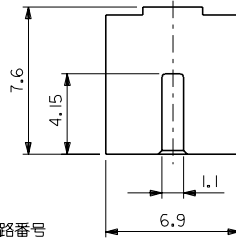
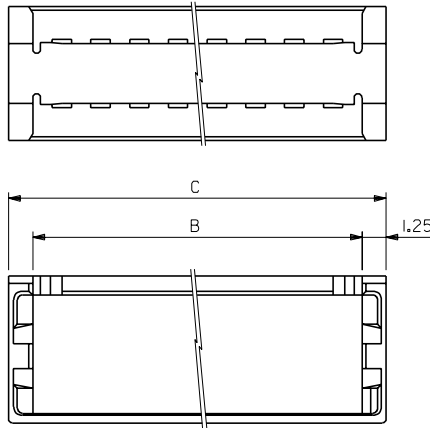
Click to view price, real time Inventory, Delivery & Lifecycle Information:

[Molex Connector Corporation](#)  
[0510942805](#)

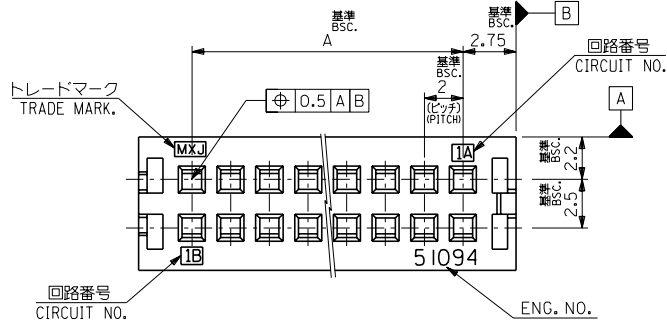
For any questions, you can email us directly:

[sales@integrated-circuit.com](mailto:sales@integrated-circuit.com)

ENG. NO. SD-51094-\*\*-05  
EDP NO.  
DIMENSIONS IN METRIC DO NOT SCALE DRAWING



ハウジング アッセンブリ装着状態図  
FIGURE OF HOUSING ASSEMBLY WHEN ASSEMBLED



|      |    |    |            |        |
|------|----|----|------------|--------|
| 33.5 | 31 | 28 | 51094-3005 | 30     |
| 31.5 | 29 | 26 | -2805      | 28     |
| 29.5 | 27 | 24 | -2605      | 26     |
| 27.5 | 25 | 22 | -2405      | 24     |
| 25.5 | 23 | 20 | -2205      | 22     |
| 23.5 | 21 | 18 | -2005      | 20     |
| 21.5 | 19 | 16 | -1805      | 18     |
| 19.5 | 17 | 14 | -1605      | 16     |
| 17.5 | 15 | 12 | -1405      | 14     |
| 15.5 | 13 | 10 | -1205      | 12     |
| 13.5 | 11 | 8  | -1005      | 10     |
| 11.5 | 9  | 6  | -0805      | 8      |
| 9.5  | 7  | 4  | 51094-0605 | 6      |
| C    | B  | A  | ENG. NO.   | 極数CKT. |

注記 NOTES

1. 嵌合相手: 53313-\*\*-15  
MATES WITH :533133-\*\*-15
2. 材質: PBT, UL94V-0 (色: グレー)  
MATERIAL: PBT, UL94V-0 (COLOR: GRAY)
3. 適合ハウジング アッセンブリ: 52484-\*\*-10  
APPLICABLE HOUSING ASS'Y: 52484-\*\*-10
4. 適合ハウジング (52484-\*\*-10) の装着方法は、  
取扱説明書参照下さい。  
PLEASE REFER TO THE PRODUCT MANUAL ON THE CORRECT  
METHOD FOR ASS'Y HUSINGS(52484-\*\*-10) TO THIS PART.

|                         |       |        |                        |               |
|-------------------------|-------|--------|------------------------|---------------|
| 角度 ANGLE                | ±3°   |        |                        |               |
| 30以上 OVER               | +0.3  | A      | 変更 REVISD (130129)     | 93/3/17       |
| 10以上 30未満 UNDER         | +0.25 | O      | 新規仕様 PROPOSED (100867) | 91/10/16      |
| 10未満 UNDER              | +0.2  | 記号 LTR | 変更内容 REVISION RECORD   | DR. CHK. DATE |
| 一般公差 GENERAL TOLERANCES |       |        |                        |               |

REVISE ONLY ON CAD SYSTEM

|                   |                |                                     |       |
|-------------------|----------------|-------------------------------------|-------|
| 材料 MATERIAL       | 注記参照 SEE NOTES | MOLEX-JAPAN CO.,LTD.<br>日本モレックス株式会社 |       |
| 仕上げ FINISH        | ---            | EDP NO.                             |       |
| 適用電線範囲 WIRE RANGE | ---            | ENG. NO.                            | REV A |
| 被覆外径 INS. RANGE   | ---            | SD-51094-**-05                      |       |
| DRAWN BY 90/10/31 | CHK'D BY       | TITLE 名称                            |       |
| M.FUJIKURA        |                | 2.0 WIRE TO BOARD CLIP              |       |
| APP'D BY          | 尺度 SCALE       |                                     |       |

THIS DRAWING CONTAINS INFORMATION THAT IS PROPRIETARY TO MOLEX(JAPAN) AND SHOULD NOT BE USED WITHOUT WRITTEN PERMISSION  
本図面は日本モレックス(株)の所有する情報を含むもので 当社の許可なく複製を禁止する。