

Excellent Integrated System Limited

Stocking Distributor

Click to view price, real time Inventory, Delivery & Lifecycle Information:

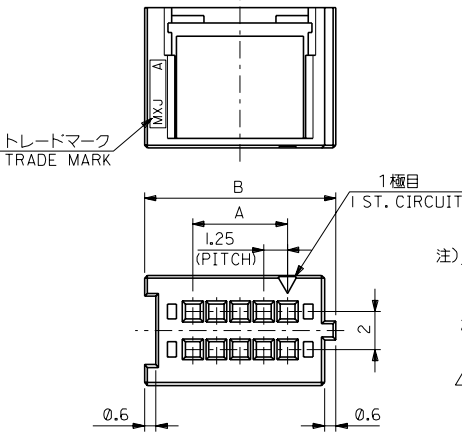
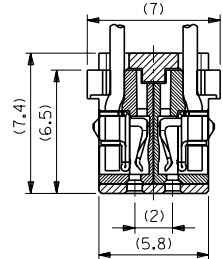
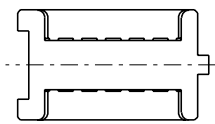
[Molex Connector Corporation](#)
[0545972400](#)

For any questions, you can email us directly:

sales@integrated-circuit.com

DWG. NO. SD-54597-002

①	フリップ CLIP	ナイロン NYLON	1	仕上げ FINISH UL 94V-0
---	-----------	------------	---	---------------------



注) NOTES
 1. 原料: 表参照
 MATERIAL: SEE CHART
 2. 適合ハウジングアセンブリ
 APPLICABLE HOUSING ASSEMBLY
 54596-***1*
 ③ 製品番号
 MATERIAL NO.
 54597-***0*
 極数 CIRCUIT SIZE (10~40)
 色 COLOR 00 : 自然色 NATURAL

ハウジングアセンブリ装着状態
 HOUSING ASSEMBLY WHEN ASSEMBLED

28.85	23.75	40	54597-400*	54597-***0*
27.6	22.5	38	54597-380*	
26.35	21.25	36	54597-360*	
25.1	20	34	54597-340*	
23.85	18.75	32	54597-320*	
22.6	17.5	30	54597-300*	
21.35	16.25	28	54597-280*	
20.1	15	26	54597-260*	
18.85	13.75	24	54597-240*	
17.6	12.5	22	54597-220*	
16.35	11.25	20	54597-200*	
15.1	10	18	54597-180*	
13.85	8.75	16	54597-160*	
12.6	7.5	14	54597-140*	
11.35	6.25	12	54597-120*	
10.1	5	10	54597-100*	

DO NOT SCALE DRAWING

8	EC NO. 変更 REVISION DRWN: CHK: APPR: EC NO. JD2001-045 DRWN:H.TAKASE 01/02/26 CHK: Y.IITO/S.ICHIKAWA APPR:H.IKESUGI	7	EC NO. 変更 REVISION DRWN: CHK: APPR: EC NO. JD2000-1366 DRWN:H.TAKASE 00/06/15 CHK: Y.IITO/S.ICHIKAWA APPR:H.IKESUGI	6	EC NO. 変更 REVISION DRWN: CHK: APPR: EC NO. JD2000-0734 DRWN:H.TAKASE 00/01/14 CHK: Y.IITO/S.ICHIKAWA APPR:H.IKESUGI 新製作成 RELEASED EC NO. JD2000-0679 DRWN:H.TAKASE 00/01/11 CHK: Y.IITO/S.ICHIKAWA APPR:H.IKESUGI	5	MATERIAL 材料 SEE CHART FINISH 仕上げ WIRE RANGE 適用電線範囲 INS. RANGE 被覆外径
---	---	---	--	---	---	---	---

4	GENERAL TOLERANCES: (UNLESS SPECIFIED) 一般公差 10 UNDER 未満 ±0.2 10 OVER 以上 30 UNDER 未満 ±0.25 30 OVER 以上 ±0.3 ANGLE 角度 ±3°	3	SCALE 5:1 DESIGN UNITS ④ mm ⑤ INCH DRAWN BY & DATE S. Takase '99/05/06 CHECKED BY & DATE Y. Ito APPROVED BY & DATE H. Ito CAD FILE NAME 54597002.S01	2	TITLE: Mini MI II CLIP THIRD ANGLE PROJECTION DIMENSIONS: ⑥ mm ⑦ INCH ⑧ mm ONLY MATERIAL NO. SEE CHART DRAWING NO. SD-54597-002 SHEET NO. 1 OF 1	1	SHT REV REVISE ON CAD ONLY
---	--	---	---	---	---	---	-------------------------------