

## Excellent Integrated System Limited

Stocking Distributor

Click to view price, real time Inventory, Delivery & Lifecycle Information:

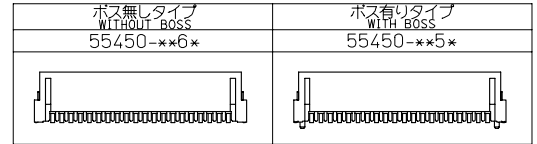
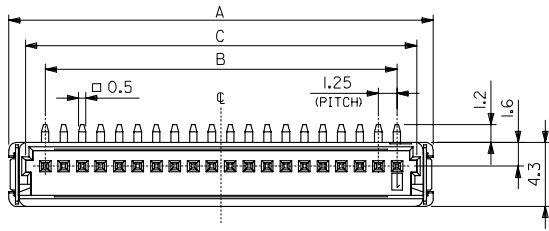
[Molex Connector Corporation](#)  
[0554500669](#)

For any questions, you can email us directly:

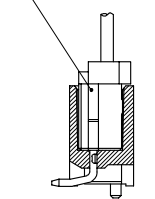
[sales@integrated-circuit.com](mailto:sales@integrated-circuit.com)

10 9 8 7 6 5 4 3 2 1

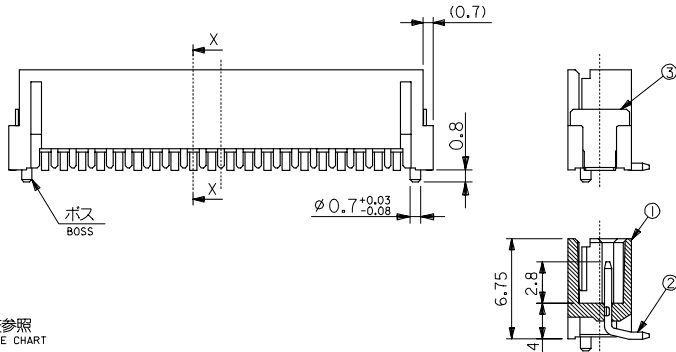
番号 No.	名称 NAME	原料 MATERIAL	数量 QTY	仕上げ FINISH
①	ウエハー WAFER	ナイロン NYLON	1	UL94V-0
②	ピン PIN	黄銅 BRASS	N	全体錫メッキ PRE-TINNED
③	フィッティングネール FITTING NAIL	黄銅 BRASS	2	錫メッキ TIN PLATING



54596-\*\*\*I\*  
リセプタクルアセンブリ  
REC. ASS'Y



嵌合図  
MATING REC.



断面 X-X  
SECTION X-X

27.05	26.25	26.4	23.75	28.65	20	55450-20**
25.8	25	25.15	22.5	27.4	19	-19**
24.55	23.75	23.9	21.25	26.15	18	-18**
23.3	22.5	22.65	20	24.9	17	-17**
22.05	21.25	21.4	18.75	23.65	16	-16**
20.8	20	20.15	17.5	22.4	15	-15**
19.55	18.75	18.9	16.25	21.15	14	-14**
18.3	17.5	17.65	15	19.9	13	-13**
17.05	16.25	16.4	13.75	18.65	12	-12**
15.8	15	15.15	12.5	17.4	11	-11**
14.55	13.75	13.9	11.25	16.15	10	-10**
13.3	12.5	12.65	10	14.9	9	-09**
12.05	11.25	11.4	8.75	13.65	8	-08**
10.8	10	10.15	7.5	12.4	7	-07**
9.55	8.75	8.9	6.25	11.15	6	-06**
8.3	7.5	7.65	5	9.9	5	-05**
7.05	6.25	6.4	3.75	8.65	4	-04**
5.8	5	5.15	2.5	7.4	3	-03**
4.55	3.75	3.9	1.25	6.15	2	55450-02**

注) NOTES

1. 原料および仕上げ: 表参照  
MATERIAL AND FINISH: SEE CHART
2. エンボス梱包品の詳細は、SD-55450-011 参照  
REFER TO THE SD-55450-011 FOR THE EMBOSSED PACKAGING.
3. 端子平坦度は 0.15 MAX. とする。  
COPLANARITY TO BE 0.15 MAX.

△ 製品番号

MATERIAL NO.

55450-\*\*\*\*

極数 CIRCUIT SIZE (02 ~ 20)

ボス BOSS 5: ボス有り WITH BOSS

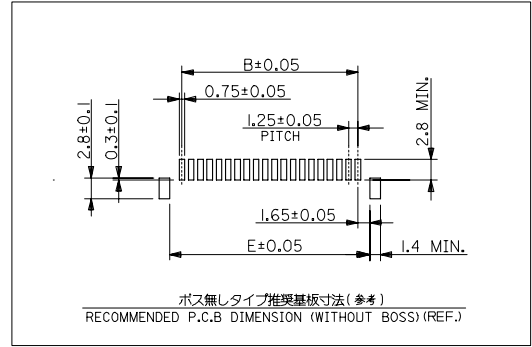
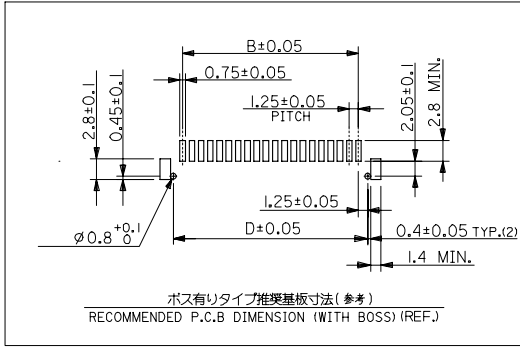
6: ボス無し WITHOUT BOSS

色 COLOR 0: 自然色 NATURAL

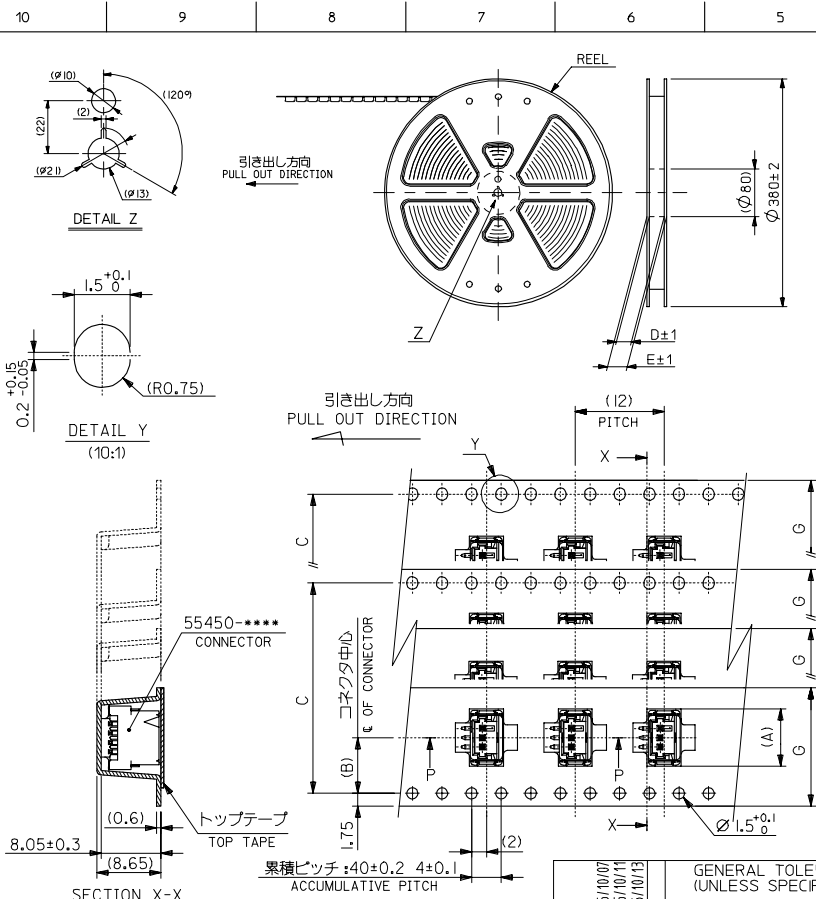
5. 本製品は 55450-\*\*10/\*\*30/\*\*70/\*\*80 の鉛フリー品である。  
THIS PRODUCT IS LEAD FREE OF 55450-\*\*10/\*\*30/\*\*70/\*\*80.

REVISED EC NO: J2007-0536 2006/09/01 DRAWN: YOTANI CHKD: NIKITA APPR: NIKITA 2006/09/08	GENERAL TOLERANCES (UNLESS SPECIFIED)		DIMENSION STYLE MM ONLY	SCALE 4:1	DESIGN UNITS METRIC	THIRD ANGLE PROJECTION
	10 UNDER	±0.2	DRAWN BY N.AIDA	DATE '05/02/01	TITLE MINI MI2 1-ROW SMT WAFER ASS'Y (TIN) -LEAD FREE-	
	10 OVER 30 UNDER	±0.25	CHECKED BY K.TOJO	DATE '05/02/01	MOLEX INCORPORATED	
	30 OVER	±0.3	APPROVED BY N.UKITA	DATE '05/02/01	MATERIAL NO. SEE CHART	DOCUMENT NO. SD-55450-010
REV A	ANGULAR ±3° DRAFT WHERE APPLICABLE MUST REMAIN WITHIN DIMENSIONS		SIZE A3 THIS DRAWING CONTAINS INFORMATION THAT IS PROPRIETARY TO MOLEX INCORPORATED AND SHOULD NOT BE USED WITHOUT WRITTEN PERMISSION			

10 9 8 7 6 5 4 3 2 1

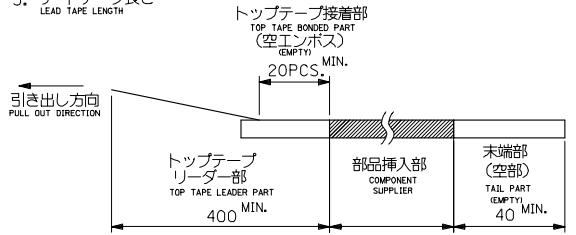


REVISED EC NO: JZ007-05366 2006/09/01 DRAWN: YOTANI CHKD: NIKITA APPR: NIKITA 2006/09/08	GENERAL TOLERANCES (UNLESS SPECIFIED)		DIMENSION STYLE MM ONLY	SCALE 4:1	DESIGN UNITS METRIC	THIRD ANGLE PROJECTION
	10 UNDER	±0.2	DRAWN BY N.AIDA	DATE '05/02/01	TITLE MINI MI2 1-ROW SMT WAFER ASS'Y (TIN) -LEAD FREE-	
	10 OVER 30 UNDER	±0.25	CHECKED BY K.TOJO	DATE '05/02/01	MOLEX INCORPORATED	
	30 OVER	±0.3	APPROVED BY N.UKITA	DATE '05/02/01		
ANGULAR	±3 °	MATERIAL NO.	SEE CHART	DOCUMENT NO. SD-55450-010	SHEET NO. 2 OF 2	
A	DRAFT WHERE APPLICABLE MUST REMAIN WITHIN DIMENSIONS		THIS DRAWING CONTAINS INFORMATION THAT IS PROPRIETARY TO MOLEX INCORPORATED AND SHOULD NOT BE USED WITHOUT WRITTEN PERMISSION			



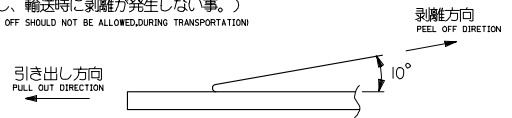
**注)**  
NOTES

- 製品番号 55450-\*\*\*\* の詳細寸法については、SD-55450-010を参照下さい。  
IN THE PACKAGE, PART NO. 55450-\*\*\*\* DETAILED DIMENSIONS, SEE SD-55450-010.
- 梱包数量 : 880個/リール  
NUMBER OF CONNECTORS : 880 PCS/REEL
- リードテープ長さ  
LEAD TAPE LENGTH



- トップテープの剥離強度 (剥離方向は下図参照)  
PEELING OFF FORCE OF TOP TAPE (PEELING DIRECTION AS SHOWN IN FOLLOWING FIG.)  
0.1~1.3N (10~130gf)

尚、本規格値は、出荷時に適用。  
(THIS REQUIREMENT SHOULD BE APPLIED AT SHIPMENT  
(但し、輸送時に剥離が発生しない事。)  
(PEEL OFF SHOULD NOT BE ALLOWED DURING TRANSPORTATION)



- 材料  
MATERIAL  
キャリアテープ : ポリプロピレン (PP)  
CARRIER TAPE : POLYPROPYLENE (PP)  
トップテープ : PET, PE, PEF  
TOP TAPE : PET, PE, PEF  
リール : ポリスチレン  
REEL : POLYSTYRENE

△ テープ巾32, 44mmに適合。  
THIS DIMENSION SHOULD BE APPLIED AT TAPE WIDTH OF 32, 44mm

- 本製品は 55450-\*\*19/\*\*39/\*\*79/\*\*89 の鉛フリー品である。  
THIS PRODUCT IS LEAD FREE OF 55450-\*\*19/\*\*39/\*\*79/\*\*89.

REVISED EC NO: J2006-1116 DRAWN: SUZUKI CHKD: TOYODA APP: NIKITA	2005/10/07	GENERAL TOLERANCES (UNLESS SPECIFIED)	DIMENSION STYLE MM ONLY	SCALE ---	DESIGN UNITS METRIC	THIRD ANGLE PROJECTION
	DESCRIPTION	10 UNDER ±---	DRAWN BY N.AIDA	DATE '05/02/01	TITLE EMBOSSED TAPE PACKAGE FOR 55450-**** -LEAD FREE-	
	10 OVER 30 UNDER ±---	30 OVER ±---	CHECKED BY K.TOJO	DATE '05/02/01	MOLEX INCORPORATED	
	ANGULAR ±---	DRAFT WHERE APPLICABLE MUST REMAIN WITHIN DIMENSIONS	APPROVED BY N.UKITA	DATE '05/02/01	MATERIAL NO. SEE CHART	DOCUMENT NO. SD-55450-011

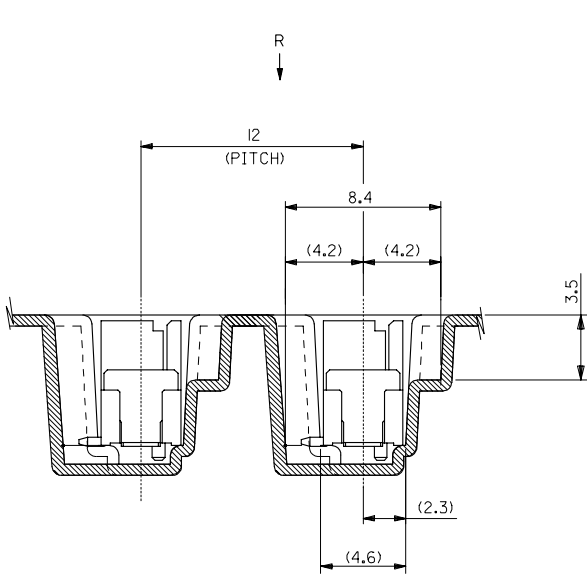
10 9 8 7 6 5 4 3 2 1

F  
E  
D  
C  
B  
A

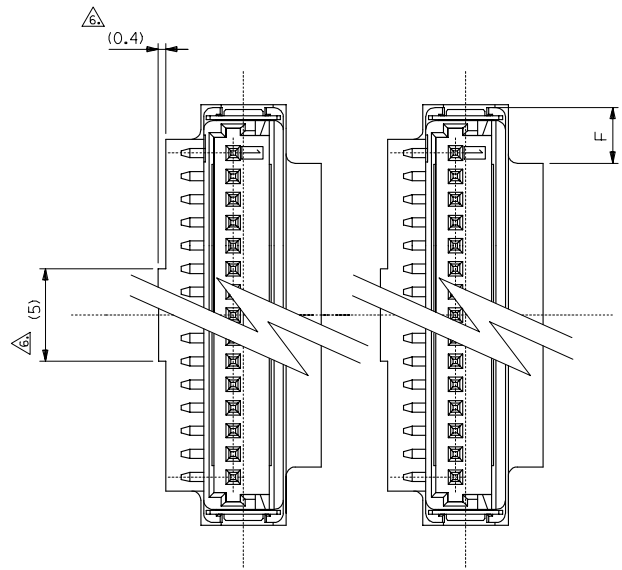
F  
E  
D  
C  
B  
A

G	F	E	(D)	C	(B)	(A)	CONNECTOR	インボス梱包品 製品番号	MODEL NO.	CONNECTOR	インボス梱包品 製品番号	MODEL NO.	種数 CIRCUIT SIZE	量産対応 AVAILABLE
44	3	49.4	45.4	40.4	20.2	28.95	55450-2060	55450-2069	55450-**69 ボス無し WITHOUT BOSS	55450-2050	55450-2059	55450-**59 ボス有り WITH BOSS	20	OK
						27.7	-1960	-1969		-1950	-1959		19	NO
						26.45	-1860	-1869		-1850	-1859		18	OK
						25.2	-1760	-1769		-1750	-1759		17	NO
						23.95	-1660	-1669		-1650	-1659		16	OK
						22.7	-1560	-1569		-1550	-1559		15	OK
32	2	37.4	33.4	28.4	14.2	21.45	-1460	-1469	-1450	-1459	14	OK		
						20.2	-1360	-1369	-1350	-1359	13	OK		
						18.95	-1260	-1269	-1250	-1259	12	OK		
						17.7	-1160	-1169	-1150	-1159	11	OK		
						16.45	-1060	-1069	-1050	-1059	10	OK		
						15.2	-0960	-0969	-0950	-0959	9	NO		
24	2	29.4	25.4	11.5	13.95	-0860	-0869	-0850	-0859	8	OK			
					12.7	-0760	-0769	-0750	-0759	7	OK			
					11.45	-0660	-0669	-0650	-0659	6	OK			
					10.2	-0560	-0569	-0550	-0559	5	OK			
					8.95	-0460	-0469	-0450	-0459	4	NO			
					7.7	-0360	-0369	-0350	-0359	3	OK			
16	21.4	17.4	7.5	6.45	55450-0260	55450-0269	55450-0250	55450-0259	2	OK				

REVISIONS	2005/10/07	GENERAL TOLERANCES (UNLESS SPECIFIED)	DIMENSION STYLE	SCALE	DESIGN UNITS	THIRD ANGLE PROJECTION
REVISED	EC NO: J2006-1116	10 UNDER ±---	MM ONLY	---	METRIC	
DRW: NE SUZUKI	2005/10/11	10 OVER 30 UNDER ±---	DRAWN BY	DATE	TITLE	EMBOSSED TAPE PACKAGE FOR 55450-**** -LEAD FREE-
CHK: KIKIYO ODA	2005/10/13	30 OVER ±---	N.AIDA	'05/02/01		
APP: NIKITA		ANGULAR ±---°	CHECKED BY	DATE		
		DRAFT WHERE APPLICABLE MUST REMAIN WITHIN DIMENSIONS	K.TOJO	'05/02/01		
			APPROVED BY	DATE		
			N.UKITA	'05/02/01		
			MATERIAL NO.	DOCUMENT NO.		
			SEE CHART	SD-55450-011		
			SIZE			
			A3			



SECTION P-P  
(5:1)



VIEW R  
(5:1)

REVISED EC NO: J2006-1116 DRW:NE SUZUKI CHK:KYOYODA APPR:NIKITA 2005/10/07 2005/10/11 2005/10/13	GENERAL TOLERANCES (UNLESS SPECIFIED)		DIMENSION STYLE MM ONLY		SCALE 5:1	DESIGN UNITS METRIC	THIRD ANGLE PROJECTION
	10 UNDER	±---	DRAWN BY N.AIDA	DATE '05/02/01	TITLE EMBOSED TAPE PACKAGE FOR 55450-**** -LEAD FREE-		
	10 OVER 30 UNDER	±---	CHECKED BY K.TOJO	DATE '05/02/01	MOLEX INCORPORATED		
	30 OVER	±---	APPROVED BY N.UKITA	DATE '05/02/01	MATERIAL NO. SEE CHART DOCUMENT NO. SD-55450-011 SHEET NO. 3 OF 3		
DESCRIPTION	ANGULAR	±---	DRAFT WHERE APPLICABLE MUST REMAIN WITHIN DIMENSIONS				
REV	SIZE A3 THIS DRAWING CONTAINS INFORMATION THAT IS PROPRIETARY TO MOLEX INCORPORATED AND SHOULD NOT BE USED WITHOUT WRITTEN PERMISSION						