

Excellent Integrated System Limited

Stocking Distributor

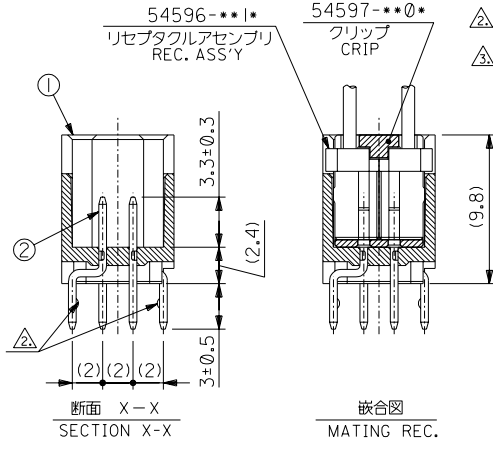
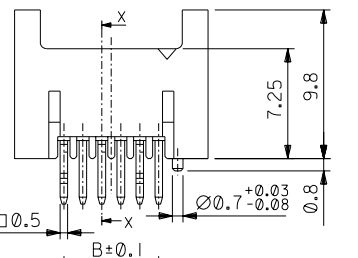
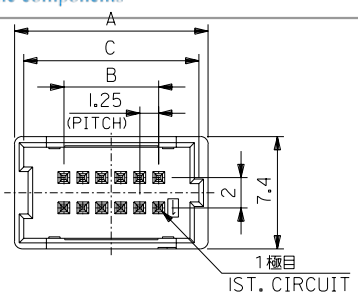
Click to view price, real time Inventory, Delivery & Lifecycle Information:

[Molex Connector Corporation](#)
[0554512070](#)

For any questions, you can email us directly:
sales@integrated-circuit.com

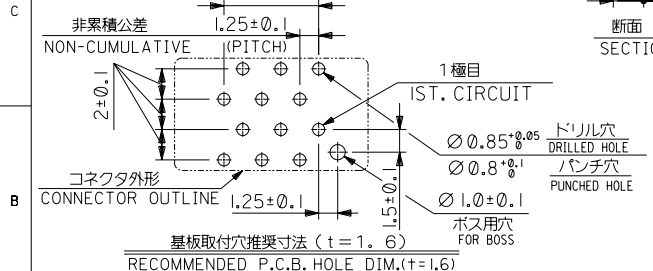
DWG. NO. SD-55451-006

番号 NO.	名称 NAME	原料 MATERIAL	数量 QTY	仕上げ FINISH
①	ウェハー WEFAR	ナイロン NYLON	1	UL 94V-0
②	ピン PIN	黄銅 BRASS	N	全体錫メッキ PRE-TINNED



注)NOTES
 1. 原料および仕上げ: 表参照
 MATERIAL AND FINISH: SEE CHART
 △ キンフは、両サイド4ピンに適用。(4極品までは、全極に適用)
 TO BE APPLICABLE 4 PIN OF BOTH SIDE.
 △ 製品番号
 MATERIAL NO.
 55451-***7*
 極数 CIRCUIT SIZE (10 ~ 40)
 メッキ仕様: 無鉛 PLATING: LEAD FREE
 色 COLOR 0: 自然色 NATURAL

29.05	23.75	30.25	40	55451-407*
27.8	22.5	29	38	-387*
26.55	21.25	27.75	36	-367*
25.3	20	26.5	34	-347*
24.05	18.75	25.25	32	-327*
22.8	17.5	24	30	-247*
21.55	16.25	22.75	28	-287*
20.3	15	21.5	26	-267*
19.05	13.75	20.25	24	-247*
17.8	12.5	19	22	-227*
16.55	11.25	17.75	20	-207*
15.3	10	16.5	18	-187*
14.05	8.75	15.25	16	-167*
12.8	7.5	14	14	-147*
11.55	6.25	12.75	12	-127*
10.3	5	11.5	10	55451-107*



無鉛
LEAD FREE

DO NOT SCALE DRAWING				GENERAL TOLERANCES: (UNLESS SPECIFIED)		SCALE	DESIGN UNITS	THIRD ANGLE PROJECTION		DIMENSIONS:		SHT	REV
EC NO.	DRWN:	CHK:	APPR:	10 UNDER	30 UNDER	4-1	mm	INCH	mm	INCH	mm	ONLY	REVISE ON CAD ONLY
8				10 OVER	30 OVER				THIRD ANGLE	mm	INCH		
7													
6													
5													
4													
3													
2													
1													

MATERIAL 材料 SEE CHART
 FINISH 仕上げ SEE CHART
 WIRE RANGE 適用電線範囲
 INS. RANGE 被覆外径
 GENERAL TOLERANCES: (UNLESS SPECIFIED)
 10 UNDER 未満 +0.2
 10 OVER 以上 30 UNDER 未満 +0.25
 30 OVER 以上 +0.3
 SCALE 4-1
 DESIGN UNITS mm INCH
 THIRD ANGLE PROJECTION
 DIMENSIONS: mm INCH mm INCH mm ONLY
 SHT REV
 REVISE ON CAD ONLY
 TITLE: Mini MII 2-ROW WAFER ASS'Y (Sn)
 MOLEX INCORPORATED
 MATERIAL NO. SEE CHART
 DRAWING NO. SD-55451-006
 SHEET NO. 1 OF 1
 THIS DRAWING CONTAINS INFORMATION THAT IS PROPRIETARY TO MOLEX INCORPORATED AND SHOULD NOT BE USED WITHOUT WRITTEN PERMISSION.
 SIZE B
 EN-02J(097) MXJ-54