

## Excellent Integrated System Limited

Stocking Distributor

Click to view price, real time Inventory, Delivery & Lifecycle Information:

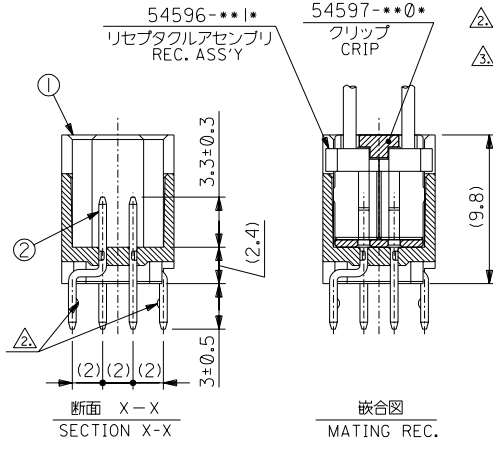
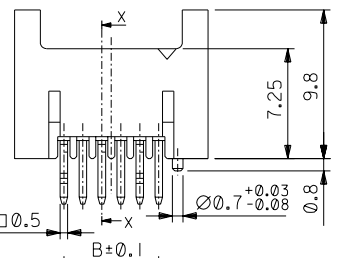
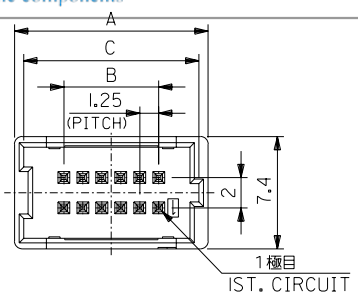
[Molex Connector Corporation](#)  
[0554512270](#)

For any questions, you can email us directly:

[sales@integrated-circuit.com](mailto:sales@integrated-circuit.com)

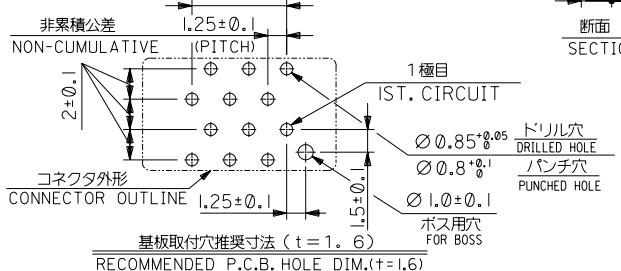
DWG. NO. SD-55451-006

番号 NO.	名称 NAME	原料 MATERIAL	数量 QTY	仕上げ FINISH
①	ウェハー WEFAR	ナイロン NYLON	1	UL94V-0
②	ピン PIN	黄銅 BRASS	N	全体錫メッキ PRE-TINNED



注)NOTES  
 1. 原料および仕上げ: 表参照  
 MATERIAL AND FINISH : SEE CHART  
 △ キンフは、両サイド4ピンに適用。(4極目までは、全極に適用)  
 TO BE APPLICABLE 4 PIN OF BOTH SIDE.  
 △ 製品番号  
 MATERIAL NO.  
 55451-\*\*\*  
 極数 CIRCUIT SIZE (10 ~ 40)  
 メッキ仕様: 無鉛 PLATING: LEAD FREE  
 色 COLOR ○: 自然色 NATURAL

29.05	23.75	30.25	40	55451-407*
27.8	22.5	29	38	-387*
26.55	21.25	27.75	36	-367*
25.3	20	26.5	34	-347*
24.05	18.75	25.25	32	-327*
22.8	17.5	24	30	-247*
21.55	16.25	22.75	28	-287*
20.3	15	21.5	26	-267*
19.05	13.75	20.25	24	-247*
17.8	12.5	19	22	-227*
16.55	11.25	17.75	20	-207*
15.3	10	16.5	18	-187*
14.05	8.75	15.25	16	-167*
12.8	7.5	14	14	-147*
11.55	6.25	12.75	12	-127*
10.3	5	11.5	10	55451-107*



無鉛  
LEAD FREE

DO NOT SCALE DRAWING

EC NO. DRAWN: CHK'G: APPR:	EC NO. DRAWN: CHK'G: APPR:	EC NO. DRAWN: CHK'G: APPR:	EC NO. DRAWN: CHK'G: APPR:	新製作成 RELEASED EC NO. J2003-2786 DRAWN: YOSHIDA 03/05/01 CHK'G: MYAGI APPR: YOJITO	DESCRIPTION	MATERIAL 材料	GENERAL TOLERANCES: (UNLESS SPECIFIED) 一般公差	SCALE 4:1	DESIGN UNITS mm INCH	THIRD ANGLE PROJECTION	DIMENSIONS: mm INCH mm INCH mm ONLY	SHT REV
						SEE CHART	10 UNDER 未満 +0.2 10 OVER 以上 30 UNDER 未満 +0.25 30 OVER 以上 +0.3	DRAWN BY & DATE N. YOSHIDA '03/02/12	TITLE: Mini MII 2-ROW WAFER ASS'Y (Sn)	REVISION ON CAD ONLY		
8	7	6	5	4	3	2	1	FINISH 仕上げ	APPROVED BY & DATE Y.O.	MATERIAL NO. SEE CHART	DRAWING NO. SD-55451-006	SHEET NO. 1 OF 1
								SEE CHART	CAD FILENAME 55451006.S01	MATERIAL NO. SEE CHART	DRAWING NO. SD-55451-006	SHEET NO. 1 OF 1
WIRE RANGE 適用電線範囲						ANGLE 角度	THIS DRAWING CONTAINS INFORMATION THAT IS PROPRIETARY TO MOLEX INCORPORATED AND SHOULD NOT BE USED WITHOUT WRITTEN PERMISSION.		SIZE B		EN-02J(097)MXJ-54	