

Excellent Integrated System Limited

Stocking Distributor

Click to view price, real time Inventory, Delivery & Lifecycle Information:

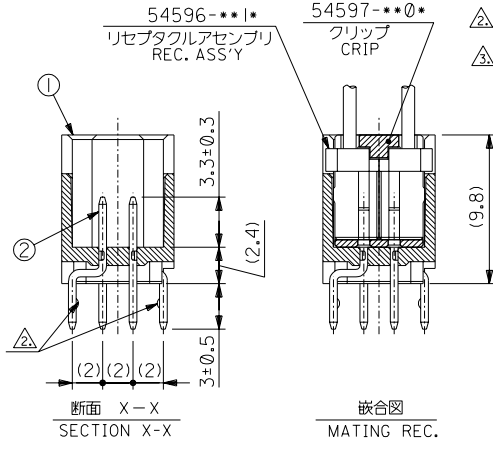
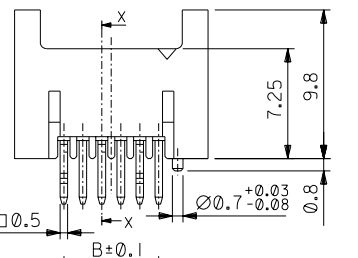
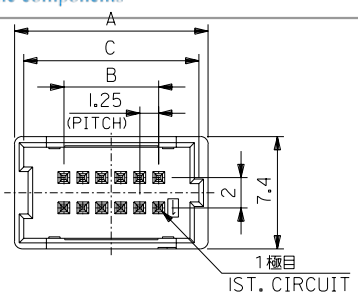
[Molex Connector Corporation](#)
[0554514070](#)

For any questions, you can email us directly:

sales@integrated-circuit.com

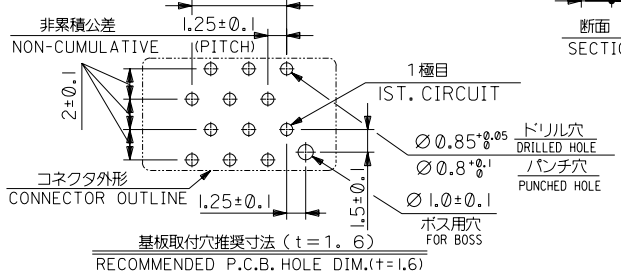
DWG. NO. SD-55451-006

番号 NO.	名称 NAME	原料 MATERIAL	数量 QTY	仕上げ FINISH
①	ウエハー WEFAR	ナイロン NYLON	1	UL 94V-0
②	ピン PIN	黄銅 BRASS	N	全体錫メッキ PRE-TINNED



注)NOTES
 1. 原料および仕上げ: 表参照
 MATERIAL AND FINISH : SEE CHART
 △ キンフは、両サイド4ピンに適用。(4極品までは、全極に適用)
 TO BE APPLICABLE 4 PIN OF BOTH SIDE.
 △ 製品番号
 MATERIAL NO.
 55451-***7
 極数 CIRCUIT SIZE (10 ~ 40)
 メッキ仕様: 無鉛 PLATING: LEAD FREE
 色 COLOR ○: 自然色 NATURAL

29.05	23.75	30.25	40	55451-407*
27.8	22.5	29	38	-387*
26.55	21.25	27.75	36	-367*
25.3	20	26.5	34	-347*
24.05	18.75	25.25	32	-327*
22.8	17.5	24	30	-247*
21.55	16.25	22.75	28	-287*
20.3	15	21.5	26	-267*
19.05	13.75	20.25	24	-247*
17.8	12.5	19	22	-227*
16.55	11.25	17.75	20	-207*
15.3	10	16.5	18	-187*
14.05	8.75	15.25	16	-167*
12.8	7.5	14	14	-147*
11.55	6.25	12.75	12	-127*
10.3	5	11.5	10	55451-107*



無鉛
LEAD FREE

DO NOT SCALE DRAWING				REV		GENERAL TOLERANCES: (UNLESS SPECIFIED)		SCALE		DESIGN UNITS		THIRD ANGLE PROJECTION		DIMENSIONS:		SHT		REV	
EC NO. DRAWN: CHK'G: APPR:	EC NO. DRAWN: CHK'G: APPR:	EC NO. DRAWN: CHK'G: APPR:	EC NO. DRAWN: CHK'G: APPR:	0		10 UNDER 未満	+0.2	4:1	mm	mm	mm	mm	mm	mm	mm	mm			
MATERIAL 材料 SEE CHART				DESCRIPTION		10 OVER 以上	+0.25	DRAWN BY & DATE N. YOSHIDA '03/02/12		TITLE: Mini MII 2-ROW WAFER ASS'Y (Sn)		THIRD ANGLE PROJECTION		mm		SHT		REV	
FINISH 仕上げ SEE CHART				DESCRIPTION		30 UNDER 未満	+0.25	CHECKED BY & DATE		MOLEX INCORPORATED		mm		mm		mm		mm	
WIRE RANGE 適用電線範囲				DESCRIPTION		30 OVER 以上	+0.3	APPROVED BY & DATE		MATERIAL NO. SEE CHART		mm		mm		mm		mm	
INS. RANGE 被覆外径				DESCRIPTION		ANGLE 角度		CAD FILENAME 55451006.S01		DRAWING NO. SD-55451-006		mm		mm		mm		mm	
				DESCRIPTION				THIS DRAWING CONTAINS INFORMATION THAT IS PROPRIETARY TO MOLEX INCORPORATED AND SHOULD NOT BE USED WITHOUT WRITTEN PERMISSION.		SHEET NO. 1 OF 1		mm		mm		mm		mm	