

## Excellent Integrated System Limited

Stocking Distributor

Click to view price, real time Inventory, Delivery & Lifecycle Information:

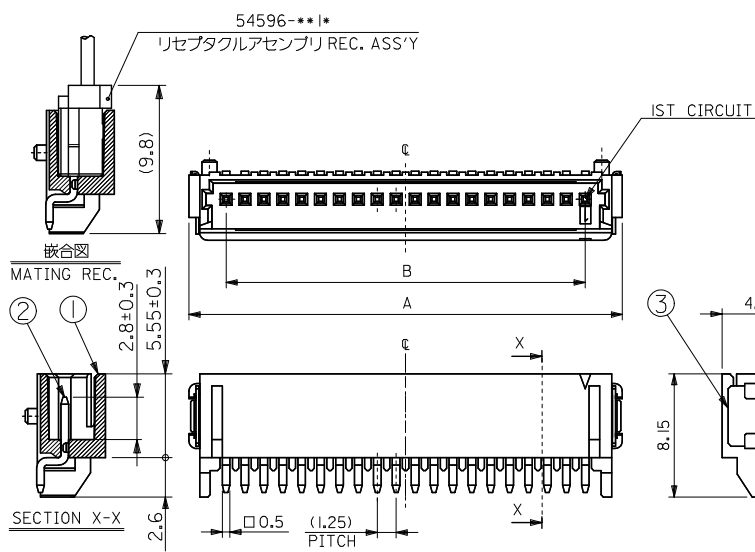
[Molex Connector Corporation](#)  
[0554560569](#)

For any questions, you can email us directly:

[sales@integrated-circuit.com](mailto:sales@integrated-circuit.com)

10 9 8 7 6 5 4 3 2 1

番号 NO.	名称 NAME	材料 MATERIAL	数量 QTY	仕上げ FINISH
①	ウエハー WAFER	ナイロン NYLON	1	UL94V-0 色:原色 COLOR:NATURAL
②	ピン PIN	黄銅 BRASS	N	全体鍍メッキ PRE-TINNED
③	ネール NAIL	黄銅 BRASS	2	鍍メッキ TIN PLATING



ボス無しタイプ WITHOUT BOSS	ボス有りタイプ WITH BOSS
55456-***6*	55456-***5*



- 注記 NOTES**
- 材料及び仕上げ: 表参照  
MATERIAL AND FINISH: SEE CHART
  - エンボス梱包品の詳細は、SD-55456-011を参照の事。  
DETAILED TAPING PACKAGE, SEE SD-55456-011

③ 製品番号 MATERIAL NO.  
55456-\*\*\*\*

極数 CIRCUIT SIZE (02~20)

ボス BOSS 5: 有り WITH BOSS  
6: 無し WITHOUT BOSS

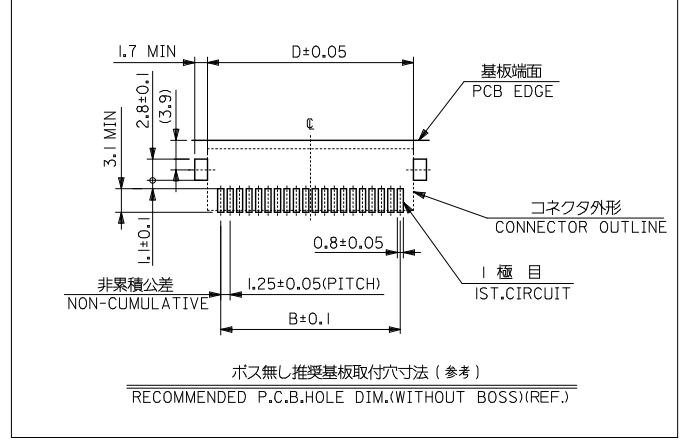
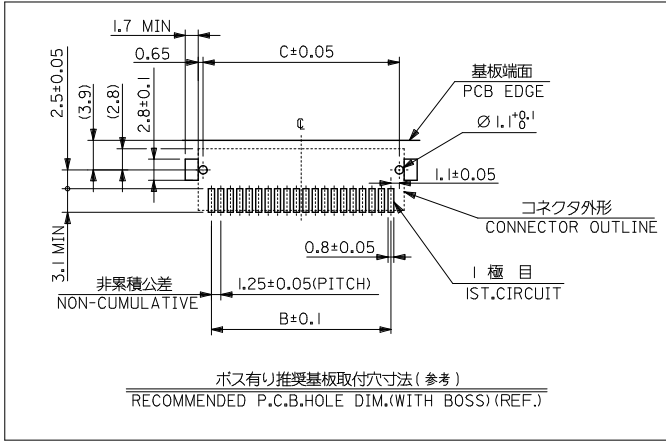
色 COLOR 0: 自然色 NATURAL

55456-2060				55456-2050			
27.25	25.95	23.75	28.65	27.25	25.95	23.75	28.65
26	24.7	22.5	27.4	26	24.7	22.5	27.4
24.75	23.45	21.25	26.15	24.75	23.45	21.25	26.15
23.5	22.2	20	24.9	23.5	22.2	20	24.9
22.25	20.95	18.75	23.65	22.25	20.95	18.75	23.65
21	19.7	17.5	22.4	21	19.7	17.5	22.4
19.75	18.45	16.25	21.15	19.75	18.45	16.25	21.15
18.5	17.2	15	19.9	18.5	17.2	15	19.9
17.25	15.95	13.75	18.65	17.25	15.95	13.75	18.65
16	14.7	12.5	17.4	16	14.7	12.5	17.4
14.75	13.45	11.25	16.15	14.75	13.45	11.25	16.15
13.5	12.2	10	14.9	13.5	12.2	10	14.9
12.25	10.95	8.75	13.65	12.25	10.95	8.75	13.65
11	9.7	7.5	12.4	11	9.7	7.5	12.4
9.75	8.45	6.25	11.15	9.75	8.45	6.25	11.15
8.5	7.2	5	9.9	8.5	7.2	5	9.9
7.25	5.95	3.75	8.65	7.25	5.95	3.75	8.65
6	4.7	2.5	7.4	6	4.7	2.5	7.4
4.75	3.45	1.25	6.15	4.75	3.45	1.25	6.15
D	C	B	A	D	C	B	A

REVISED EC NO. J2016-0718 DRAWN: SHIMONISHI 2016/01/27 CHK: KOKURAKAMI 2116/01/27 APPR: TANAKA 2016/02/16	GENERAL TOLERANCES (UNLESS SPECIFIED)		DIMENSION STYLE MM ONLY	SCALE 4:1	DESIGN UNITS METRIC	THIRD ANGLE PROJECTION
	10 UNDER ±0.2	10 OVER 30 UNDER ±0.25	DRAWN BY N.AIDA	DATE '05/02/04	TITLE MINI MI2 1-ROW R/A SMT ASS'Y -LEAD FREE-	
	30 OVER ±0.3	ANGULAR ±3°	CHECKED BY K.TOJO	DATE '05/02/04	MOLEX INCORPORATED	
	DRAFT WHERE APPLICABLE MUST REMAIN WITHIN DIMENSIONS		APPROVED BY N.UKITA	DATE '05/02/04	DOCUMENT NO. SD-55456-010	SHEET NO. 1 OF 2

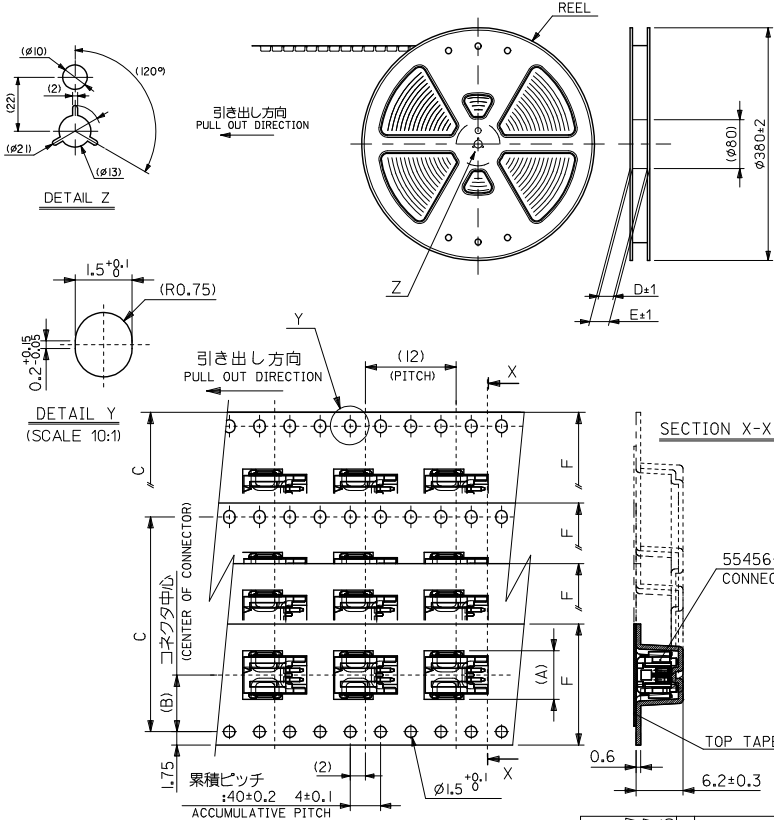
4. 本製品は 55456-\*\*\*10/\*\*30/\*\*70/\*\*80 の鉛フリー品である。  
THIS PRODUCT IS LEAD FREE OF 55456-\*\*\*10/\*\*30/\*\*70/\*\*80.

10 9 8 7 6 5 4 3 2 1



REVISED	EC NO. J2016-0718	GENERAL TOLERANCES (UNLESS SPECIFIED)	DIMENSION STYLE	SCALE	DESIGN UNITS	THIRD ANGLE PROJECTION
	DRW:SHIMONISHI 2016/01/27	10 UNDER ± 0.2	MM ONLY	4:1	METRIC	
	CHK:KOMURAKAMI 2016/01/27	10 OVER 30 UNDER ± 0.25	DRAWN BY N.AIDA DATE '05/02/04	TITLE		
	APPR:KANeko 2016/02/16	30 OVER ± 0.3	CHECKED BY K.TOJO DATE '05/02/04	MINI MI2 1-ROW R/A SMT ASS'Y -LEAD FREE-		
REV A	DESCRIPTION	ANGULAR ± 3 °	APPROVED BY N.UKITA DATE '05/02/04	MOLEX INCORPORATED		SHEET NO. 2 OF 2
DRAFT WHERE APPLICABLE MUST REMAIN WITHIN DIMENSIONS		SEE CHART	MATERIAL NO.	DOCUMENT NO. SD-55456-010	THIS DRAWING CONTAINS INFORMATION THAT IS PROPRIETARY TO MOLEX INCORPORATED AND SHOULD NOT BE USED WITHOUT WRITTEN PERMISSION	

10 9 8 7 6 5 4 3 2 1



注記  
NOTES

- 製品番号 55456-\*\*\*\* の詳細寸法については、SD-55456-010 を参照下さい。  
IN THE PACKAGE, PART NO. 55456-\*\*\*\* DETAILED DIMENSION, SEE SD-55456-010
- 梱包数量: 1250個/リール  
NUMBER OF CONNECTORS: 1250 PCS/REEL
- リードテープ長さ  
LEAD TAPE LENGTH  
引き出し方向  
PULL OUT DIRECTION  
トップテープ接着部  
TOP TAPE BONDED PART  
(空インボス)  
(EMPTY)  
25±10 20-25PCS.  
トップテープ  
リーダー部  
TOP TAPE LEADER PART  
700±80  
部品挿入部  
COMPONENT  
SUPPLIER  
末端部  
(空部)  
TAIL PART  
(EMPTY)  
8-15PCS.
- トップテープの剥離強度: 0.1~1.3 (10~130gf)  
(剥離方向は下図参照)  
<剥離速度: 300mm/min (参考)>  
PEEL-OFF FORCE OF TOP TAPE: 0.1~1.3 (10~130gf)  
(PEELING DIRECTION AS SHOWN IN FOLLOWING FIG.)  
<PEEL-OFF SPEED: 300mm/min (REF.)>  
尚、本規格値は、出荷時に適用。  
(但し、輸送時に剥離が発生しない事。) PULL OUT DIRECTION  
THIS REQUIREMENT SHOULD BE APPLIED AT SHIPMENT  
(PEEL OFF SHOULD NOT BE ALLOWED, DURING TRANSPORTATION)  
剥離方向  
PEEL OFF DIRECTION  
10°
- 材料  
MATERIAL  
キャリアテープ: ポリプロピレン  
CARRIER TAPE: POLYPROPYLENE  
トップテープ: PET, PE, PP  
TOP TAPE: PET, PE, PEF  
リール: ポリスチレン  
REEL: POLYSTYRENE
- 本製品は 55456-\*\*19/\*\*39/\*\*79/\*\*89 の鉛フリー品である。  
THIS PRODUCT IS LEAD FREE OF 55456-\*\*19/\*\*39/\*\*79/\*\*89.

REVISED EC NO: J2016-0718 DRAWN BY: SSIHMONISHI 2016/01/27 CHKD: KOKURAMAKI 2016/01/27 APPR: IKANEKO 2016/02/16	GENERAL TOLERANCES (UNLESS SPECIFIED)		DIMENSION STYLE MM ONLY	SCALE 2:1	DESIGN UNITS METRIC	THIRD ANGLE PROJECTION	
	10 UNDER	±0.2	DRAWN BY N.AIDA	DATE '05/02/04	EMBOSSED TAPE PACKAGE FOR 55456-**** -LEAD FREE- MOLEX INCORPORATED		
	10 OVER 30 UNDER	±0.25	CHECKED BY K.TOJO	DATE '05/02/04			
	30 OVER	±0.3	APPROVED BY N.UKITA	DATE '05/02/04			
ANGULAR	±3 °	DRAFT WHERE APPLICABLE MUST REMAIN WITHIN DIMENSIONS		MATERIAL NO. SEE CHART	DOCUMENT NO. SD-55456-011	SHEET NO. 1 OF 2	
A	THIS DRAWING CONTAINS INFORMATION THAT IS PROPRIETARY TO MOLEX INCORPORATED AND SHOULD NOT BE USED WITHOUT WRITTEN PERMISSION						

10 9 8 7 6 5 4 3 2 1

44	49.4	45.4	40.4	20.2	28.95	55456-2060	55456-2069	55456-**69 ボス無し WITHOUT BOSS	55456-2050	55456-2059	55456-**59 ボス有り WITH BOSS	20
					27.7	-1960	-1969		-1950	-1959		19
					26.45	-1860	-1869		-1850	-1859		18
					25.2	-1760	-1769		-1750	-1759		17
					23.95	-1660	-1669		-1650	-1659		16
					22.7	-1560	-1569		-1550	-1559		15
32	37.4	33.4	28.4	14.2	21.45	-1460	-1469	-1450	-1459	14		
					20.2	-1360	-1369	-1350	-1359	13		
					18.95	-1260	-1269	-1250	-1259	12		
					17.7	-1160	-1169	-1150	-1159	11		
24	29.4	25.4	11.5	16.45	-1060	-1069	-1050	-1059	10			
				15.2	-0960	-0969	-0950	-0959	9			
				13.95	-0860	-0869	-0850	-0859	8			
				12.7	-0760	-0769	-0750	-0759	7			
				11.45	-0660	-0669	---	---	6			
16	21.4	17.4	7.5	10.2	-0560	-0569	-0550	-0559	5			
				8.95	-0460	-0469	-0450	-0459	4			
				7.7	-0360	-0369	---	---	3			
F	E	(D)	(C)	(B)	(A)	CONNECTOR	エンボス梱包品 製品番号 MATERIAL NO.	MODEL NO.	CONNECTOR	エンボス梱包品 製品番号 MATERIAL NO.	MODEL NO.	極 数 CIRCUIT SIZE

REVISED EC NO: J2016-0718 DRAWN: SSIHIMONISHI 2016/01/27 CHKD: KOMURAKAMI 2016/01/27 APP: TAKANAKO 2016/02/16	GENERAL TOLERANCES (UNLESS SPECIFIED)		DIMENSION STYLE MM ONLY		SCALE 2:1	DESIGN UNITS METRIC	THIRD ANGLE PROJECTION
	10 UNDER	± 0.2	DRAWN BY N. AIDA	DATE '05/02/04	TITLE EMBOSSED TAPE PACKAGE FOR 55456-**** -LEAD FREE-		
	10 OVER 30 UNDER	± 0.25	CHECKED BY K. TOJO	DATE '05/02/04	MOLEX INCORPORATED		
	30 OVER	± 0.3	APPROVED BY N. UKITA	DATE '05/02/04	DOCUMENT NO. SD-55456-011		
A	ANGULAR	± 3 °	MATERIAL NO. SEE CHART		SHEET NO. 2 OF 2		
DRAFT WHERE APPLICABLE MUST REMAIN WITHIN DIMENSIONS				THIS DRAWING CONTAINS INFORMATION THAT IS PROPRIETARY TO MOLEX INCORPORATED AND SHOULD NOT BE USED WITHOUT WRITTEN PERMISSION			