

Excellent Integrated System Limited

Stocking Distributor

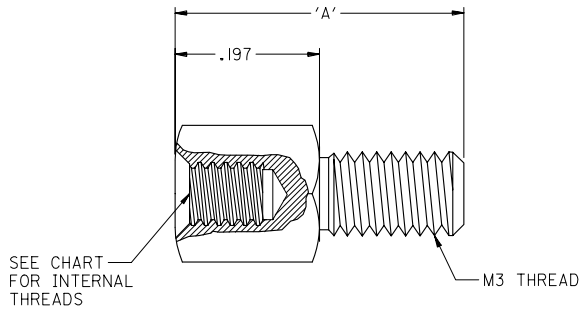
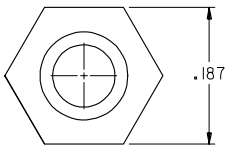
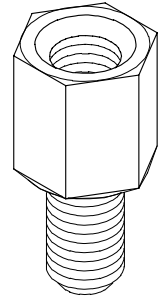
Click to view price, real time Inventory, Delivery & Lifecycle Information:

[Molex Connector Corporation](#)
[0709821005](#)

For any questions, you can email us directly:

sales@integrated-circuit.com

ITEM #	INTERNAL THREAD	EXTERNAL THREAD	DIMENSION 'A'	FINISH
70982-1003	4-40 UNC	M3	.433	CLEAR TRIVALENT CHROMATE
70982-1004	M3	M3	.394	TIN
70982-1005	4-40 UNC	M3	.394	CLEAR TRIVALENT CHROMATE



SEE CHART FOR INTERNAL THREADS

NOTE FOR LEAD FREE CONVERSION:
 THE PRIMARY SHIPPING CARTON WILL BE LABELED "COMPLIANT TO RoHS DIRECTIVE 2002/95/EC AND ELV ANNEX II OF DIRECTIVE 2000/53/EC". CARTONS WITHOUT THIS LABEL MAY CONTAIN PRODUCT WITH LEAD.

ROHS COMPLIANT EC NO. UCP2006-1389 IDP/MS/BARRA 2006/01/18 CHY/CS/MART 2006/01/24 APPR: SHTLER 2006/01/26	QUALITY SYMBOLS ▽=0 ▽=0	GENERAL TOLERANCES (UNLESS SPECIFIED)		DIMENSION STYLE INCH ONLY		SCALE 8:1	DESIGN UNITS INCH	THIRD ANGLE PROJECTION	
		4 PLACES	± .005	± .005	DRAWN BY MOS	DATE 94/01/17	TITLE 3/16 HEX. SCREWLOCK HARDWARE KIT SALES DETAIL		
		3 PLACES	± .005	± .005	CHECKED BY DRS	DATE 94/01/17	MOLEX INCORPORATED		
		2 PLACES	± .005	± .005	APPROVED BY GW	DATE 94/01/17	MATERIAL NO. SEE TABLE	DOCUMENT NO. SD-70982-****	SHEET NO. 1 OF 1
DRAFT WHERE APPLICABLE MUST REMAIN WITHIN DIMENSIONS		ANGULAR ±1/2°		THIS DRAWING CONTAINS INFORMATION THAT IS PROPRIETARY TO MOLEX INCORPORATED AND SHOULD NOT BE USED WITHOUT WRITTEN PERMISSION					