

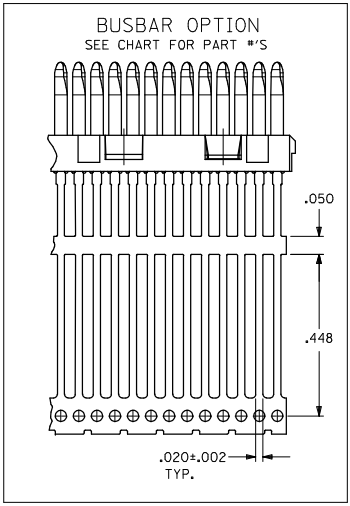
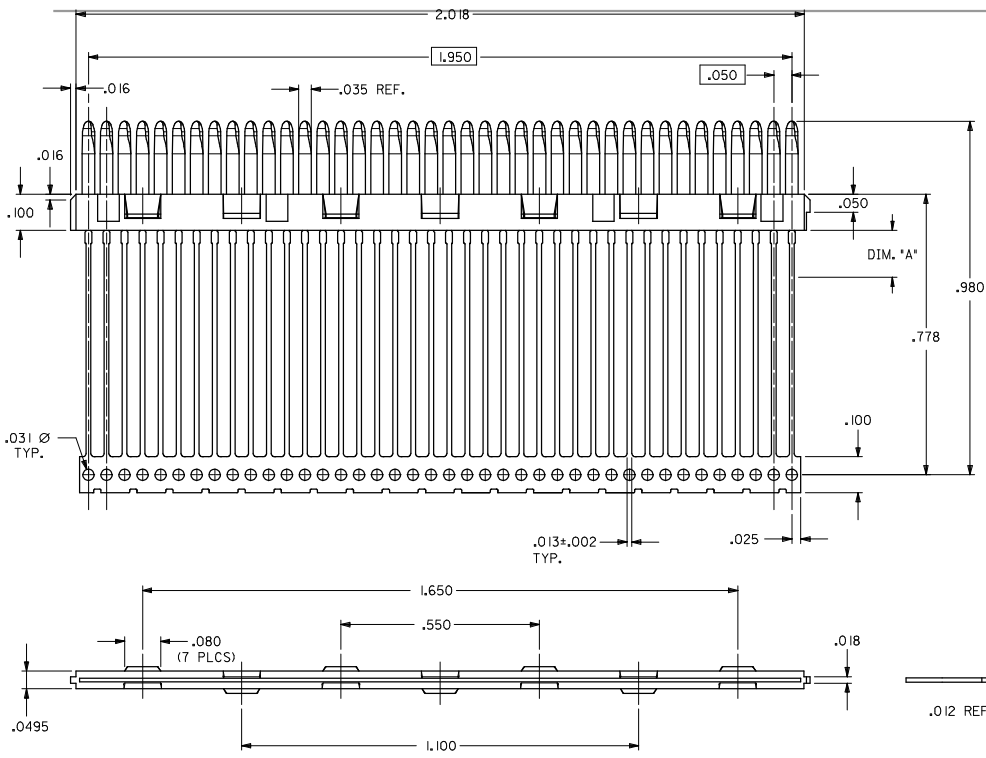
Excellent Integrated System Limited

Stocking Distributor

Click to view price, real time Inventory, Delivery & Lifecycle Information:

[Molex Connector Corporation](#)
[0709844010](#)

For any questions, you can email us directly:
sales@integrated-circuit.com



PART NUMBER	ENGINEERING NUMBER	BUSBAR OPTION	DIM *A*	PLATING (TERMINATION END ONLY)
70984-4010	SDA-70984-4010	NO	.165	.000100/(0.00254) MINIMUM TIN OVER NICKEL UNDERPLATE
70984-4009	SDA-70984-4009	NO	.130	.000100/(0.00254) MINIMUM TIN OVER NICKEL UNDERPLATE
70984-4008	SDA-70984-4008	YES	----	.000200/(0.00508) MINIMUM TIN OVER .000075/(0.0019) MINIMUM NICKEL UNDERPLATE
70984-4003	SDA-70984-4003	YES	----	.000050/(0.00127) MINIMUM NICKEL
051-25-1020	SDA-70984-4000	NO	----	.000100/(0.00254) MINIMUM TIN OVER NICKEL UNDERPLATE

- NOTES:
- 1) MATERIALS: INSULATOR - GLASS FILLED POLYMER, U.L. 94 V-0
COLOR - BLACK
TERMINAL - PHOSPHOR BRONZE, .012 THICK.
 - 2) PLATING: .00030/(0.000762) MINIMUM GOLD IN CONTACT AREA OVER NICKEL UNDERPLATE. SEE CHART FOR SOLDER TAIL PLATING DESCRIPTIONS.
 - 3) PARTS CONFORM TO PRODUCT SPECIFICATION PS-71626.
 - 4) PACKAGING SPECIFICATION PK-70873-0233 APPLIES.
 - 5) PART COMPLIES WITH CLASS C OF COSMETIC SPECIFICATION PS-45499-002.

ADD 70984-010 EC NO. UCF2008-2713 2008/05/28 DRW:BSMART CHK:DJORGAN APPR:SMILLER 2008/06/27	QUALITY SYMBOLS ▽=0 ∇=0	GENERAL TOLERANCES (UNLESS SPECIFIED)		DIMENSION STYLE IN/MM		SCALE	DESIGN UNITS INCH	THIRD ANGLE PROJECTION
		4 PLACES ± ---	INCH ± ---	DRAWN BY	DATE	TITLE		
		3 PLACES ± 0.01	INCH ± ---	CHECKED BY	DATE	40 CKT INSERT MOLDED CONTACTS SALES DETAIL		
		2 PLACES ± ---	INCH ± ---	APPROVED BY	DATE	MOLEX MOLEX INCORPORATED		
1 PLACE ± ---	INCH ± ---	GF	07/11/1994	MATERIAL NO.	DOCUMENT NO.	SDA-70984-4***		SHEET NO. 1 OF 1
DRAFT WHERE APPLICABLE MUST REMAIN WITHIN DIMENSIONS		SEE TABLE		THIS DRAWING CONTAINS INFORMATION THAT IS PROPRIETARY TO MOLEX INCORPORATED AND SHOULD NOT BE USED WITHOUT WRITTEN PERMISSION				