

## Excellent Integrated System Limited

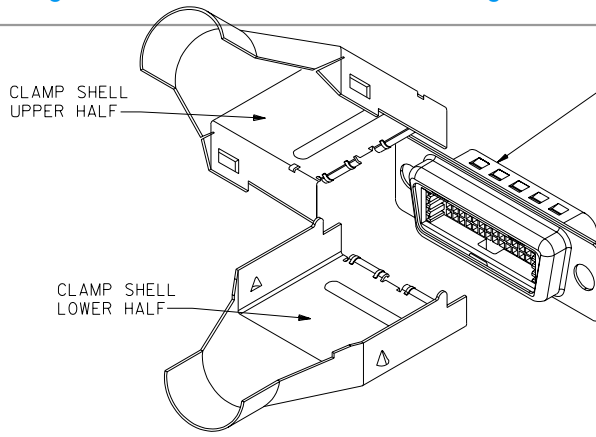
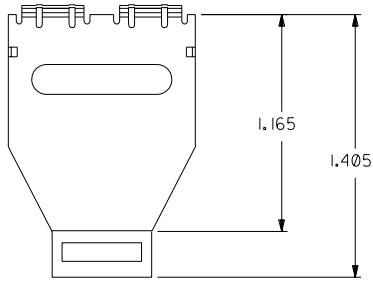
Stocking Distributor

Click to view price, real time Inventory, Delivery & Lifecycle Information:

[Molex Connector Corporation](#)  
[0712453000](#)

For any questions, you can email us directly:

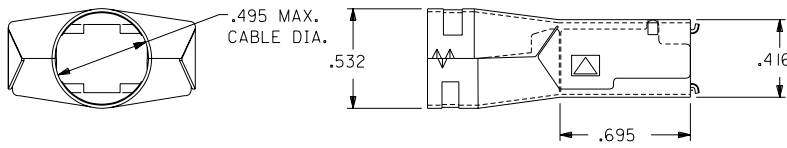
[sales@integrated-circuit.com](mailto:sales@integrated-circuit.com)



CONNECTOR SUB-ASSEMBLY  
70929-2000 (PLUG SHOWN)  
71691-0003 (RECEPTACLE)  
PURCHASE SEPARATELY  
(REFER TO SALES  
DRAWING NUMBERS  
SDA-70929-20\*\* AND  
SDA-71691-0003)

**NOTES:**

1. PLATING: 100 MICRONS MINIMUM BRIGHT NICKEL OVER COPPER FLASH (OPTIONAL).
2. CLAMP SHELLS TO BE PACKAGED PER PK-71245-001.
3. REFER TO APPLICATION SPECIFICATIONS AS-71691-9999 AND PS-70929.



NOTE FOR LEAD FREE CONVERSION:  
THE PRIMARY SHIPPING CARTON WILL BE LABELED "COMPLIANT TO RoHS DIRECTIVE 2002/95/EC AND ELV ANNEX II OF DIRECTIVE 2000/53/EC". CARTONS WITHOUT THIS LABEL MAY CONTAIN PRODUCT WITH LEAD.

VIEWS SHOW CLAMP SHELLS IN ASSEMBLED  
(SEE NOTE #2)

B	LEADFREE ECN# UCP2004-1998 DMORGAN 04/04/21
A2	ADDED PK SPEC. UDT2000-0654 SCHMIDGA 00/01/12
A1	ADDED CONN. NO. PER ECN U6-0322 DRS 09/06/95
A	FIRST RELEASE PER ECN# U4-0550 MOS 5/18/94

MFG.	SH.	REV.	LTR.	REVISIONS
------	-----	------	------	-----------

DIMENSIONS SHOWN (METRIC) INCH UNLESS OTHERWISE SPECIFIED TOLERANCES: ANGULAR ± 1/2°

3 PLACE ± .015	METRIC	---
2 PLACE ±	---	±
1 PLACE ---	±	---

DRWG. BY: MOS	CHK'D. BY: BIXLER	PART NO. 71245-3000	DRWG. NO. SDMS-71245-3000
APP'D. BIXLER	SCALE 2x 1	FILE NAME 712452 DGN	SHEET NO. 1 OF 1
DRAFT WHERE APPLICABLE MUST REMAIN WITHIN DIMENSIONS		DATE 05/18/94	

THIS DRAWING CONTAINS INFORMATION THAT IS PROPRIETARY TO MOLEX INC. AND SHOULD NOT BE USED WITHOUT WRITTEN PERMISSION.