

Excellent Integrated System Limited

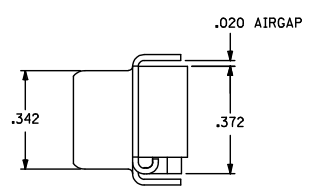
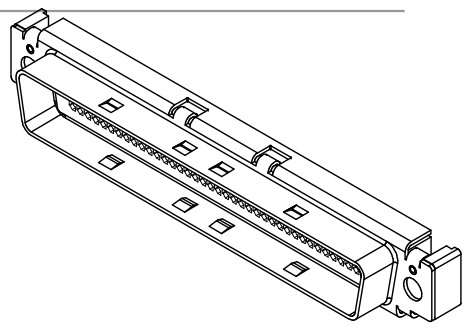
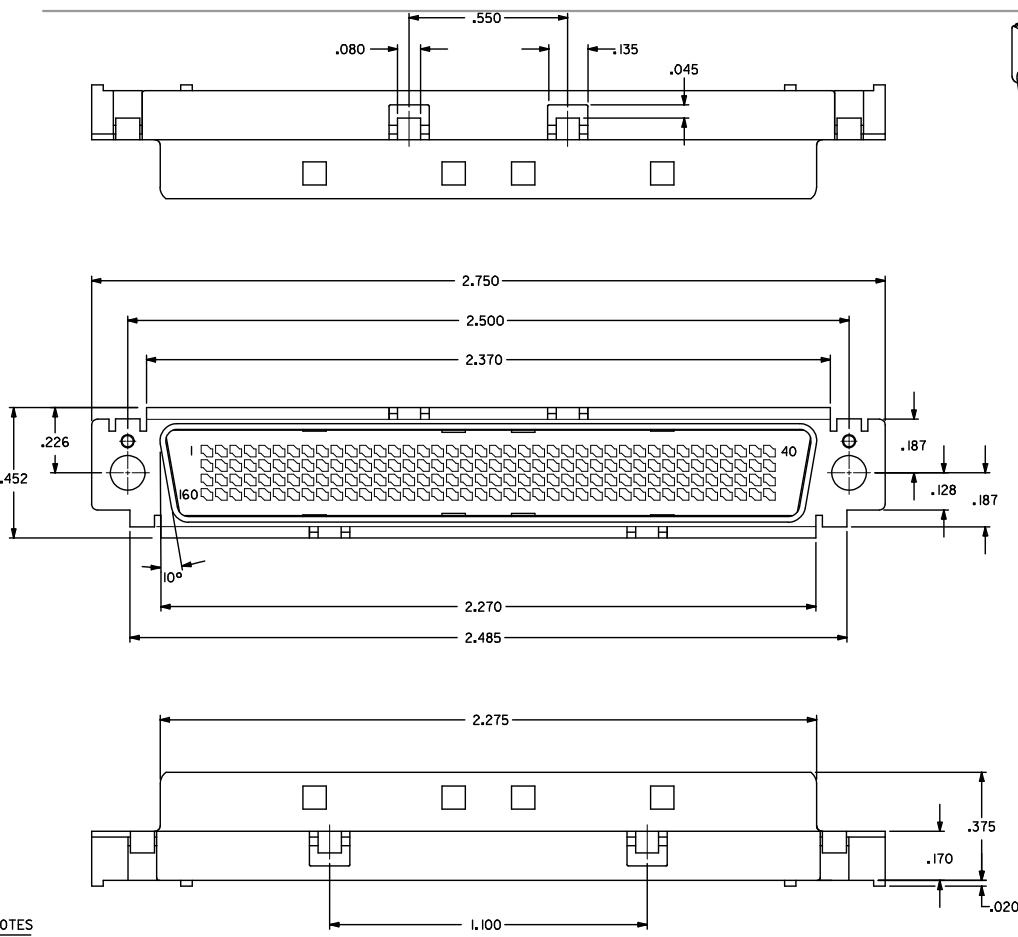
Stocking Distributor

Click to view price, real time Inventory, Delivery & Lifecycle Information:

[Molex Connector Corporation](#)
[0716243001](#)

For any questions, you can email us directly:
sales@integrated-circuit.com

13 12 11 10 9 8 7 6 5 4 3 2 1



NOTES

1. MATERIALS:
INSULATOR: GLASS FILLED LCP, 94V-0, COLOR BLACK.
SHIELD: DEEP DRAW STEEL, .020" THICK.
2. PLATING: 100 MICRO-INCHES MINIMUM BRIGHT NICKEL OVER COPPER UNDERPLATE OVERALL.
3. CONFORMS TO PRODUCT SPECIFICATION PS-71626.
4. CONFORMS TO APPLICATION SPECIFICATION PS-71624.
5. INSERT MOLDED CONTACT STRIPS ARE SUPPLIED SEPARATELY, SEE SALES DRAWING* SDA-70984-4*** FOR ORDER NUMBERS.
6. BULK PACKAGING: 100 SUB-ASSEMBLIES PER CARTON

71624-3001	WITH M-3 THREADED INSERT
71624-3000	WITHOUT M-3 THREADED INSERT
ITEM NUMBER	DESCRIPTION

REVISE NOTE 2 EC NO: UCP2016-0871 DRWNSWANG01 2015/08/26 CHKOBORGAN 2015/08/26 APPRSMILLER 2015/09/10	QUALITY SYMBOLS ∇=0 ∇=0 ∇=0	GENERAL TOLERANCES (UNLESS SPECIFIED) mm INCH		DIMENSION STYLE IN/MM		SCALE 4:1	DESIGN UNITS INCH	THIRD ANGLE PROJECTION
		4 PLACES ± --- ± --- 3 PLACES ± --- ± --- 2 PLACES ± --- ± --- 1 PLACE ± --- ± --- 0 PLACE ± --- ± ---	DRAWN BY SVANG01 DATE 2015/08/26	CHECKED BY DMORGAN DATE 2015/08/26	TITLE 160 CKT LFH I/O PLUG HSG/SHLD SUB. ASSY. FOR CABLE APPLICATION			
ANGULAR ±1/2°		MATERIAL NO. SEE TABLE		DOCUMENT NO. SDA-71624-3000		SHEET NO. 1 OF 1		DRAFT WHERE APPLICABLE MUST REMAIN WITHIN DIMENSIONS

1b_frame_C_P_AM_T Rev. G 2012/01/11 12 11 10 9 8 7 6 5 4 3 2 1