

Excellent Integrated System Limited

Stocking Distributor

Click to view price, real time Inventory, Delivery & Lifecycle Information:

[Molex Connector Corporation](#)
[0734150990](#)

For any questions, you can email us directly:

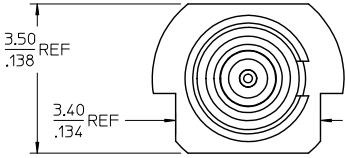
sales@integrated-circuit.com

MATERIALS AND FINISHES

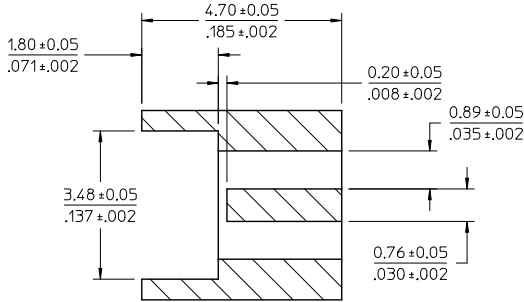
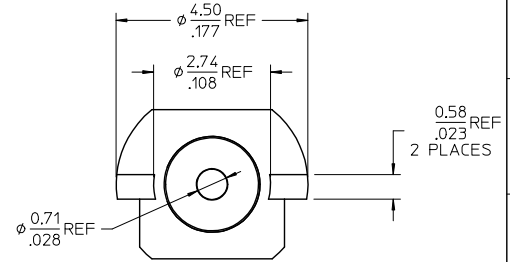
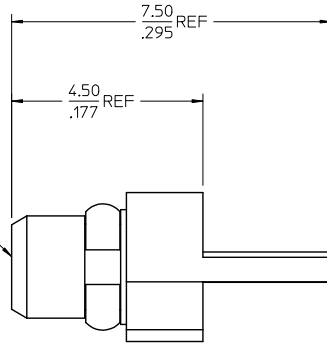
BODY BRASS
PLATED GOLD

CENTER CONTACT BRASS
PLATED GOLD

INSULATOR TEFLON



MMCX PLUG
INTERFACE

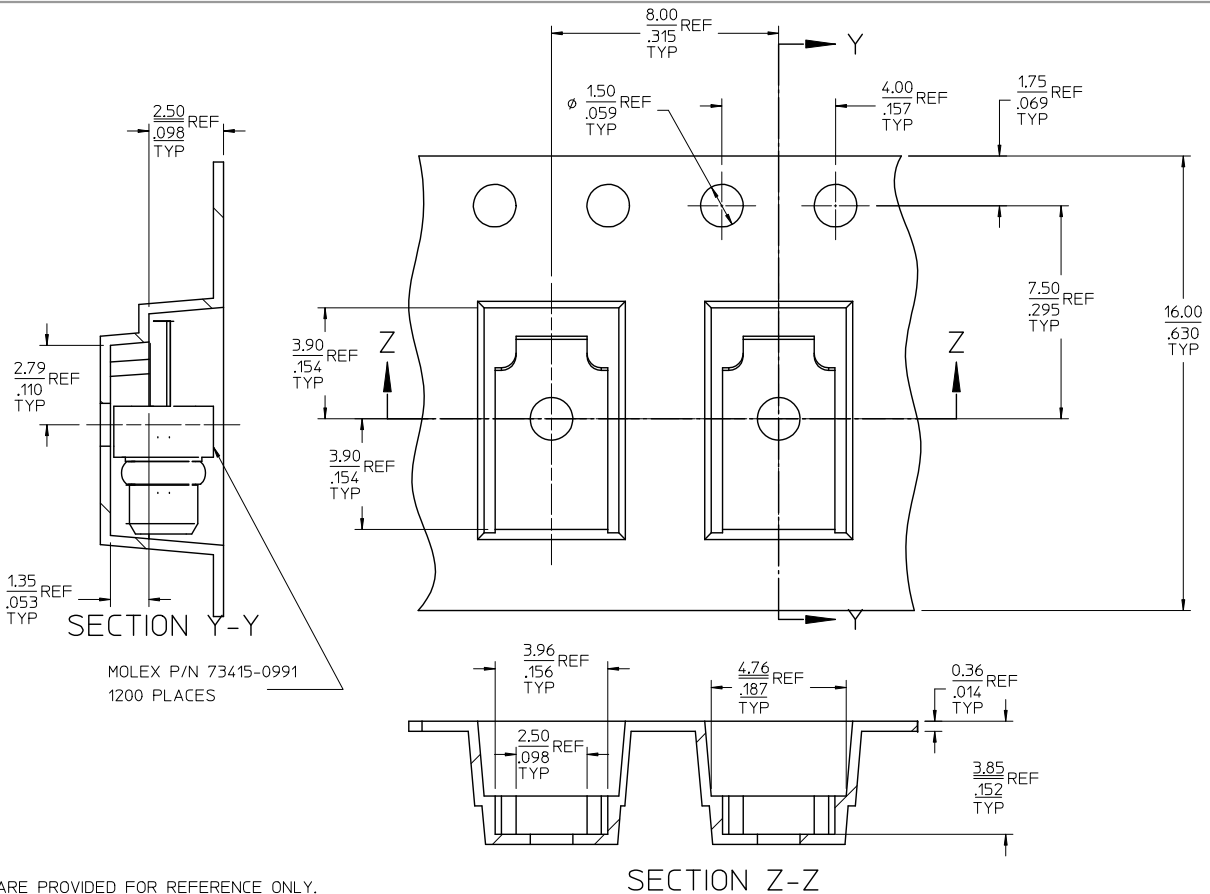


BOARD MATERIAL: FR4, 1.4mm(.055) THICK
PCB LAYOUT WITH GROUND PLANE

CECC 22 340	INTERFACE
PS-89675-1920	ELECTRO/MECH PERFORM.
SPECIFICATION	DESCRIPTION

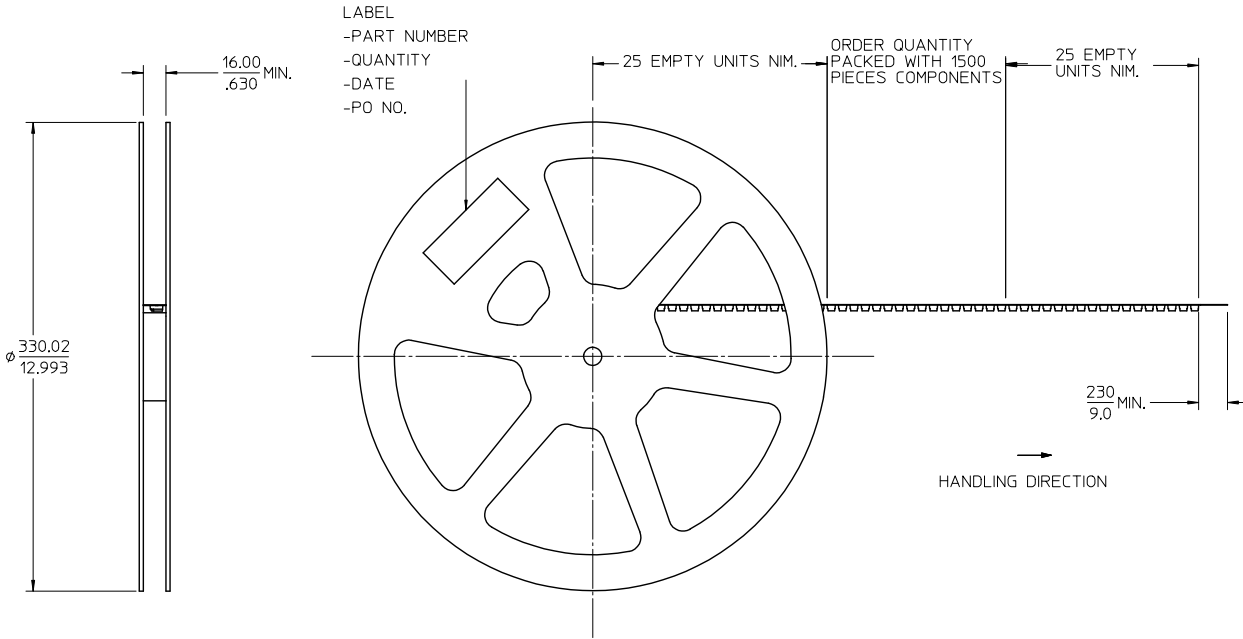
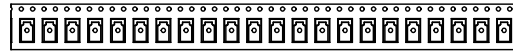
73415-0993	P/N 73415-0991, ONE PER BAG
73415-0992	PER COMMERICAL REQUIREMENTS, TAPE AND REEL
73415-0991	PER COMMERICAL REQUIREMENTS, BAG-500 PCS
73415-0990	PER MILITARY REQUIREMENTS, BAG-500 PCS
PART NO.	PLATING AND PACKAGING

CHG:73415-0990-0991 PACKING UPDATE BAG-500 PCS WAS BULK EWR RFI6-E097 EC NO: URF-2016-0872 DRAWN BY: CHENG 2016/06/24 CHKD: CHENG APPR: CHENG 2016/06/28 DESCRIPTION E4 REV	QUALITY SYMBOLS 	GENERAL TOLERANCES (UNLESS SPECIFIED) <table border="1"> <thead> <tr> <th></th> <th>mm</th> <th>INCH</th> </tr> </thead> <tbody> <tr> <td>4 PLACES</td> <td>± .005</td> <td>± .0002</td> </tr> <tr> <td>3 PLACES</td> <td>± .008</td> <td>± .0003</td> </tr> <tr> <td>2 PLACES</td> <td>± .015</td> <td>± .0005</td> </tr> <tr> <td>1 PLACE</td> <td>± .030</td> <td>± .0010</td> </tr> <tr> <td>0 PLACE</td> <td>± .050</td> <td>± .0020</td> </tr> </tbody> </table>		mm	INCH	4 PLACES	± .005	± .0002	3 PLACES	± .008	± .0003	2 PLACES	± .015	± .0005	1 PLACE	± .030	± .0010	0 PLACE	± .050	± .0020	DIMENSION STYLE MM/IN	SCALE DESIGN UNITS METRIC	THIRD ANGLE PROJECTION
		mm	INCH																				
4 PLACES	± .005	± .0002																					
3 PLACES	± .008	± .0003																					
2 PLACES	± .015	± .0005																					
1 PLACE	± .030	± .0010																					
0 PLACE	± .050	± .0020																					
DRAFT WHERE APPLICABLE MUST REMAIN WITHIN DIMENSIONS		ANGLAR ± 2 ° SEE TABLE	DRAWN BY: EDC DATE: 1999/03/18 CHECKED BY: TEF DATE: 1999/11/24 APPROVED BY: GMH DATE: 1999/11/24	TITLE MMCX PLUG, EDGE MOUNT LAUNCHER, 50 OHMS MMCX-P/PCB 	MATERIAL NO. DOCUMENT NO. SD-73415-099																		

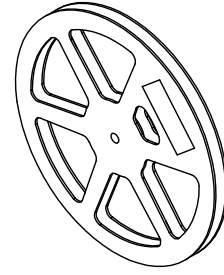
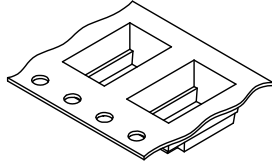
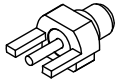


SEE SHEET 1 DEC NO: UNF-2016-0872 DRAWN: CHENG 2016/06/24 CHKD: CHENG APPR: Y. CHENG 2016/06/28 E4 REV	QUALITY SYMBOLS	GENERAL TOLERANCES (UNLESS SPECIFIED)	DIMENSION STYLE	SCALE	DESIGN UNITS	THIRD ANGLE PROJECTION	
	∇=0 ∇=0 ∇=0	mm INCH 4 PLACES ± --- ± --- 3 PLACES ± --- ± --- 2 PLACES ± --- ± --- 1 PLACE ± --- ± --- 0 PLACE ± --- ± ---	MM/IN	METRIC	DRAWN BY DATE EDC 1999/03/18 CHECKED BY DATE TEF 1999/11/24 APPROVED BY DATE GMH 1999/11/24	TITLE MMCX PLUG, EDGE MOUNT LAUNCHER, 50 OHMS MMCX-P/PCB molex MATERIAL NO. DOCUMENT NO. SEE SHEET 1 SD-73415-099	SHEET NO. 2 OF 4
	ANGULAR ± 2°	DRAFT WHERE APPLICABLE MUST REMAIN WITHIN DIMENSIONS	SIZE C	THIS DRAWING CONTAINS INFORMATION THAT IS PROPRIETARY TO MOLEX INCORPORATED AND SHOULD NOT BE USED WITHOUT WRITTEN PERMISSION			

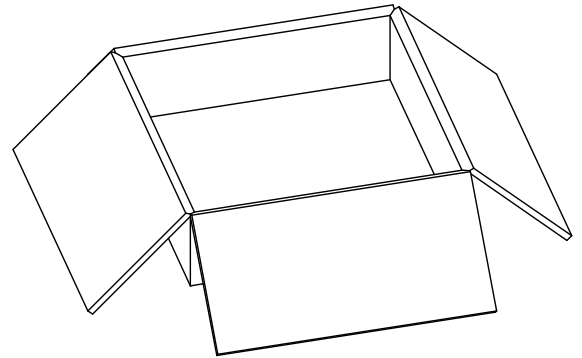
NOTE:
13" REEL SIZE FOR 1500 PIECES



SEE SHEET 1 DEC NO: UNF2016-0872 DRAWN: CHENG 2016/06/24 CHKD: APPR: Y.CHENG 2016/06/28 DESCRIPTION	QUALITY SYMBOLS	GENERAL TOLERANCES (UNLESS SPECIFIED)	DIMENSION STYLE	SCALE	DESIGN UNITS	THIRD ANGLE PROJECTION
	∇=0 ∇=0 ∇=0	mm INCH 4 PLACES ± --- ± --- 3 PLACES ± --- ± --- 2 PLACES ± --- ± --- 1 PLACE ± --- ± --- 0 PLACE ± ±	MM/IN		METRIC	
		ANGULAR ± 2 ° DRAFT WHERE APPLICABLE MUST REMAIN WITHIN DIMENSIONS	DRAWN BY DATE EDC 1999/03/18 CHECKED BY DATE TEF 1999/11/24 APPROVED BY DATE GMH 1999/11/24			TITLE MMCX PLUG, EDGE MOUNT LAUNCHER, 50 OHMS MMCX-P/PCB molex
	REV		MATERIAL NO. SEE SHEET 1 SIZE C		DOCUMENT NO. SD-73415-099	SHEET NO. 3 OF 4



1500 SET PER 13' REEL



6000 SET PER OUTER
CARTON BOX
339 X 339 X 100 REF.

PART NO.
73415-0992

SEE SHEET 1 DEC NO: UNF2016-0872 DRAWN BY: CHEN YI CHENG 2016/06/24 CHKD: CHEN YI CHENG APPR: YI CHENG 2016/06/28	QUALITY SYMBOLS	GENERAL TOLERANCES (UNLESS SPECIFIED)	DIMENSION STYLE	SCALE	DESIGN UNITS	THIRD ANGLE PROJECTION	
	▽=0 ▽=0 ▽=0	mm INCH 4 PLACES ± --- ± --- 3 PLACES ± --- ± --- 2 PLACES ± --- ± --- 1 PLACE ± --- ± --- 0 PLACE ± --- ± ---	MM/IN	METRIC	DRAWN BY: EDC DATE: 1999/03/18 CHECKED BY: TEF DATE: 1999/11/24 APPROVED BY: GMH DATE: 1999/11/24	TITLE: MMCX PLUG, EDGE MOUNT LAUNCHER, 50 OHMS MMCX-P/PCB molex	MATERIAL NO. SEE SHEET 1
	ANGULAR ± 2 ° DRAFT WHERE APPLICABLE MUST REMAIN WITHIN DIMENSIONS	SIZE C THIS DRAWING CONTAINS INFORMATION THAT IS PROPRIETARY TO MOLEX INCORPORATED AND SHOULD NOT BE USED WITHOUT WRITTEN PERMISSION	DOCUMENT NO. SD-73415-099	SHEET NO. 4 OF 4			
	REV E4	SEE SHEET 1	SEE SHEET 1	SEE SHEET 1			