

Excellent Integrated System Limited

Stocking Distributor

Click to view price, real time Inventory, Delivery & Lifecycle Information:

[Molex Connector Corporation](#)
[0734151000](#)

For any questions, you can email us directly:

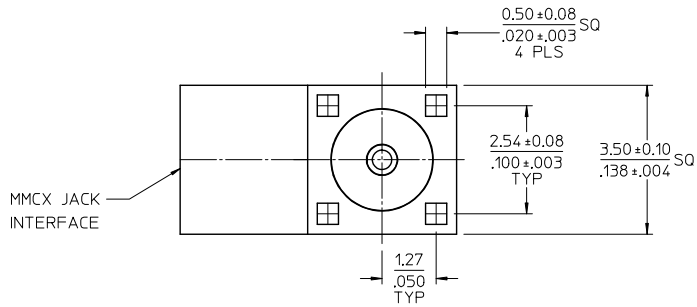
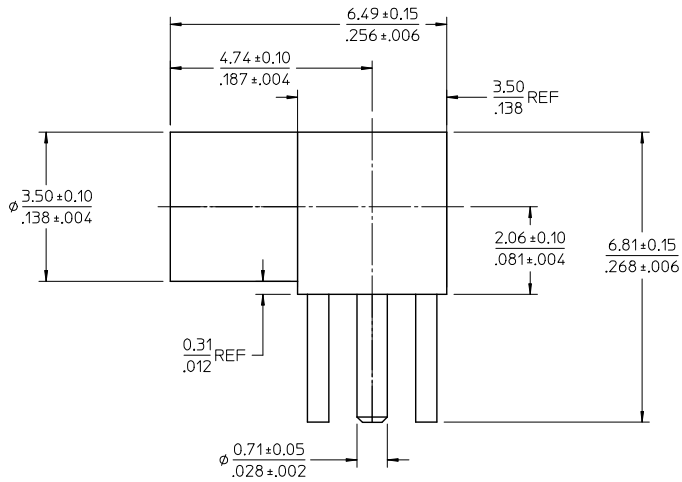
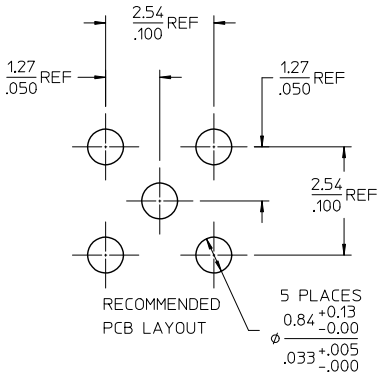
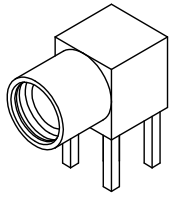
sales@integrated-circuit.com

MATERIALS AND FINISHES

BODY: BRASS
PLATED SEE TABLE

CENTER: CONTACT BERYLLIUM COPPER
PLATED GOLD

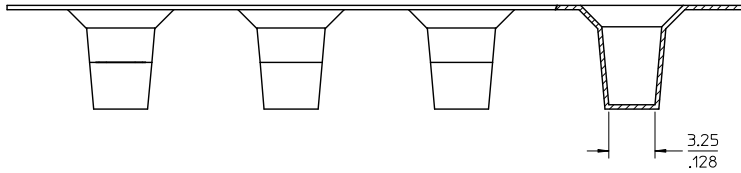
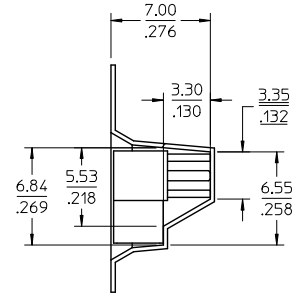
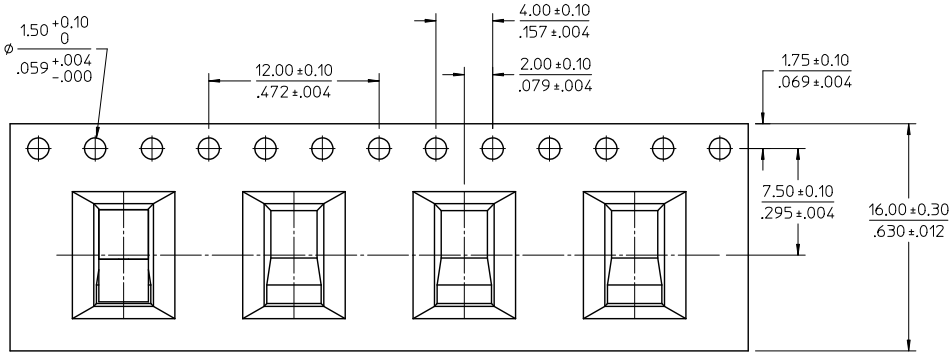
INSULATOR: TEFLON



73415-1004	GOLD (COMMERCIAL)	TAPE & REEL
73415-1003	TRI-M	TRAY
73415-1002	GOLD (COMMERCIAL)	ONE PER BAG
73415-1001	GOLD (COMMERCIAL)	TRAY
73415-1000	GOLD (MILITARY)	TRAY
PART NO.	BODY PLATING	PACKAGING

PS-89675-1920	ELECTRICAL/MECHANICAL
SPECIFICATION	DESCRIPTION

CHG: 1000/-1001/-1003 PKG TRAY WAS BULK PER REF-15-E198 EC NO: URF2015-0621 DRAWING NO: 2015/05/15 CHKD: CHENG APPR: CHENG D5 REV	QUALITY SYMBOLS	GENERAL TOLERANCES (UNLESS SPECIFIED)	DIMENSION STYLE	SCALE	DESIGN UNITS	THIRD ANGLE PROJECTION
	$\nabla = 0$ $\nabla = 0$ $\nabla = 0$	mm INCH 4 PLACES ± --- ± --- 3 PLACES ± --- ± --- 2 PLACES ± --- ± --- 1 PLACE ± --- ± --- 0 PLACE ± --- ± ---	MM/IN	DRAWN BY DATE JM 2005/07/22 CHECKED BY DATE JM 2005/07/22 APPROVED BY DATE JDW 2005/07/22	METRIC	METRIC
ANGULAR ± 2° DRAFT WHERE APPLICABLE MUST REMAIN WITHIN DIMENSIONS		SEE TABLE	THIS DRAWING CONTAINS INFORMATION THAT IS PROPRIETARY TO MOLEX INCORPORATED AND SHOULD NOT BE USED WITHOUT WRITTEN PERMISSION			

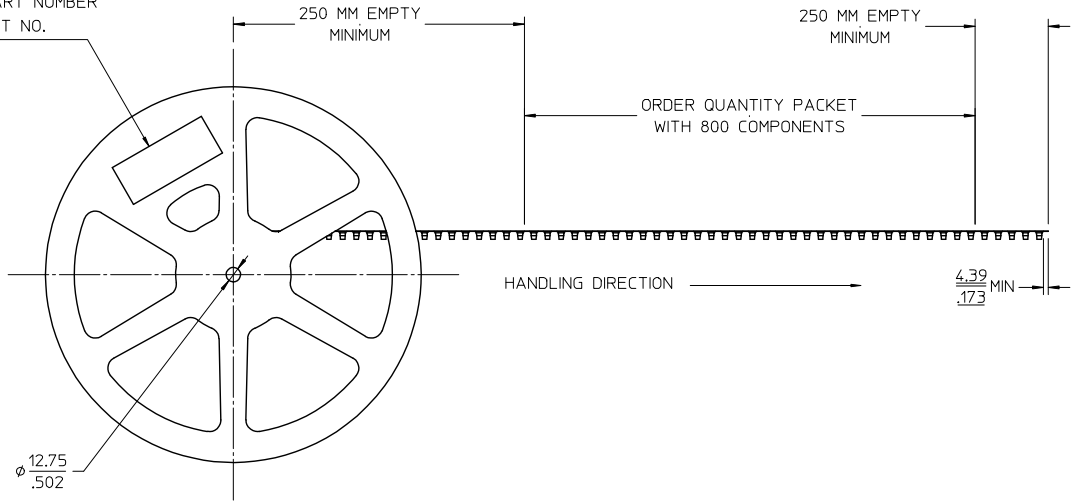
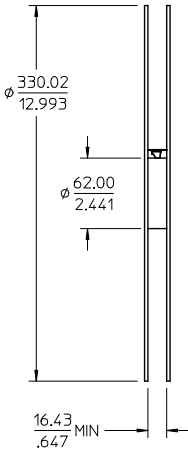


PACKING DESCRIPTION :

1. MATERIAL : PS BLACK-THICKNESS : 0.40±0.05 MM

SEE SHEET 1 EC NO: UHF2015-0621 DRAWING NO: 2015/05/07 CHKD: CHENG APPR: Y. CHENG 2015/05/15 DESCRIPTION REV	QUALITY SYMBOLS	GENERAL TOLERANCES (UNLESS SPECIFIED)	DIMENSION STYLE	SCALE	DESIGN UNITS	THIRD ANGLE PROJECTION																	
	$\nabla=0$ $\nabla=0$ $\nabla=0$	<table border="1"> <thead> <tr> <th></th> <th>mm</th> <th>INCH</th> </tr> </thead> <tbody> <tr> <td>4 PLACES</td> <td>±---</td> <td>±---</td> </tr> <tr> <td>3 PLACES</td> <td>±---</td> <td>±---</td> </tr> <tr> <td>2 PLACES</td> <td>±---</td> <td>±---</td> </tr> <tr> <td>1 PLACE</td> <td>±---</td> <td>±---</td> </tr> <tr> <td>0 PLACE</td> <td>±</td> <td>±</td> </tr> </tbody> </table>		mm	INCH	4 PLACES	±---	±---	3 PLACES	±---	±---	2 PLACES	±---	±---	1 PLACE	±---	±---	0 PLACE	±	±	MM/IN	METRIC	@ THIRD ANGLE PROJECTION
		mm	INCH																				
	4 PLACES	±---	±---																				
3 PLACES	±---	±---																					
2 PLACES	±---	±---																					
1 PLACE	±---	±---																					
0 PLACE	±	±																					
ANGULAR ± 2 ° DRAFT WHERE APPLICABLE MUST REMAIN WITHIN DIMENSIONS	DRAWN BY: JM CHECKED BY: JM APPROVED BY: JDW DATE: 2005/07/22 DATE: 2005/07/22 DATE: 2005/07/22	MATERIAL NO. SEE SHEET 1	TITLE MMCX JACK, R/A, PCB 50 OHMS MMCX-J/PCB EWR-2734 molex	SHEET NO. 2 OF 3																			
D5			SIZE C	THIS DRAWING CONTAINS INFORMATION THAT IS PROPRIETARY TO MOLEX INCORPORATED AND SHOULD NOT BE USED WITHOUT WRITTEN PERMISSION																			

LABEL:
 -ORDER NO.
 -QUANTITY
 -PART NUMBER
 -LOT NO.



PACKING DESCRIPTION :

1. COMPONENT LOAD PER 13" REEL : 800 PCS
2. DIMENSION ARE PROVIDED FOR REFERENCE ONLY

SEE SHEET 1 EC NO: UPT-2015-0621 DRAWING NO: 2015/05/07 CHKD: CHIKO APPR: YIENG 2015/05/15 DESCRIPTION:	QUALITY SYMBOLS	GENERAL TOLERANCES (UNLESS SPECIFIED)	DIMENSION STYLE	SCALE	DESIGN UNITS	THIRD ANGLE PROJECTION
	∇=0 ∇=0 ∇=0	mm INCH 4 PLACES ± --- ± --- 3 PLACES ± --- ± --- 2 PLACES ± --- ± --- 1 PLACE ± --- ± --- 0 PLACE ± --- ± ---	MM/IN	MM/IN	METRIC	TITLE MMCX JACK, R/A, PCB 50 OHMS MMCX-J/PCB EWR-2734 molex
	ANGULAR ± 2 ° DRAFT WHERE APPLICABLE MUST REMAIN WITHIN DIMENSIONS	DRAWN BY: JM DATE: 2005/07/22 CHECKED BY: JM DATE: 2005/07/22 APPROVED BY: JDW DATE: 2005/07/22	MATERIAL NO.	DOCUMENT NO.	SHEET NO.	
	SEE SHEET 1 SIZE C	THIS DRAWING CONTAINS INFORMATION THAT IS PROPRIETARY TO MOLEX INCORPORATED AND SHOULD NOT BE USED WITHOUT WRITTEN PERMISSION	SD-73415-100	3 OF 3		