

Excellent Integrated System Limited

Stocking Distributor

Click to view price, real time Inventory, Delivery & Lifecycle Information:

[Molex Connector Corporation](#)
[0734151100](#)

For any questions, you can email us directly:

sales@integrated-circuit.com

MATERIALS AND FINISHES

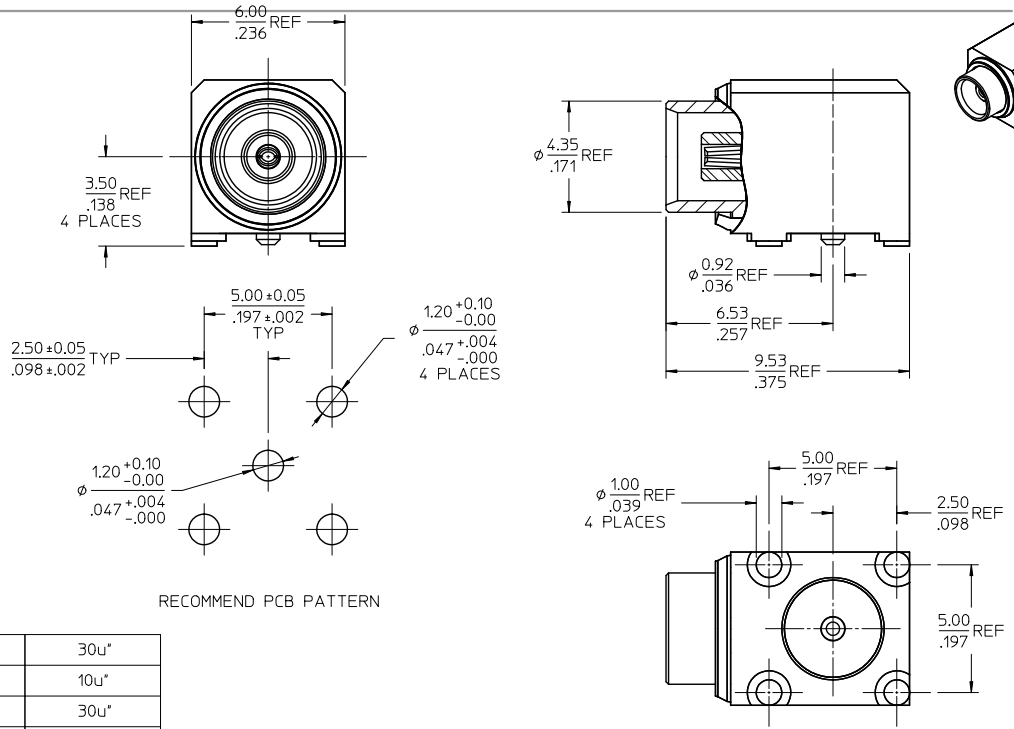
BODY: BRASS
PLATED: SEE TABLE

CENTER CONTACT: BERYLLIUM COPPER
PLATED: GOLD (SEE TABLE FOR THICKNESS)

HOUSING: ZINC ALLOY
PLATED: TIN/ZINC/COPPER ALLOY (TRI-M)

INSULATOR: TEFLON (UL 94V-0)

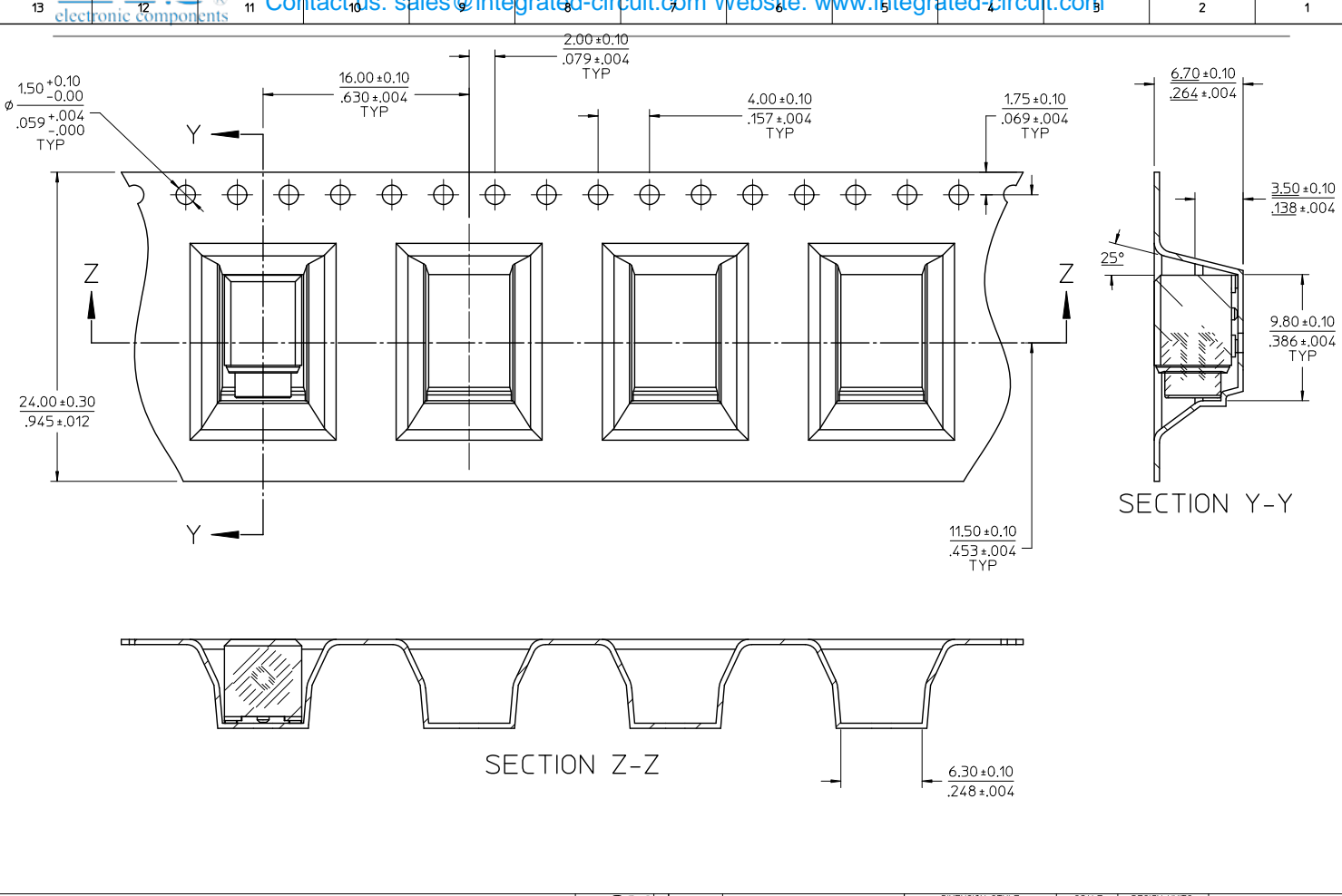
PACKAGING: SEE TABLE



| | | | |
|------------|---------|---------------|---------|
| 73415-1104 | GOLD | ONE PER BAG | 30u* |
| 73415-1103 | NICKEL | TAPE AND REEL | 10u* |
| 73415-1102 | GOLD | TAPE AND REEL | 30u* |
| 73415-1101 | NICKEL | TAPE AND REEL | 30u* |
| 73415-1100 | NICKEL | TRAY | 30u* |
| PART NO. | PLATING | PACKAGING | CONTACT |
| | BODY | | PLATING |

| | |
|---------------|-----------------------|
| PS-89675-1830 | PRODUCT SPECIFICATION |
| SPECIFICATION | DESCRIPTION |

| | | | | | | | |
|--|-------------------------------|--|--|---|---|---|-------------------|
| CHG: ADD UL REFERENCE FOR TEFLON EC NO: URF2012-0588 DRAWN BY: JMTENER 2012/04/10 CHKD BY: JMTENER 2012/04/10 APPR: JMTENER 2012/04/10 C7 | QUALITY SYMBOLS ▽=0 ▽=0 | GENERAL TOLERANCES (UNLESS SPECIFIED) mm INCH 4 PLACES ± --- ± --- 3 PLACES ± --- ± --- 2 PLACES ± --- ± --- 1 PLACE ± --- ± --- ANGULAR ± 2 ° | DIMENSION STYLE MM/IN DRAWN BY: LINN DATE: 2000/03/01 CHECKED BY: JOHNSON DATE: 2000/03/01 APPROVED BY: MISEN DATE: 2000/03/01 | SCALE: METRIC DESIGN UNITS: METRIC THIRD ANGLE PROJECTION | TITLE: MCX JACK, R/A, SMT, PCB 50 OHMS MCX-J/RA/PCB EWR-2659 MOLEX INCORPORATED | MATERIAL NO.: SEE TABLE DOCUMENT NO.: SD-73415-110 | SHEET NO.: 1 OF 2 |
| | | DRAFT WHERE APPLICABLE MUST REMAIN WITHIN DIMENSIONS | | THIS DRAWING CONTAINS INFORMATION THAT IS PROPRIETARY TO MOLEX INCORPORATED AND SHOULD NOT BE USED WITHOUT WRITTEN PERMISSION | | | |



| | | | | | | | | | |
|--|-------------------------------|---------------------------------------|------------|--|------------|---|---|------------------------|------------------|
| CHG: SEE SHEET 1 EC NO: UNF2012-0588 DRAWN: JWIENER 2/17/04/10 CHECKED: SS 2/17/04/10 APPR: JWIENER 2/17/04/10 C7 | QUALITY SYMBOLS ▽=0 ▽=0 | GENERAL TOLERANCES (UNLESS SPECIFIED) | | DIMENSION STYLE MM/IN | | SCALE | DESIGN UNITS | THIRD ANGLE PROJECTION | |
| | | mm | INCH | DRAWN BY | DATE | METRIC | MCX JACK, R/A, SMT, PCB 50 OHMS MCX-J/RA/PCB EWR-2659 | MOLEX INCORPORATED | |
| | | 4 PLACES ± --- | ± --- | L INN | 2000/03/01 | | | | |
| | | 3 PLACES ± --- | ± --- | CHECKED BY | DATE | MATERIAL NO. SEE SHEET 1 | | DOCUMENT NO. | SHEET NO. 2 OF 2 |
| 2 PLACES ± --- | ± --- | JOHNSON | 2000/03/01 | DRAFT WHERE APPLICABLE MUST REMAIN WITHIN DIMENSIONS | | THIS DRAWING CONTAINS INFORMATION THAT IS PROPRIETARY TO MOLEX INCORPORATED AND SHOULD NOT BE USED WITHOUT WRITTEN PERMISSION | | | |
| 1 PLACE ± --- | ± --- | APPROVED BY | DATE | | | | | | |
| ANGULAR ± 2 ° | | M1 SEN | 2000/03/01 | | | | | | |