

Excellent Integrated System Limited

Stocking Distributor

Click to view price, real time Inventory, Delivery & Lifecycle Information:

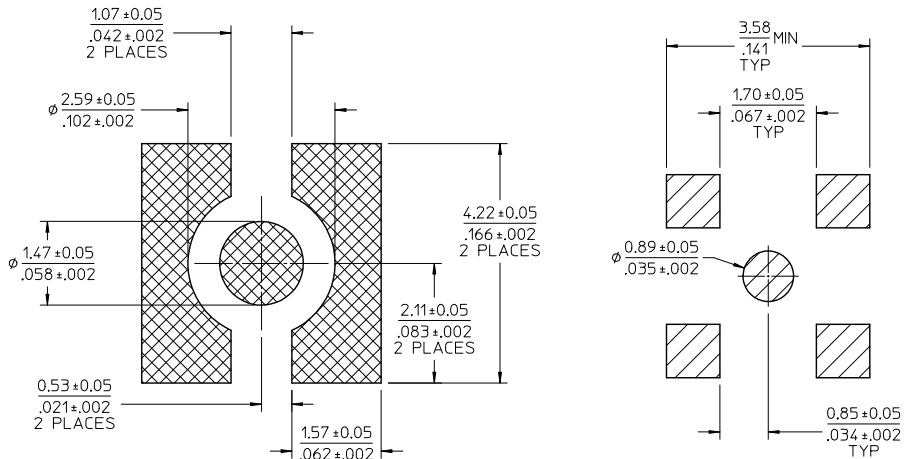
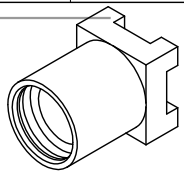
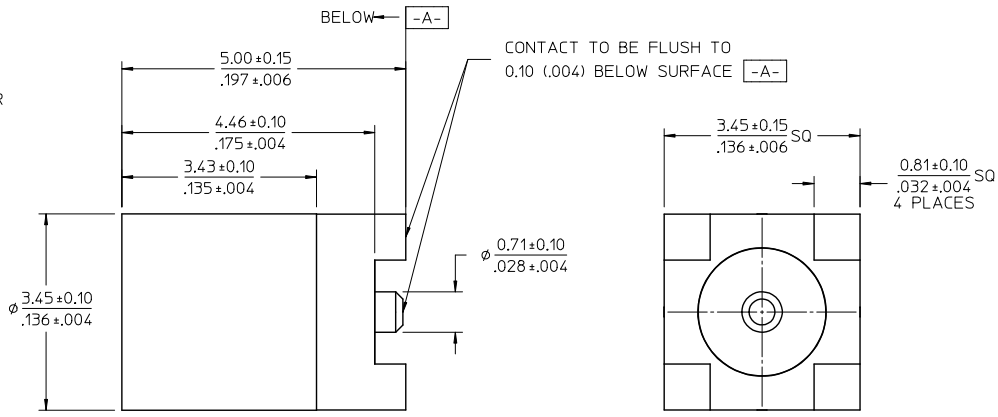
[Molex Connector Corporation](#)
[0734152064](#)

For any questions, you can email us directly:

sales@integrated-circuit.com

MATERIALS AND FINISHES

- BODY BRASS
PLATED GOLD
- CENTER CONTACT BERYLLIUM COPPER
PLATED GOLD
- INSULATOR TEFLON



PS-89675-1920	ELECTRO/MECH PERFORM.
SPECIFICATION	DESCRIPTION

73415-2064	73415-2061, ONE PER BAG
73415-2063	73415-2061 WITH TAPE & REEL
73415-2062	73415-2060 WITH TAPE & REEL
73415-2061	PER COMMERCIAL REQUIREMENTS, PACKING TRAY
73415-2060	PER MILITARY REQUIREMENTS, PACKING TRAY
PART NO.	PLATING

OPTION 1 PCB LAYOUT

CHG:73415-2060-2061
PACKING UPDATE TO
TRAY
EWR RF15-E384

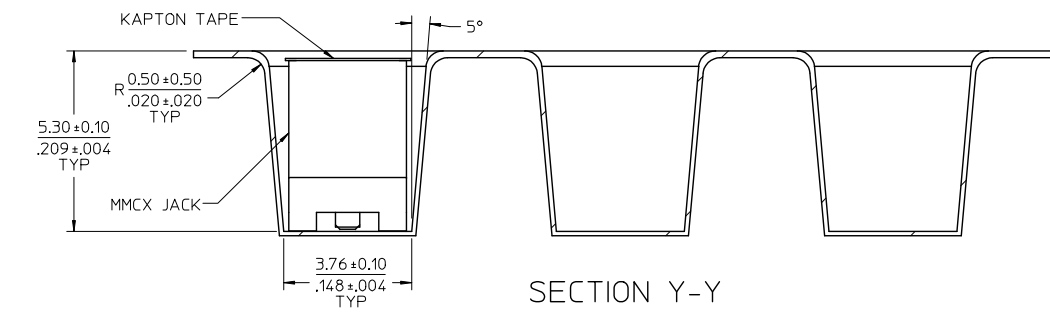
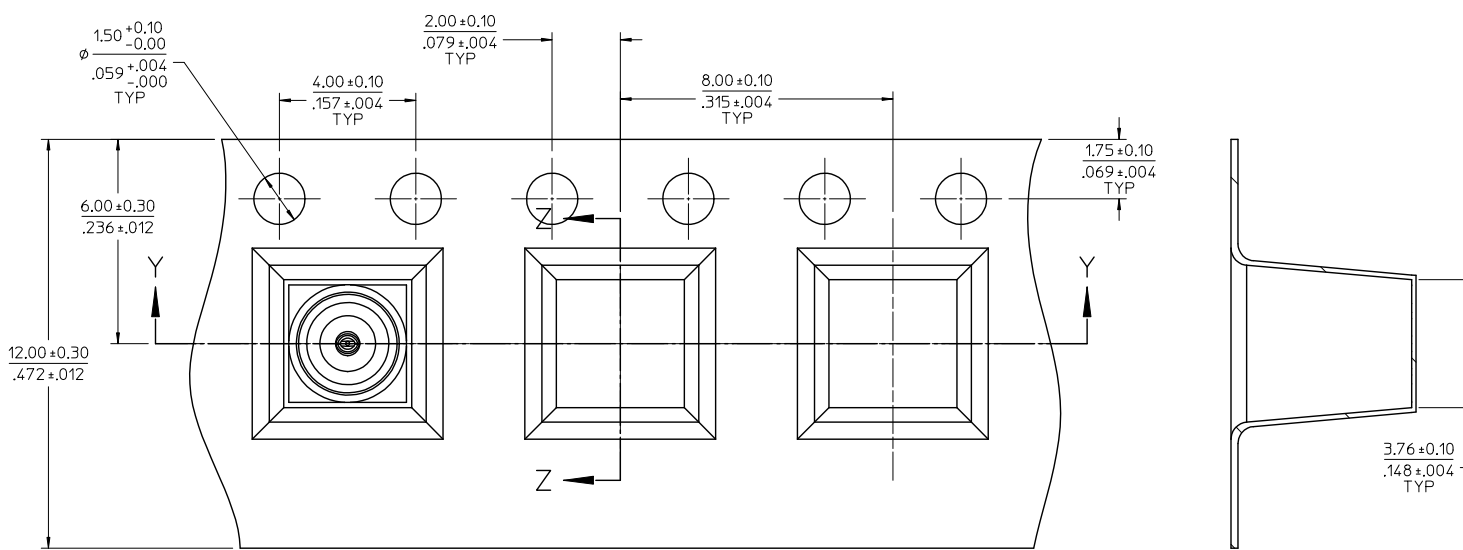
EC NO: URF2016-0367 2015/11/05
DRAWN: CHENG
CHKD: CHENG
APPR: CHENG

2015/11/09

DESCRIPTION

GENERAL TOLERANCES (UNLESS SPECIFIED)		DIMENSION STYLE		SCALE	DESIGN UNITS	THIRD ANGLE PROJECTION
		MM	INCH	MM/IN	METRIC	
4 PLACES	± .005	± .005	± .005	TEF	2000/04/18	MMCX JACK, VERTICAL PCB/SMT 50 OHMS MMCX-J/PCB
3 PLACES	± .005	± .005	± .005	CHECKED BY	DATE	
2 PLACES	± .005	± .005	± .005	SSS	2000/04/18	
1 PLACE	± .005	± .005	± .005	APPROVED BY	DATE	
0 PLACE	± .005	± .005	± .005	GMH	2000/04/18	
ANGULAR ± 2°		MATERIAL NO.		DOCUMENT NO.		SHEET NO.
DRAFT WHERE APPLICABLE MUST REMAIN WITHIN DIMENSIONS		SEE TABLE		SD-73415-206		1 OF 4
THIS DRAWING CONTAINS INFORMATION THAT IS PROPRIETARY TO MOLEX INCORPORATED AND SHOULD NOT BE USED WITHOUT WRITTEN PERMISSION						

13 12 11 10 9 8 7 6 5 4 3 2 1



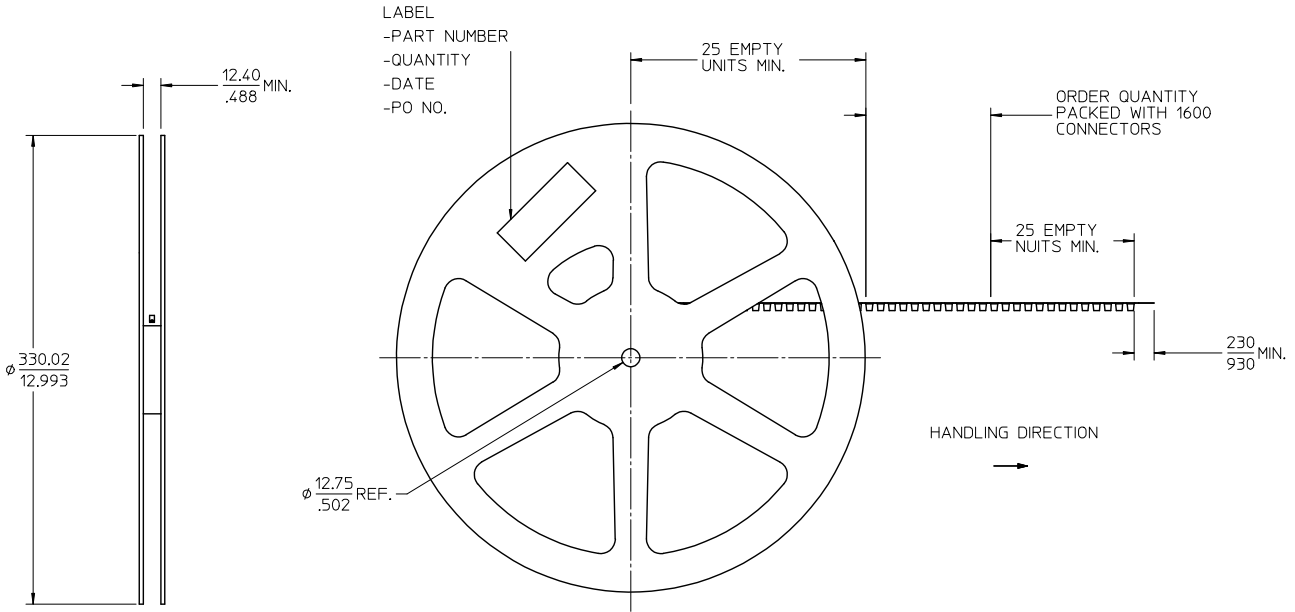
SECTION Y-Y

SECTION Z-Z

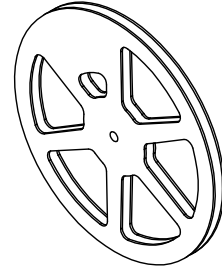
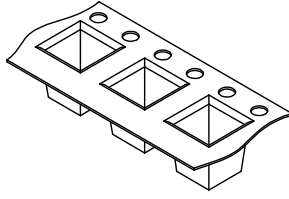
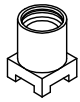
SEE SHEET 1 EC NO: URF-2016-0367 DRAWN: CHENG 2015/11/05 CHKD: CHENG 2015/11/09 APPR: CHENG	QUALITY SYMBOLS ▽=0 ▽=0 ▽=0	GENERAL TOLERANCES (UNLESS SPECIFIED)		DIMENSION STYLE		SCALE	DESIGN UNITS	THIRD ANGLE PROJECTION	
		mm	INCH	MM/IN			METRIC		
	4 PLACES ±	---	---	DRAWN BY	DATE	TITLE MMCX JACK, VERTICAL PCB/SMT 50 OHMS MMCX-J/PCB molex			
	3 PLACES ±	---	---	CHECKED BY	DATE				
	2 PLACES ±	---	---	APPROVED BY	DATE				
	1 PLACE ±	---	---	GMH	2000/04/18				
	0 PLACE ±	---	---	MATERIAL NO.		DOCUMENT NO.		SHEET NO.	
DRAFT WHERE APPLICABLE MUST REMAIN WITHIN DIMENSIONS		ANGULAR ± 2 °		SEE SHEET 1		SD-73415-206		2 OF 4	
THIS DRAWING CONTAINS INFORMATION THAT IS PROPRIETARY TO MOLEX INCORPORATED AND SHOULD NOT BE USED WITHOUT WRITTEN PERMISSION									

1b_frame_C.P_AM_T Rev. G 2012/01/11 12 11 10 9 8 7 6 5 4 3 2 1

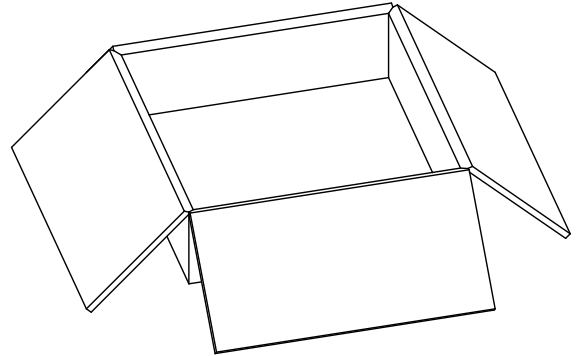
NOTE:
13" REEL SIZE FOR 1600 PIECES



SEE SHEET 1 IEC NO: UNF2016-0367 DRAWN BY: CHEN YUENHENG CHKD: APPR: YUENHENG 2015/11/09 DESCRIPTION:	QUALITY SYMBOLS	GENERAL TOLERANCES (UNLESS SPECIFIED)	DIMENSION STYLE	SCALE	DESIGN UNITS	THIRD ANGLE PROJECTION
	∇=0 ∇=0 ∇=0	mm INCH 4 PLACES ± --- ± --- 3 PLACES ± --- ± --- 2 PLACES ± --- ± --- 1 PLACE ± --- ± --- 0 PLACE ± ±	MM/IN		METRIC	
		ANGULAR ± 2 ° DRAFT WHERE APPLICABLE MUST REMAIN WITHIN DIMENSIONS	DRAWN BY: TEF DATE: 2000/04/18 CHECKED BY: SSS DATE: 2000/04/18 APPROVED BY: GMH DATE: 2000/04/18			TITLE: MMCX JACK, VERTICAL PCB/SMT 50 OHMS MMCX-J/PCB molex
			MATERIAL NO. SEE SHEET 1		DOCUMENT NO. SD-73415-206	SHEET NO. 3 OF 4



1600 SET PER 13" REEL



8000 CONNECTORS PER
OUTER CARTON BOX
339 X 339 X 100 REF.

PART NO.
73415-2062/73415-2063

SEE SHEET 1 IEC NO: UNF-2016-0367 DRAWN: YUEN CHKD: YUEN APPR: YUEN 2015/11/09 2015/11/09	QUALITY SYMBOLS = 0 = 0 = 0	GENERAL TOLERANCES (UNLESS SPECIFIED)		DIMENSION STYLE		SCALE	DESIGN UNITS	THIRD ANGLE PROJECTION		
		mm	INCH	MM/IN			METRIC			
		4 PLACES	± ---	± ---	DRAWN BY	DATE	TITLE			
		3 PLACES	± ---	± ---	TEF	2000/04/18	MMCX JACK, VERTICAL PCB/SMT 50 OHMS MMCX-J/PCB			
2 PLACES	± ---	± ---	CHECKED BY	DATE						
1 PLACE	± ---	± ---	SSS	2000/04/18						
0 PLACE	± ---	± ---	APPROVED BY	DATE	MATERIAL NO.		DOCUMENT NO.		SHEET NO.	
			GMH	2000/04/18	SEE SHEET 1		SD-73415-206		4 OF 4	
ANGULAR ± 2 °			DRAFT WHERE APPLICABLE MUST REMAIN WITHIN DIMENSIONS			THIS DRAWING CONTAINS INFORMATION THAT IS PROPRIETARY TO MOLEX INCORPORATED AND SHOULD NOT BE USED WITHOUT WRITTEN PERMISSION				