

Excellent Integrated System Limited

Stocking Distributor

Click to view price, real time Inventory, Delivery & Lifecycle Information:

[Molex Connector Corporation](#)
[0734152261](#)

For any questions, you can email us directly:

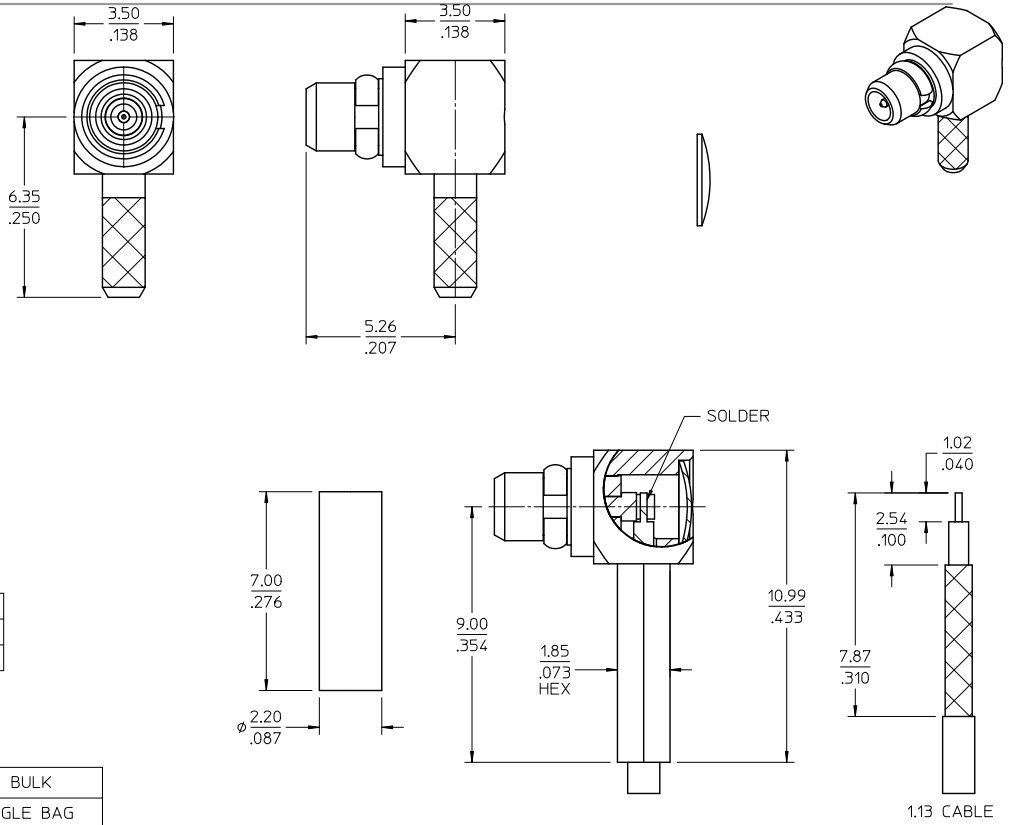
sales@integrated-circuit.com

MATERIALS AND FINISHES

BODY, CONTACT, CAP, CRIMP TUBE: BRASS
PLATED GOLD

INSULATOR: TEFLON

SNAP RING: BERYLLIUM COPPER
PLATED GOLD



PS-89675-1920	PRODUCT SPECIFICATION
CECC-22-340	INTERFACE
SPECIFICATION	DESCRIPTION

73415-2263	COMMERCIAL REQS	HIGH PERFOR.	BULK
73415-2262	COMMERCIAL REQS	STANDARD	SINGLE BAG
73415-2261	COMMERCIAL REQS	STANDARD	BULK
73415-2260	MILITARY REQS	STANDARD	BULK
PART NO.	FINISH	PERFORMANCE	PACKAGING

CHG: ADDED DIMS EC NO: URF2012-0333 DRAWN: BOMALLEY 2011/04/13 CHKD: SSS 2011/04/13 APPR: JWIENER 2011/04/14	QUALITY SYMBOLS ▽=0 ▽=0	GENERAL TOLERANCES (UNLESS SPECIFIED)		DIMENSION STYLE MM/IN	SCALE	DESIGN UNITS METRIC	THIRD ANGLE PROJECTION
		mm	INCH	DRAWN BY AROBERTSON	DATE 2011/04/04	TITLE MMCX PLUG RA 50 OHM FOR 1.13/1.32 CAB MMCX-PC/RA	
B3	REV	4 PLACES	±	---	CHECKED BY SSS	DATE 2011/04/04	MOLEX INCORPORATED
		3 PLACES	±	---	APPROVED BY JWIENER	DATE 2011/04/15	
DRAFT WHERE APPLICABLE MUST REMAIN WITHIN DIMENSIONS		ANGULAR ± 2 °		MATERIAL NO. SEE TABLE	DOCUMENT NO. SD-73415-226	SHEET NO. 1 OF 1	