

Excellent Integrated System Limited

Stocking Distributor

Click to view price, real time Inventory, Delivery & Lifecycle Information:

[Molex Connector Corporation](#)
[0734155940](#)

For any questions, you can email us directly:

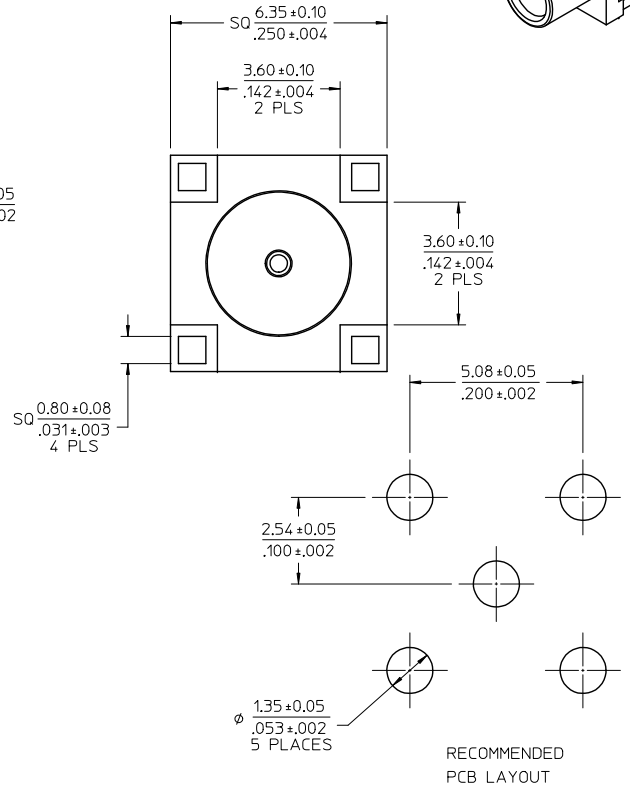
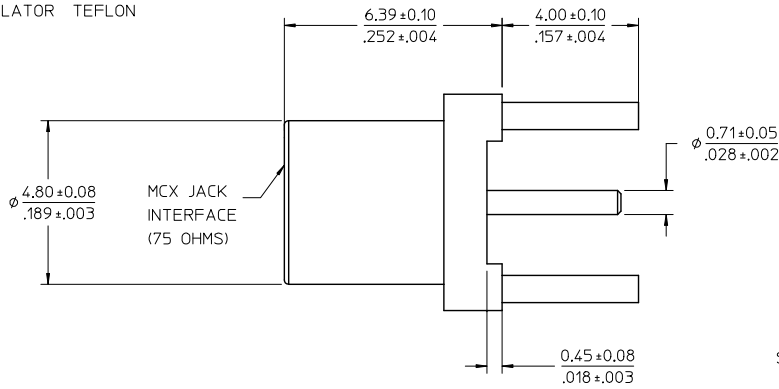
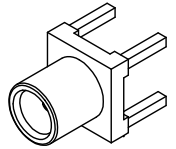
sales@integrated-circuit.com

MATERIALS AND FINISHES

BODY BRASS
PLATED NICKEL

CENTER CONTACT BERYLLIUM COPPER
PLATED GOLD

INSULATOR TEFLON



PART # 73415-5940

ADDED TOLERANCE PER RF-15-E069	EC NO: URF-2015-0233	DRW: MLN	2014/11/14	QUALITY SYMBOLS $\nabla=0$ $\sphericalangle=0$	GENERAL TOLERANCES (UNLESS SPECIFIED)		DIMENSION STYLE		SCALE	DESIGN UNITS	THIRD ANGLE PROJECTION	
	CHKD: APPR: Y. CHENG	DESCRIPTION	2014/11/17		mm	INCH	MM/IN	METRIC				
	4 PLACES	±	---		---	DRAWN BY	DATE	TITLE				
	3 PLACES	±	---		---	JM	2006/06/26	MCX JACK, PCB VERTICAL, 75 OHMS EWR-3135, MCX-J/PCB				
2 PLACES	±	---	---	2 PLACES	±	---	---	CHECKED BY	DATE	MOLEX INCORPORATED		
1 PLACE	±	---	---	1 PLACE	±	---	---	JM	2006/06/26	MOLEX INCORPORATED		
ANGULAR ± 2 °				DRAFT WHERE APPLICABLE MUST REMAIN WITHIN DIMENSIONS				MATERIAL NO.	DOCUMENT NO.	SHEET NO.		
A1				REV				734155940	SD-73415-594	1 OF 1		
THIS DRAWING CONTAINS INFORMATION THAT IS PROPRIETARY TO MOLEX INCORPORATED AND SHOULD NOT BE USED WITHOUT WRITTEN PERMISSION												