

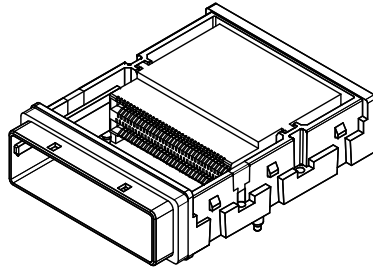
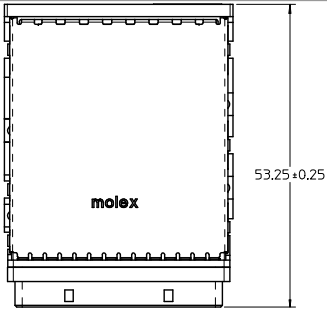
Excellent Integrated System Limited

Stocking Distributor

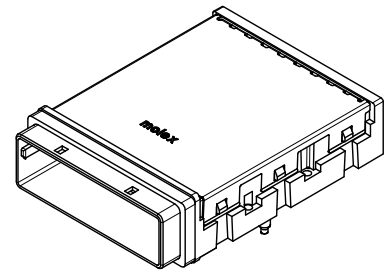
Click to view price, real time Inventory, Delivery & Lifecycle Information:

[Molex Connector Corporation](#)
[0755810008](#)

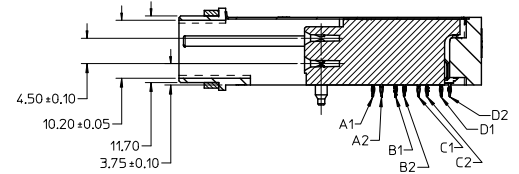
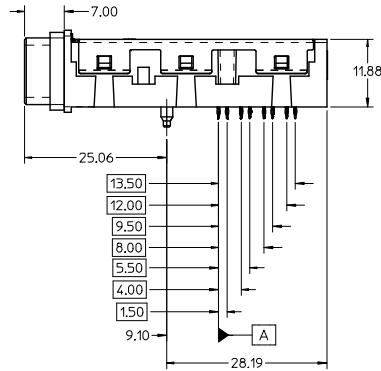
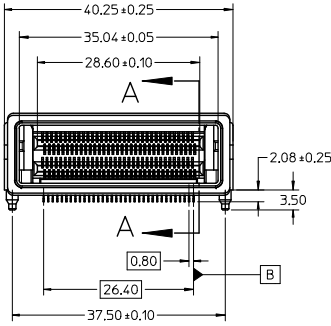
For any questions, you can email us directly:
sales@integrated-circuit.com



NO COVER OPTION



COVER OPTION



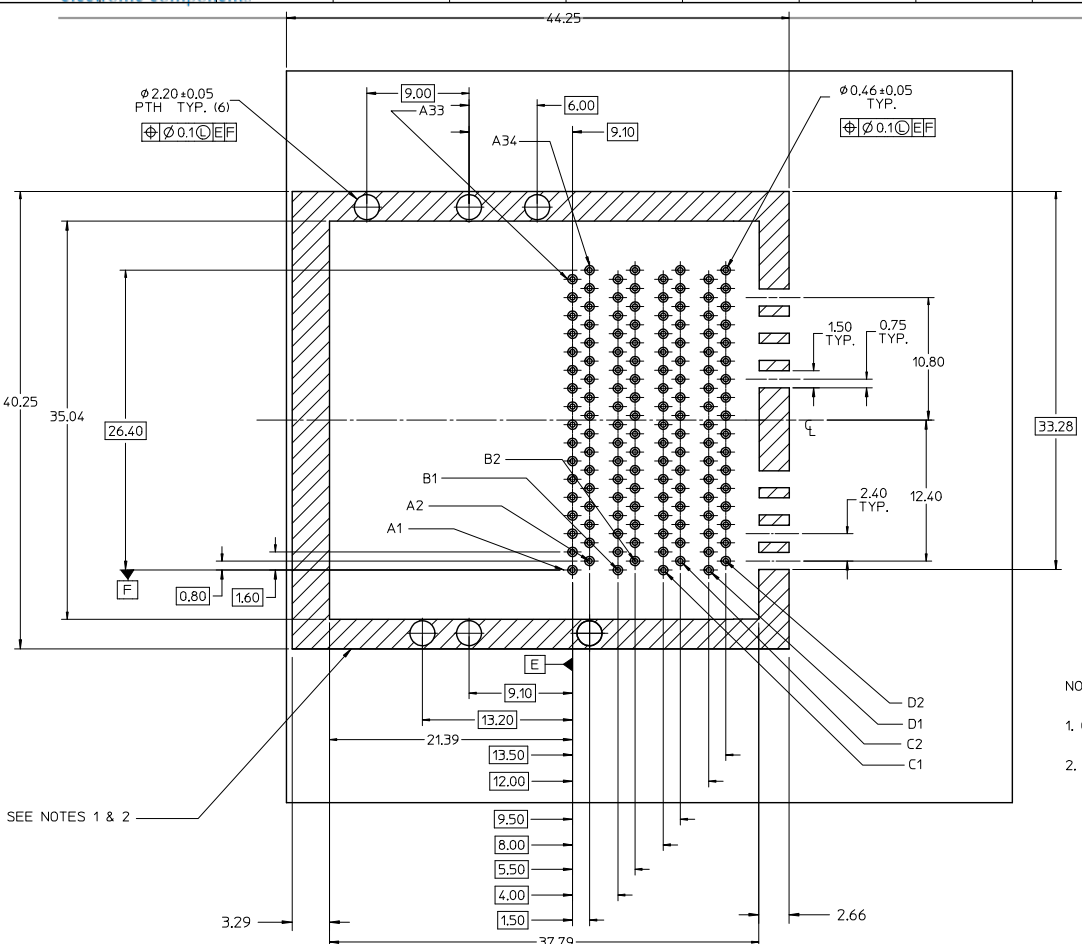
SECTION A-A

NOTES :

- MATERIALS:**
CONNECTOR HOUSING - HIGH TEMP THERMOPLASTIC, GLASS FILLED, UL94V-0
EMI HOUSING - NICKEL PLATED DIE CAST ALLOY
COVER - STAINLESS STEEL ALLOY
EMI GASKET - SEE CHART
- PLATING OPTIONS:**
(A) CONTACT AREA - 0.38µm MIN GOLD OVER 2.54 µm MIN NICKEL
COMPLIANT TAIL AREA - 0.76 - 1.52 µm TIN
OVER 1.27 µm MIN NICKEL.
(B) CONTACT AREA - 0.76µm MIN GOLD OVER 2.54 µm MIN NICKEL
COMPLIANT TAIL AREA - 0.76 - 1.52 µm TIN
OVER 1.27 µm MIN NICKEL.
- PRODUCT SPECIFICATION :** PS-75586-001
- THIS CONNECTOR IS DESIGNED TO MATE WITH MOLEX CABLE SERIES 74546.**
- PACKAGING SPECIFICATION :** TRAY PACK PER PK-75581-001
- MOUNTING HARDWARE REQ'D :** M2x8mm CAP SCREWS (4)

PART NUMBER	PLATING OPTION	GASKET TYPE	COVER OPTION
75581-0008	A	CONDUCTIVE POLYMER	YES
75581-0009	B	CONDUCTIVE POLYMER	YES
75581-0018	A	UL 94V-0	YES
75581-0019	B	UL 94V-0	YES
75581-0020	A	UL 94V-0	NO
75581-0021	B	UL 94V-0	NO

ADD P/N UL94V0 EC NO: UCP2014-5033 DRAWN: MCLELL 2014/05/30 CHECK: MCLELL AND 2014/06/03 APPROVED: BAWKAT 2014/06/05 DESCRIPTION REV H3	QUALITY SYMBOLS ∇=0 ∇=0	GENERAL TOLERANCES (UNLESS SPECIFIED) mm INCH 4 PLACES ± --- ± --- 3 PLACES ± --- ± --- 2 PLACES ± 0.13 ± --- 1 PLACE ± 0.25 ± --- ANGULAR ± 1/2°	DIMENSION STYLE MM ONLY DRAWN BY KREGNIER DATE 10/21/04 CHECKED BY DATE APPROVED BY RNELSON DATE 10/28/04	SCALE 2:1 DESIGN UNITS METRIC THIRD ANGLE PROJECTION	TITLE 16X PCIE I-PASS CONNECTOR FAMILY 0.80 MM PITCH I/O MOLEX INCORPORATED	MATERIAL NO. SEE CHART SIZE C	DOCUMENT NO. SD-75581-001	SHEET NO. 1 OF 3
	DRAFT WHERE APPLICABLE MUST REMAIN WITHIN DIMENSIONS							
	THIS DRAWING CONTAINS INFORMATION THAT IS PROPRIETARY TO MOLEX INCORPORATED AND SHOULD NOT BE USED WITHOUT WRITTEN PERMISSION							
	MOLEX INCORPORATED							



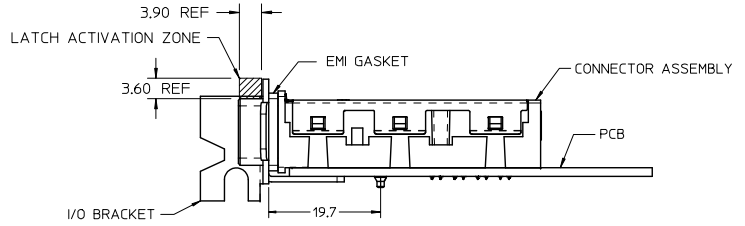
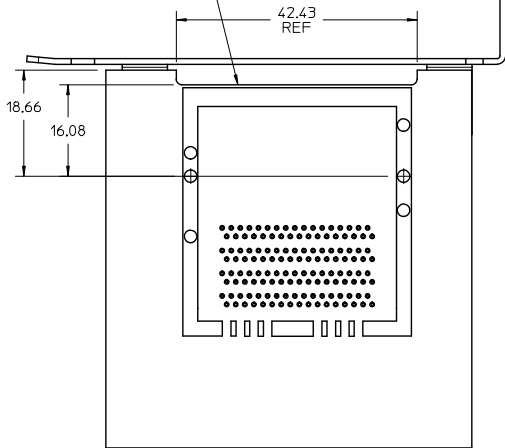
- NOTES :
- CROSS HATCHED AREA TO BE CONDUCTIVE ON THE PCB.
 - CROSS HATCHED AREA MUST BE INCORPORATED IN THE FLAT ROCK PRESS-FIT TOOLING.

RECOMMENDED PCB LAYOUT : COMPONENT SIDE SHOWN
PCB THICKNESS : 1.35mm MIN.

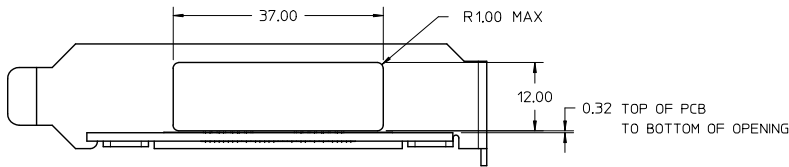
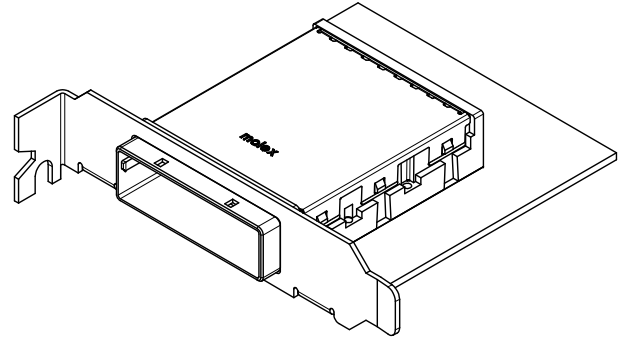
SEE SHEET 1 EC NO: UCP2014-5033 DRAWN BY: MCLELL 2014/05/30 CHECKED BY: MCLELLAND 2014/06/03 APPROVED BY: BANKS 2014/06/05 H3 REV	QUALITY SYMBOLS $\nabla=0$ $\nabla=0$	GENERAL TOLERANCES (UNLESS SPECIFIED) <table border="1"> <tr> <th></th> <th>mm</th> <th>INCH</th> </tr> <tr> <td>4 PLACES</td> <td>± 0.13</td> <td>± 0.005</td> </tr> <tr> <td>3 PLACES</td> <td>± 0.25</td> <td>± 0.010</td> </tr> <tr> <td>2 PLACES</td> <td>± 0.50</td> <td>± 0.020</td> </tr> <tr> <td>1 PLACE</td> <td>± 1.27</td> <td>± 0.050</td> </tr> </table> ANGULAR ±1/2°		mm	INCH	4 PLACES	± 0.13	± 0.005	3 PLACES	± 0.25	± 0.010	2 PLACES	± 0.50	± 0.020	1 PLACE	± 1.27	± 0.050	DIMENSION STYLE MM ONLY	SCALE 4:1	DESIGN UNITS METRIC	THIRD ANGLE PROJECTION
		mm	INCH																		
4 PLACES	± 0.13	± 0.005																			
3 PLACES	± 0.25	± 0.010																			
2 PLACES	± 0.50	± 0.020																			
1 PLACE	± 1.27	± 0.050																			
DRAWN BY: KREGNIER CHECKED BY: DATE APPROVED BY: RNELSON DATE: 10/28/04	TITLE 16X PCIE I-PASS CONNECTOR FAMILY 0.80 MM PITCH I/O	MATERIAL NO. SEE CHART	DOCUMENT NO. SD-75581-001	MOLEX INCORPORATED	SHEET NO. 2 OF 3	THIS DRAWING CONTAINS INFORMATION THAT IS PROPRIETARY TO MOLEX INCORPORATED AND SHOULD NOT BE USED WITHOUT WRITTEN PERMISSION															

13 12 11 10 9 8 7 6 5 4 3 2 1

PCle PCB APPLICATION
PCB EDGE CUT OUT



ASSEMBLED VIEW



I/O BRACKET CUT-OUT
(NOT SUPPLIED)

SEE SHEET 1 EC NO: UCP204-5033 DRAWN BY: 2014/05/30 CHKD: MCCLELLAND 2014/06/03 APPROV: BANKS 2014/06/05 H3 REV	QUALITY SYMBOLS ▽=0 ▽=0	GENERAL TOLERANCES (UNLESS SPECIFIED) mm INCH 4 PLACES ± --- ± --- 3 PLACES ± --- ± --- 2 PLACES ± 0.13 ± --- 1 PLACE ± 0.25 ± --- ANGULAR ± 1/2°	DIMENSION STYLE MM ONLY DRAWN BY: KREGNIER DATE: 10/21/04 CHECKED BY: DATE:	SCALE: 2:1 DESIGN UNITS: METRIC THIRD ANGLE PROJECTION	TITLE: 16X PCIE I-PASS CONNECTOR FAMILY 0.80 MM PITCH I/O MOLEX INCORPORATED	MATERIAL NO. SEE CHART	DOCUMENT NO. SD-75581-001	SHEET NO. 3 OF 3	
	DRAFT WHERE APPLICABLE MUST REMAIN WITHIN DIMENSIONS		SIZE: C	THIS DRAWING CONTAINS INFORMATION THAT IS PROPRIETARY TO MOLEX INCORPORATED AND SHOULD NOT BE USED WITHOUT WRITTEN PERMISSION					
	SEE CHART								
	THIS DRAWING CONTAINS INFORMATION THAT IS PROPRIETARY TO MOLEX INCORPORATED AND SHOULD NOT BE USED WITHOUT WRITTEN PERMISSION								

12 11 10 9 8 7 6 5 4 3 2 1