

Excellent Integrated System Limited

Stocking Distributor

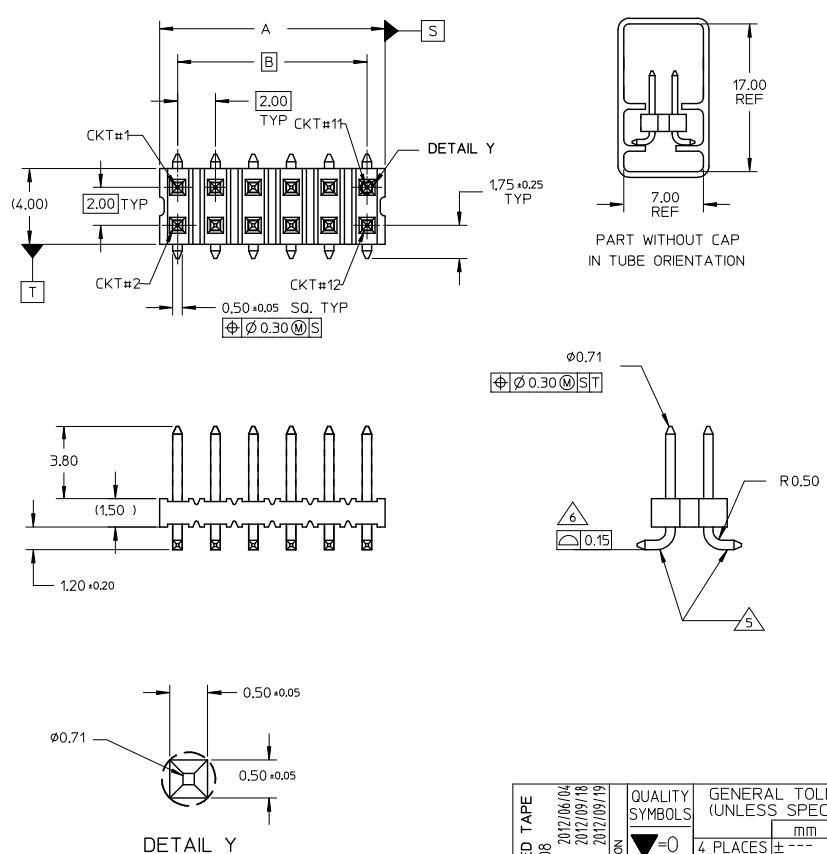
Click to view price, real time Inventory, Delivery & Lifecycle Information:

[Molex Connector Corporation](#)
[0877591014](#)

For any questions, you can email us directly:

sales@integrated-circuit.com

10 9 8 7 6 5 4 3 2 1



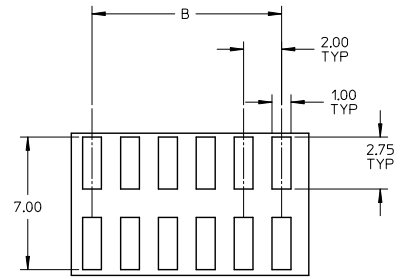
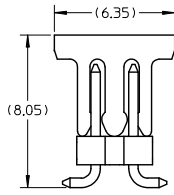
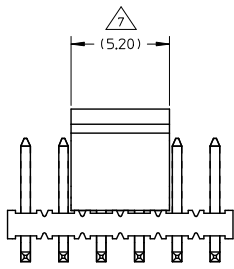
- NOTE:
- MATERIAL:
HSG & CAP - NYLON, GLASS FILLED
UL 94V-0, COLOUR BLACK
PIN - 0.50 SQ PHOSPHOR BRONZE
 - PLATING OPTION:
(1) 0.38um MIN GOLD PLATE AT CONTACT AREA,
TIN PLATE AT SOLDER AREA,
BOTH OVER NICKEL UNDERPLATE
(2) 0.05 - 0.25um GOLD PLATE AT CONTACT AREA,
TIN PLATE AT SOLDER AREA,
BOTH OVER NICKEL UNDERPLATE
 - PIN PUSHOUT FORCE: 1KG MIN IN EITHER DIRECTION
 - PRODUCT SPEC PS-87761-100 APPLIES.
 - BEND DEPRESSION IS ACCEPTABLE SO LONG AS IT DOES NOT AFFECT THE OVERALL COPLANARITY OF TAIL.
 - COPLANARITY IS TO BE MEASURED BY RESTING THE SOLDER TAIL ON A FLAT SURFACE.
 - CAP TO BE LOCATED AS CENTRAL OF PART AS POSSIBLE
TOP SURFACE OF CAP TO BE FLAT FOR THE PURPOSE OF PICK & PLACE BY VACUUM SUCTION NOZZLE.
 - FOR ILLUSTRATION PURPOSES, 12CKT IS SHOWN.
 - CKT 4 & 6 IS CUT FROM CKT 8 & 12 RESPECTIVELY
ROUGH EDGES ARE EXPECTED ALONG THE CUTTING EDGES.
 - PART TO BE PACKED IN TRAY ONLY.
 - TUBE LENGTH IS 560MM REF STANDARD.

tb_frame_A3_P_AM_T
Rev. E 2006/04/15

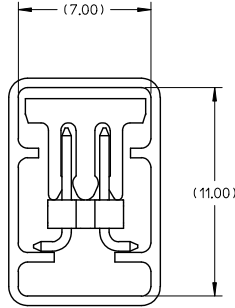
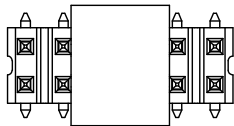
REVISE EMBOSSED TAPE EC NO.: S2012-0908 DRAWN BY: DRW:SKANG CHKD BY: CHK:ATSEE APPR: MLONG DATE: 2012/06/04 DATE: 2012/09/18 DATE: 2012/09/19	QUALITY SYMBOLS	GENERAL TOLERANCES (UNLESS SPECIFIED)		DIMENSION STYLE MM ONLY		SCALE NTS	DESIGN UNITS METRIC	THIRD ANGLE PROJECTION
	▽=0	4 PLACES ± --- ± ---	mm	INCH	DRAWN BY KSEE	DATE 2003/12/12	TITLE CUSTOM HEADER MGRID, 2MM DUAL ROW HDR. SMT	
	▽=0	3 PLACES ± --- ± ---			CHECKED BY KCLING	DATE 2004/01/12	MOLEX INCORPORATED	
		2 PLACES ± 0.2 ± ---			APPROVED BY SKTOH	DATE 2004/01/12	DOCUMENT NO. SD-87759-117	SHEET NO. 1 OF 7
		1 PLACE ± --- ± ---						
		ANGULAR ± 3 °	DRAFT WHERE APPLICABLE MUST REMAIN WITHIN DIMENSIONS		SEE TABLE		THIS DRAWING CONTAINS INFORMATION THAT IS PROPRIETARY TO MOLEX INCORPORATED AND SHOULD NOT BE USED WITHOUT WRITTEN PERMISSION	

9 8 7 6 5 4 3 2 1

10 9 8 7 6 5 4 3 2 1



RECOMMENDED SOLDER PAD LAYOUT

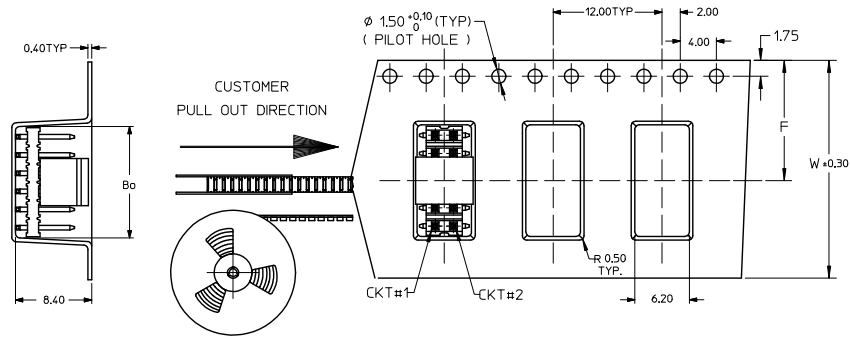


REVISE EMBOSSED TAPE EC NO. S2012-0908 DRAWN:KANG 2012/06/04 CHK:DATSEE 2012/09/18 APPR:MLONG 2012/09/19	QUALITY SYMBOLS ▼=0 ▽=0	GENERAL TOLERANCES (UNLESS SPECIFIED)		DIMENSION STYLE MM ONLY		SCALE NTS	DESIGN UNITS METRIC	THIRD ANGLE PROJECTION
			mm	INCH	DRAWN BY	DATE	TITLE	
		4 PLACES	± ---	± ---	KSEE	2003/12/12	CUSTOM HEADER MGRID, 2MM DUAL ROW HDR. SMT	
		3 PLACES	± ---	± ---	CHECKED BY	DATE		
	2 PLACES	± 0.2	± ---	KCLING	2004/01/12	MOLEX INCORPORATED		
	1 PLACE	± ---	± ---	APPROVED BY	DATE			
	ANGULAR ± 3°			SKTOH	2004/01/12	DOCUMENT NO. SD-87759-117	SHEET NO. 2 OF 7	
DRAFT WHERE APPLICABLE MUST REMAIN WITHIN DIMENSIONS		MATERIAL NO. SEE TABLE		THIS DRAWING CONTAINS INFORMATION THAT IS PROPRIETARY TO MOLEX INCORPORATED AND SHOULD NOT BE USED WITHOUT WRITTEN PERMISSION				

9 8 7 6 5 4 3 2 1

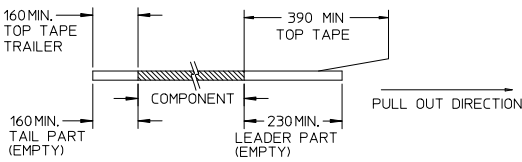
10 9 8 7 6 5 4 3 2 1

EMBOSSED CARRIER TAPE TYPE "A"

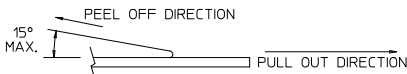


NOTES:

12. LEADER AND TRAILER TAPE



13. PEELING OFF FORCE OF THE TOP TAPE: 20-80gf.
(PEELING DIRECTION AS SHOWN IN FOLLOWING FIGURE)



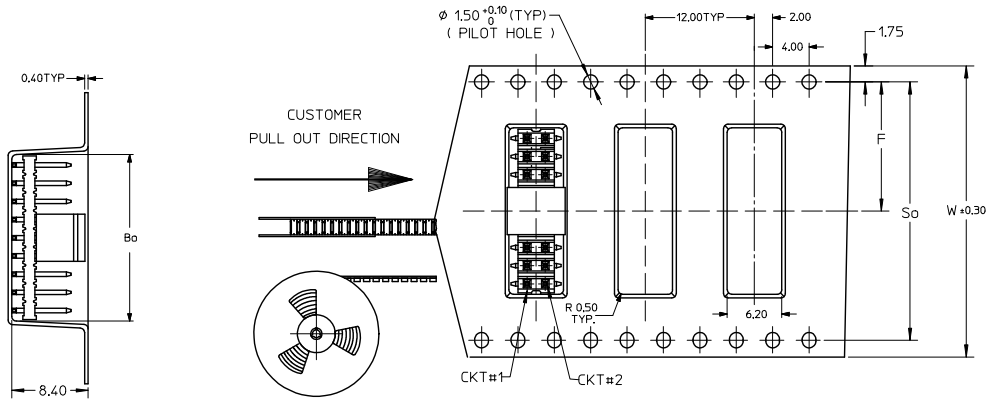
- 14. PACKAGING STANDARD IS AS PER EIA-481.
- 15. TAPE & REEL QUANTITY = SEE TABLE
- 16. THE TAPE IS TREATED FOR ANTI-STATIC

REVISE EMBOSSED TAPE EC. NO.: S2012-0908 2012/06/04 DRWN:SKANG CHKD:ATSEE 2012/09/18 APPR:MLONG 2012/09/19	QUALITY SYMBOLS ▽=0 ▽=0	GENERAL TOLERANCES (UNLESS SPECIFIED)		DIMENSION STYLE MM ONLY		SCALE NTS	DESIGN UNITS METRIC	THIRD ANGLE PROJECTION
		4 PLACES ± --- ± ---	3 PLACES ± --- ± ---	2 PLACES ± 0.2 ± ---	1 PLACE ± --- ± ---	ANGULAR ± 3 °	DRAWN BY KSEE 2003/12/12	DATE 2003/12/12
B7	DESCRIPTION	DRAFT WHERE APPLICABLE MUST REMAIN WITHIN DIMENSIONS		SEE TABLE		MATERIAL NO. SKT0H		DATE 2004/01/12
				SIZE A3		MOLEX INCORPORATED		DOCUMENT NO. SD-87759-117
				THIS DRAWING CONTAINS INFORMATION THAT IS PROPRIETARY TO MOLEX INCORPORATED AND SHOULD NOT BE USED WITHOUT WRITTEN PERMISSION				SHEET NO. 3 OF 7

9 8 7 6 5 4 3 2 1

10 9 8 7 6 5 4 3 2 1

EMBOSSED CARRIER TAPE TYPE "B"

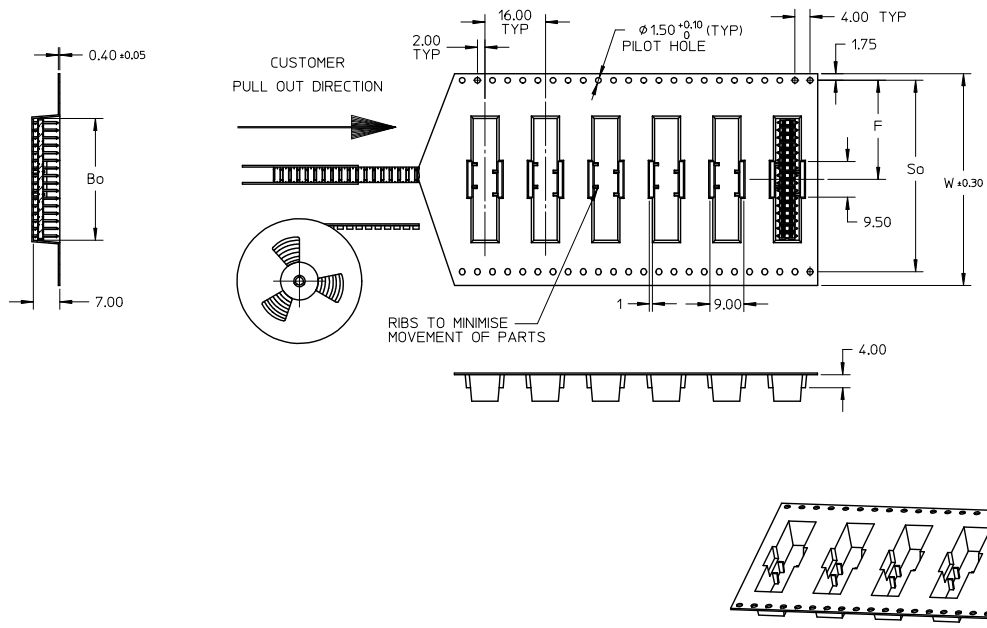


REVISE EMBOSSED TAPE EC NO: S2012-0908 DRAWN: KANG CHK: DATSEE APPR: HLONG 2012/06/04 2012/09/18 2012/09/19	QUALITY SYMBOLS ▽=0 ▽=0	GENERAL TOLERANCES (UNLESS SPECIFIED)		DIMENSION STYLE MM ONLY		SCALE NTS	DESIGN UNITS METRIC	THIRD ANGLE PROJECTION	
		4 PLACES ± --- ± --- 3 PLACES ± --- ± --- 2 PLACES ± 0.2 ± --- 1 PLACE ± --- ± --- ANGULAR ± 3 °	mm INCH	DRAWN BY KSEE DATE 2003/12/12	DATE 2003/12/12	TITLE CUSTOM HEADER MGRID, 2MM DUAL ROW HDR. SMT			
		DRAFT WHERE APPLICABLE MUST REMAIN WITHIN DIMENSIONS	MATERIAL NO. SEE TABLE		CHECKED BY KCLING DATE 2004/01/12	APPROVED BY SKTOH DATE 2004/01/12	MOLEX INCORPORATED		SHEET NO. 4 OF 7
	B7	DESCRIPTION	THIS DRAWING CONTAINS INFORMATION THAT IS PROPRIETARY TO MOLEX INCORPORATED AND SHOULD NOT BE USED WITHOUT WRITTEN PERMISSION		DOCUMENT NO. SD-87759-117				

9 8 7 6 5 4 3 2 1

10 9 8 7 6 5 4 3 2 1

EMBOSSED CARRIER TAPE TYPE 'B1'

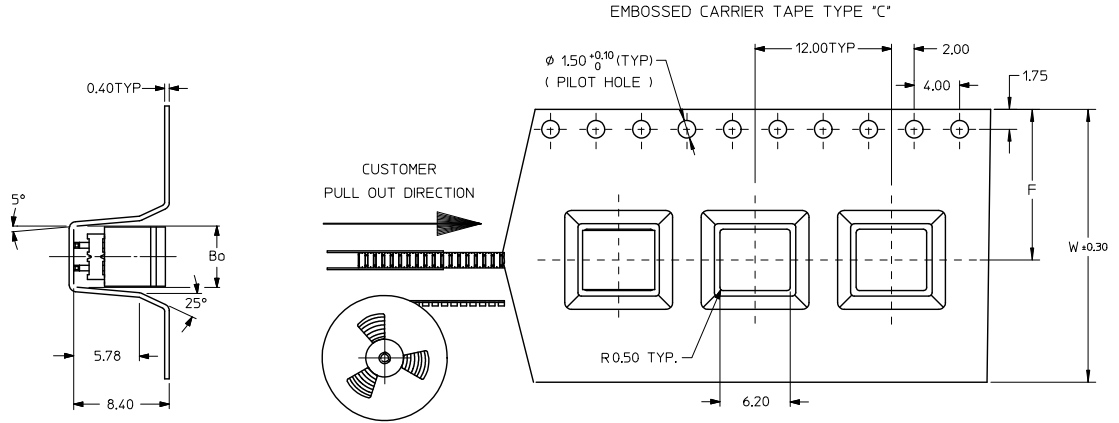


REVISE EMBOSSED TAPE EC NO: S2012-0908 DRAWN: SKANG 2012/06/04 CHKD: AT SEE 2012/09/18 APPR: PLONG 2012/09/19	QUALITY SYMBOLS	GENERAL TOLERANCES (UNLESS SPECIFIED)		DIMENSION STYLE MM ONLY		SCALE NTS	DESIGN UNITS METRIC	THIRD ANGLE PROJECTION	
	√=0	4 PLACES ± ---	± ---	DRAWN BY KSEE	DATE 2003/12/12	TITLE CUSTOM HEADER			
	√=0	3 PLACES ± ---	± ---	CHECKED BY KCLING	DATE 2004/01/12	MGRID, 2MM DUAL ROW HDR. SMT			
	√=0	2 PLACES ± 0.2	± ---	APPROVED BY SKTOH	DATE 2004/01/12	molex			
		1 PLACE ± ---	± ---	MATERIAL NO.	SEE TABLE	DOCUMENT NO.	SD-87759-117	SHEET NO. 5 OF 7	
		0 PLACE ±	±	DRAFT WHERE APPLICABLE MUST REMAIN WITHIN DIMENSIONS					
				ANGULAR ± 3 °					
				SIZE A3					
				THIS DRAWING CONTAINS INFORMATION THAT IS PROPRIETARY TO MOLEX INCORPORATED AND SHOULD NOT BE USED WITHOUT WRITTEN PERMISSION					

9 8 7 6 5 4 3 2 1

10 9 8 7 6 5 4 3 2 1

THIS TYPE OF CARRIER IS FOR CKT SIZE 8 AND BELOW.

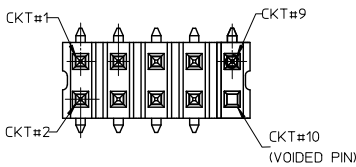


REVISE EMBOSSED TAPE EC NO: S2012-0908 DRAWN: KWANG CHK: DATSEE APPR: HLONG 2012/06/04 2012/09/18 2012/09/19	QUALITY SYMBOLS ▽=0 ▽=0	GENERAL TOLERANCES (UNLESS SPECIFIED)	DIMENSION STYLE MM ONLY	SCALE NTS	DESIGN UNITS METRIC	THIRD ANGLE PROJECTION																																					
		<table border="1"> <thead> <tr> <th></th> <th>mm</th> <th>INCH</th> </tr> </thead> <tbody> <tr> <td>4 PLACES</td> <td>±---</td> <td>±---</td> </tr> <tr> <td>3 PLACES</td> <td>±---</td> <td>±---</td> </tr> <tr> <td>2 PLACES</td> <td>±0.2</td> <td>±---</td> </tr> <tr> <td>1 PLACE</td> <td>±---</td> <td>±---</td> </tr> <tr> <td colspan="3">ANGULAR ± 3°</td> </tr> </tbody> </table>		mm	INCH	4 PLACES	±---	±---	3 PLACES	±---	±---	2 PLACES	±0.2	±---	1 PLACE	±---	±---	ANGULAR ± 3°			<table border="1"> <thead> <tr> <th>DRAWN BY</th> <th>DATE</th> <th>TITLE</th> </tr> </thead> <tbody> <tr> <td>KSEE</td> <td>2003/12/12</td> <td rowspan="4"> CUSTOM HEADER MGRID, 2MM DUAL ROW HDR. SMT </td> </tr> <tr> <td>CHECKED BY</td> <td>DATE</td> </tr> <tr> <td>KCLING</td> <td>2004/01/12</td> </tr> <tr> <td>APPROVED BY</td> <td>DATE</td> </tr> <tr> <td>SKTOH</td> <td>2004/01/12</td> <td> MOLEX INCORPORATED </td> </tr> </tbody> </table>	DRAWN BY	DATE	TITLE	KSEE	2003/12/12	CUSTOM HEADER MGRID, 2MM DUAL ROW HDR. SMT	CHECKED BY	DATE	KCLING	2004/01/12	APPROVED BY	DATE	SKTOH	2004/01/12	MOLEX INCORPORATED	<table border="1"> <thead> <tr> <th>MATERIAL NO.</th> <th>DOCUMENT NO.</th> <th>SHEET NO.</th> </tr> </thead> <tbody> <tr> <td>SEE TABLE</td> <td>SD-87759-117</td> <td>6 OF 7</td> </tr> </tbody> </table>	MATERIAL NO.	DOCUMENT NO.	SHEET NO.	SEE TABLE	SD-87759-117	6 OF 7
		mm	INCH																																								
	4 PLACES	±---	±---																																								
3 PLACES	±---	±---																																									
2 PLACES	±0.2	±---																																									
1 PLACE	±---	±---																																									
ANGULAR ± 3°																																											
DRAWN BY	DATE	TITLE																																									
KSEE	2003/12/12	CUSTOM HEADER MGRID, 2MM DUAL ROW HDR. SMT																																									
CHECKED BY	DATE																																										
KCLING	2004/01/12																																										
APPROVED BY	DATE																																										
SKTOH	2004/01/12	MOLEX INCORPORATED																																									
MATERIAL NO.	DOCUMENT NO.	SHEET NO.																																									
SEE TABLE	SD-87759-117	6 OF 7																																									
	DRAFT WHERE APPLICABLE MUST REMAIN WITHIN DIMENSIONS	THIS DRAWING CONTAINS INFORMATION THAT IS PROPRIETARY TO MOLEX INCORPORATED AND SHOULD NOT BE USED WITHOUT WRITTEN PERMISSION																																									
REV B7	DESCRIPTION																																										

9 8 7 6 5 4 3 2 1

	10	9	8	7	6	5	4	3	2	1					
	PART NUMBER WITHOUT CAP IN TUBE	PART NUMBER WITH CAP IN TUBE	PART NUMBER WITH CAP IN TAPE AND REEL.	PART NUMBER WITHOUT CAP IN TAPE AND REEL.	CKT SIZE	VOID CKTS	A	B	Bo	F	So	W	EMBOSSED TYPE	QTY/ REEL	PLATING OPTION
F	87759-0414	87759-0464	87759-0474	-	4	--	NA	2.00	5.40	11.50	-	24.00	C	750	1
	87759-0614	87759-0664	87759-0674	-	6	--	NA	4.00	7.20	11.50	-	24.00	C		
	87759-0814	87759-0864	87759-0874	-	8	--	7.90	6.00	8.20	11.50	-	24.00	C		
	87759-1014	87759-1064	87759-1074	-	10	--	9.90	8.00	10.20	11.50	-	24.00	A		
	87759-1002	87759-1003	87759-1004	-	10	10	9.90	8.00	10.20	11.50	-	24.00	A		
	87759-1214	87759-1264	87759-1274	-	12	--	11.90	10.00	12.20	11.50	-	24.00	A		
E	87759-1414	87759-1464	87759-1474	-	14	--	13.90	12.00	14.20	11.50	-	24.00	A		
	87759-1614	87759-1664	87759-1674	-	16	--	15.90	14.00	16.20	14.20	28.40	32.00	B		
	87759-1814	87759-1864	87759-1874	-	18	--	17.90	16.00	18.20	14.20	28.40	32.00	B		
	87759-2014	87759-2064	87759-2074	-	20	--	19.90	18.00	20.20	14.20	28.40	32.00	B		
D	87759-2214	87759-2264	87759-2274	-	22	--	21.90	20.00	22.20	20.20	40.40	44.00	B		
	87759-2414	87759-2464	87759-2474	-	24	--	23.90	22.00	24.20	20.20	40.40	44.00	B		
	87759-2614	87759-2664	87759-2674	-	26	--	25.90	24.00	26.20	20.20	40.40	44.00	B		
	87759-2814	87759-2864	87759-2874	-	28	--	27.90	26.00	28.20	20.20	40.40	44.00	B		
	87759-3014	87759-3064	87759-3074	-	30	--	29.90	28.00	30.20	20.20	40.40	44.00	B		
	87759-3214	87759-3264	87759-3274	-	32	--	31.90	30.00	32.20	20.20	40.40	56.00	B		
	87759-3414	87759-3464	87759-3474	-	34	--	33.90	32.00	34.20	26.20	52.40	56.00	B		
	87759-3614	87759-3664	87759-3674	-	36	--	35.90	34.00	36.20	26.20	52.40	56.00	B		
C	-	-	-	87759-3679	36	--	35.90	34.00	36.20	26.20	52.40	56.00	B1	500	
	87759-3814	87759-3864	87759-3874	-	38	--	37.90	36.00	38.20	26.20	52.40	56.00	B		
	87759-4014	87759-4064	87759-4074	-	40	--	39.90	38.00	40.20	26.20	52.40	56.00	B		
	87759-4214	87759-4264	87759-4274	-	42	--	41.90	40.00	42.20	26.20	52.40	56.00	B		
	87759-4414	87759-4464	87759-4474	-	44	--	43.90	42.00	44.20	26.20	52.40	56.00	B		
	87759-4614	87759-4664	87759-4674	-	46	--	45.90	44.00	46.20	26.20	52.40	56.00	B		
B	87759-4814	87759-4864	87759-4874	-	48	--	47.90	46.00	48.20	26.20	52.40	56.00	B		
	87759-5014	87759-5064	87759-5074	-	50	--	49.90	48.00	50.20	34.20	68.40	72.00	B		

NOTES:
VOIDED PIN CKT#10 FOR PART#87759-1002



REVISIONS
REV. NO. 52012-0908
DRAWN:SKMG 2012/06/04
CHKD:ATSEE 2012/09/18
APPR:MLONG 2012/09/19

QUALITY SYMBOLS
▽=0
▽=0

GENERAL TOLERANCES (UNLESS SPECIFIED)	
	mm
4 PLACES	± ---
3 PLACES	± ---
2 PLACES	± 0.2
1 PLACE	± ---
ANGULAR ± 3°	

DIMENSION STYLE	
MM ONLY	
DRAWN BY	DATE
KSEE	2003/12/12
CHECKED BY	DATE
KCLING	2004/01/12
APPROVED BY	DATE
SKTOH	2004/01/12
MATERIAL NO.	SEE TABLE

SCALE	DESIGN UNITS	THIRD ANGLE PROJECTION
NTS	METRIC	

TITLE
CUSTOM HEADER
MGRID, 2MM DUAL ROW HDR.
SMT

MOLEX INCORPORATED

DOCUMENT NO. SD-87759-117

SHEET NO. 7 OF 7