

Excellent Integrated System Limited

Stocking Distributor

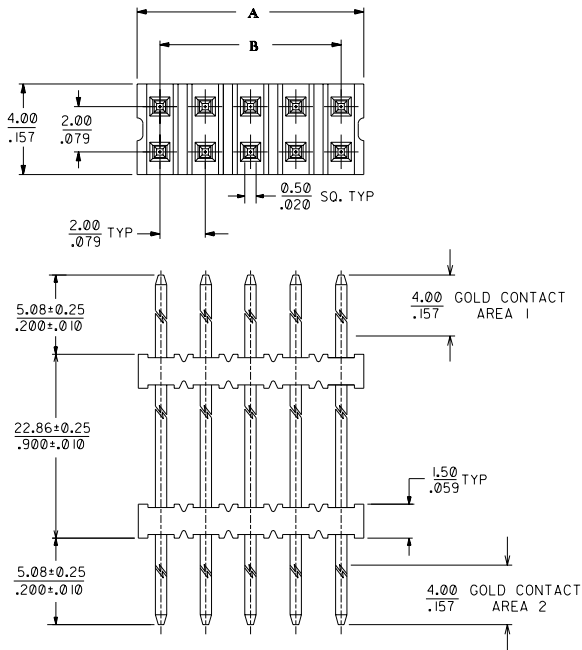
Click to view price, real time Inventory, Delivery & Lifecycle Information:

[Molex Connector Corporation](#)
[0877610001](#)

For any questions, you can email us directly:

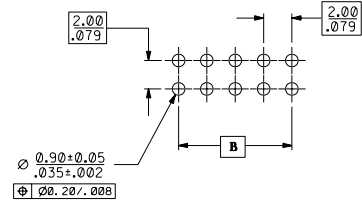
sales@integrated-circuit.com

PART NO.	CKT SIZE	DIMENSION			
		A		B	
		MM	INCH	MM	INCH
87761-0001	10	9.90	.390	8.00	.315



NOTES:

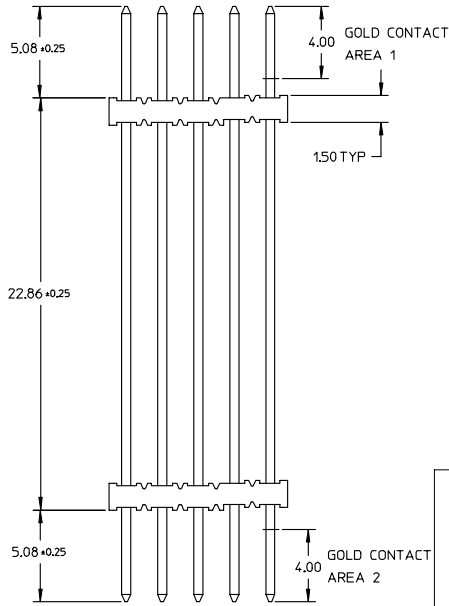
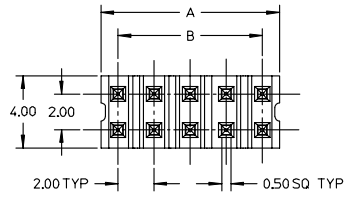
- 1) PLATING:
PIN : 0.38um/15u* MIN GOLD IN SELECTIVE CONTACT AREA 1 & 2, BOTH OVER NICKEL OVERALL.
- 2) MATERIAL:
HSG : HIGH TEMP THERMOPLASTIC, COLOR BLACK
PIN : 0.50mm SQ. COPPER ALLOY.
- 3) 10 CKT USED FOR ILLUSTRATION ONLY.
- 4) PACKED IN POCKET TRAY.



RECOMMENDED PCB PATTERN
(SCALE 5:1)

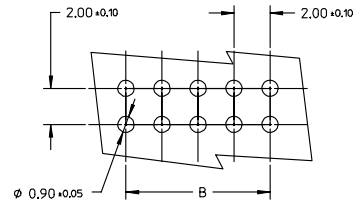
REL PER PDR#S-000208- CDR NO. S2002-0516 020614 DRAWN: KSEE 020624 CHR: LING 020626 APPR: TOH 020626 A	QUALITY SYMBOLS MAJOR ▼ = 0 CRITICAL ▽ = 0	GENERAL TOLERANCES: (UNLESS SPECIFIED)		SCALE NTS	DESIGN UNITS	THIRD ANGLE PROJECTION	DIMENSIONS:	SHT	REV	
				mm	INCH	<input checked="" type="checkbox"/> mm <input type="checkbox"/> INCH	<input checked="" type="checkbox"/> mm <input type="checkbox"/> INCH	<input type="checkbox"/> mm ONLY		REVISE ON CAD ONLY
		4 PLACES ±0. - ±. -				DRAWN BY & DATE KSEE 020614	TITLE: 2MM DUAL ROW, DUAL WAFER, 10 CKT VERTICAL THROUGH HOLE HDR.			
		3 PLACES ±0. - ±. 0.10				CHECKED BY & DATE LING 020624	MOLEX INCORPORATED			
2 PLACES ±0.25 ±. -				APPROVED BY & DATE TOH 020626	MATERIAL NO. SEE TABLE	DRAWING NO. SD-87761-001	SHEET NO. 1 OF 1		SIZE A3	
1 PLACE ±0. - ±. -				ANGULAR: ± 3 °	THIS DRAWING CONTAINS INFORMATION THAT IS PROPRIETARY TO MOLEX INCORPORATED AND SHOULD NOT BE USED WITHOUT WRITTEN PERMISSION.					

87761		
PART NUMBER	CKT SIZE	DIM.A
87761-0001	10	9.90
		DIM.B
		8.00



NOTES:

- MATERIAL:
HOUSING: HIGH TEMP THERMOPLASTIC, COLOR: BLACK
PIN: 0.50mm SQ. COPPER ALLOY
- PLATING: 0.38µm/15µm MIN GOLD IN SELECTIVE CONTACT AREA
TIN/LEAD IN SOLDERTAIL AREA 1 & 2
BOTH OVER NICKEL OVERALL
- 10 CKT USED FOR ILLUSTRATION ONLY
- PACKED IN POCKET TRAY
- PIN PUSHOUT FORCE: 1KG MIN IN EITHER DIRECTION
- PRODUCT SPECIFICATION: PS-87761-100



RECOMMENDED PCB PATTERN

EC NO: S2004-0112 DRAWN: RSHAN 2003/09/24 CHKD: KCLING 2003/09/24 APPR: SKTOH 2003/10/07	QUALITY SYMBOLS ▽-0 ▽.0	GENERAL TOLERANCES (UNLESS SPECIFIED)		SCALE NTS	DESIGN UNITS METRIC	THIRD ANGLE PROJECTION	REVISE ON CAD ONLY
		4 PLACES ± --- ± ---	3 PLACES ± --- ± ---	MM ONLY	MM ONLY	TITLE	ZMM DUAL ROW, DUAL WAFER VERTICAL THROUGH HOLE HEADER, 10CKT
A	REV	2 PLACES ± 0.20 ± ---	1 PLACE ± --- ± ---	DRAWN BY RSHAN	DATE 2003/09/08	MATERIAL NO. SEE TABLE	DOCUMENT NO. SD-87761-028
		ANGULAR ± 1°		CHECKED BY KCLING	DATE 2003/09/19		
DRAFT WHERE APPLICABLE MUST REMAIN WITHIN DIMENSIONS		APPROVED BY SKTOH		DATE 2003/09/22	THIS DRAWING CONTAINS INFORMATION THAT IS PROPRIETARY TO MOLEX INCORPORATED AND SHOULD NOT BE USED WITHOUT WRITTEN PERMISSION		