

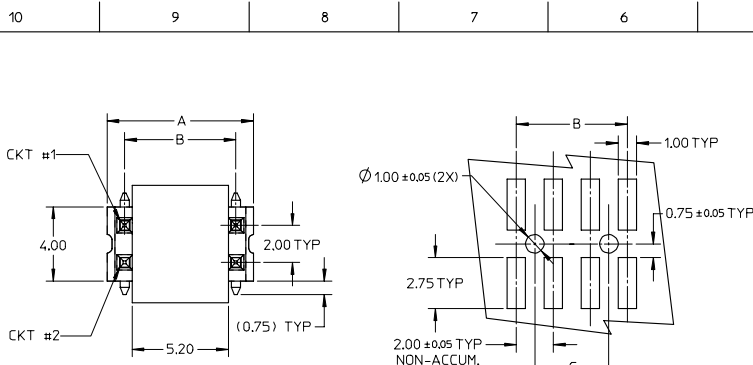
Excellent Integrated System Limited

Stocking Distributor

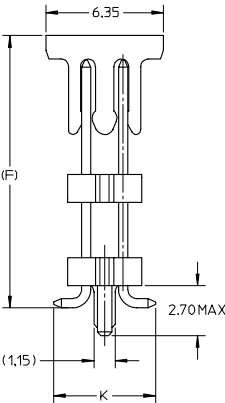
Click to view price, real time Inventory, Delivery & Lifecycle Information:

[Molex Connector Corporation](#)
[0877620029](#)

For any questions, you can email us directly:
sales@integrated-circuit.com



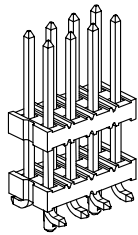
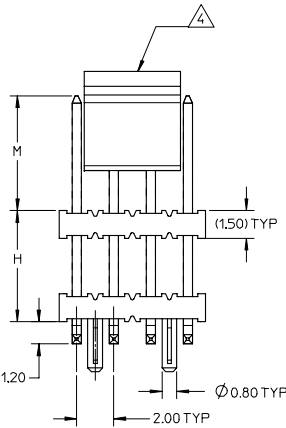
RECOMMENDED P.C.B. LAYOUT



PART NUMBERS	CKT SIZE	VOID POSITION	DIMENSION						PLATING OPTION	PACKAGING TYPE
			A	B	M	H	F	K		
87762-0873	8	----	7.90	6.00	7.62	8.45	--	5.50 ±0.15	3	WITHOUT CAP IN TUBE
87762-0874	8	----	7.90	6.00	7.62	8.45	18.58	5.50 ±0.15	3	WITH CAP IN TUBE
87762-0029	10	----	9.90	8.00	4.50	17.80	--	(5.50)	2	WITHOUT CAP IN TUBE
87762-1000	10	----	9.90	8.00	4.50	17.80	24.81	(5.50)	2	WITH CAP IN TUBE
87762-2600	26	----	25.90	24.00	7.90	11.50	--	(5.50)	1	WITHOUT CAP IN TUBE
87762-2601	26	----	25.90	24.00	7.90	11.50	21.91	(5.50)	1	WITH CAP IN TUBE

NOTES:

- MATERIAL: HOUSING: NYLON (4/6), UL94V-0, COLOR: BLACK
PIN: COPPER ALLOY, SQ, 0.50MM
- PLATING FINISH:
 - 15-25μ INCHES MIN GOLD PLATE IN SELECTED AREA AND 120-200μ INCHES MIN TIN ON SOLDER TAIL OVER 50-70μ INCHES MIN NICKEL UNDERPLATE OVERALL.
 - 120μ INCHES MIN TIN OVERALL
50μ INCHES MIN NICKEL UNDERPLATE OVERALL.
 - 15μ INCHES MIN GOLD PLATE IN SELECTED AREA AND 75μ INCHES MIN TIN ON SOLDER TAIL OVER 50μ INCHES MIN NICKEL UNDERPLATE OVERALL.
- PIN PUSHOUT FORCE: 1KG MIN IN EITHER DIRECTION.
- △ CAP TO BE LOCATED AS CENTRAL OF PART AS POSSIBLE
- THE ABOVE 8CKTS SHOWN IS FOR ILLUSTRATION ONLY.
- FOR PACKING OPTION PLEASE REFER TO THE TABLE.
- HEADER MAY BE BROKEN TO DESIRE CKT SIZE.
SLIGHTLY FLASHES SHOULD BE ACCEPTED.
- PACKAGING SPECIFICATION: PK-89990-474



QUALITY SYMBOLS ▽=0 ▽=0	GENERAL TOLERANCES (UNLESS SPECIFIED)		DIMENSION STYLE MM ONLY		SCALE NTS	DESIGN UNITS METRIC	THIRD ANGLE PROJECTION	
		mm	INCH	DRAWN BY YLQ IAO	DATE 2004/12/10	TITLE CUSTOM HEADER 2.00MM PITCH, WITH PEG DUAL ROW DUAL WAFER, SMT		
	4 PLACES	± ---	± ---	CHECKED BY PTL IM	DATE 2004/12/28	MOLEX INCORPORATED		
	3 PLACES	± ---	± ---	APPROVED BY SLOW	DATE 2004/12/28	MATERIAL NO. SD-87762-135		
	ANGULAR ± 3 °		MATERIAL NO. SEE TABLE		DOCUMENT NO. SD-87762-135		SHEET NO. 1 OF 1	
DRAFT WHERE APPLICABLE MUST REMAIN WITHIN DIMENSIONS			THIS DRAWING CONTAINS INFORMATION THAT IS PROPRIETARY TO MOLEX INCORPORATED AND SHOULD NOT BE USED WITHOUT WRITTEN PERMISSION					