

Excellent Integrated System Limited

Stocking Distributor

Click to view price, real time Inventory, Delivery & Lifecycle Information:

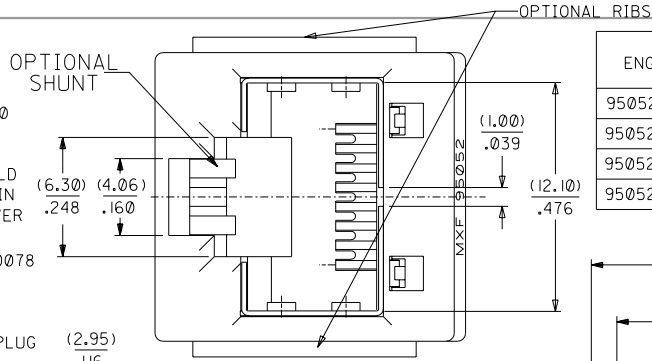
[Molex Connector Corporation](#)
[0950522886](#)

For any questions, you can email us directly:
sales@integrated-circuit.com

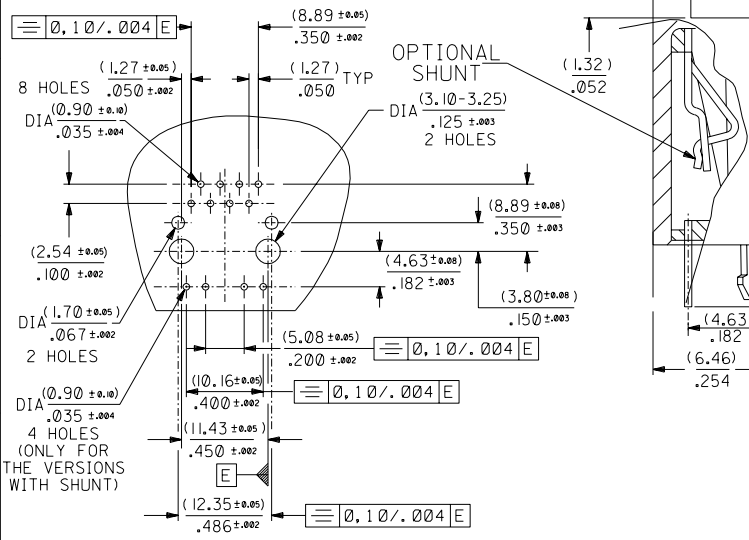
PART NO. SEE CHART
DWG. NO. SDA 95052

NOTES :

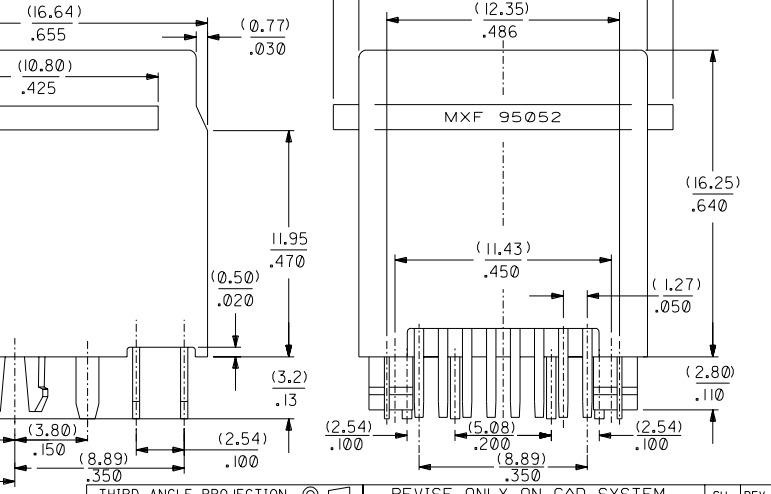
- MATERIAL : HOUSING : POLYESTER G.F. 94V0
COLOR : BLACK
TERMINAL : PHOSPHOR BRONZE,
PLATED WITH (0.00127)/.000050 MIN. GOLD
IN CONTACT AREA , (0.00190)/.000075 MIN
(90/10) TIN/LEAD IN TAIL AREA BOTH OVER
(0.00127)/.000050 MIN NICKEL OVERALL
SHIELD : BRASS PLATED WITH (0.0020)/.000078
MIN TIN/LEAD
SHUNT : PHOSPHOR BRONZE PLATED WITH
(0.0020)/.000078 MIN TIN/LEAD
- JACK FOR MATING WITH F.C.C. 68 TYPE PLUG
MOLEX 95043 SERIES
- P.C.BOARD THICKNESS : (1.57)/.062 .
- PRODUCT SPECIFICATION PS-95040
- APPLICATION SPECIFICATION AS-95001
- PACKAGING SPECIFICATION PK-95022



ENC. NO.	HSG SIZE	LOADED CKTS	WITH RIBS	WITH SHUNT	TOOLED
95052-2881	8	8	NO	NO	NO
95052-2885	8	8	NO	YES	NO
95052-2886	8	8	YES	YES	NO
95052-2887	8	8	YES	NO	YES



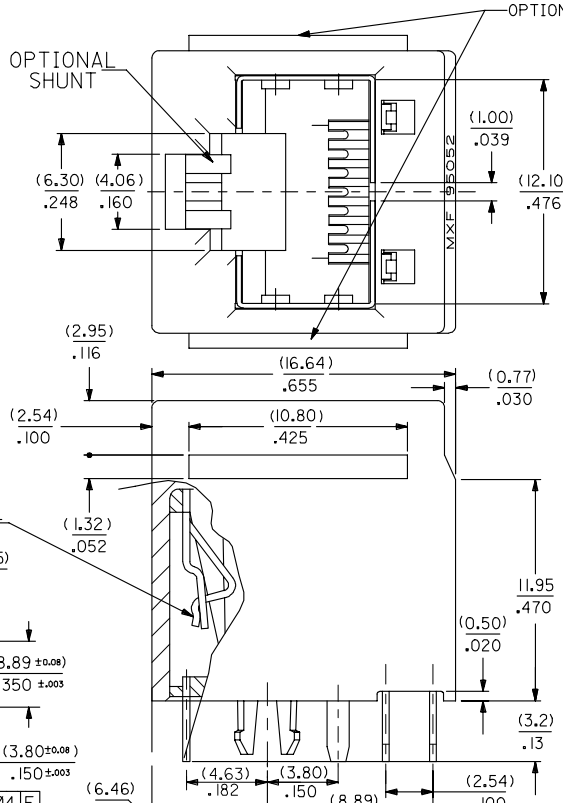
P.C.B. MOUNTING PATTERNS (SCALE 2 : 1)



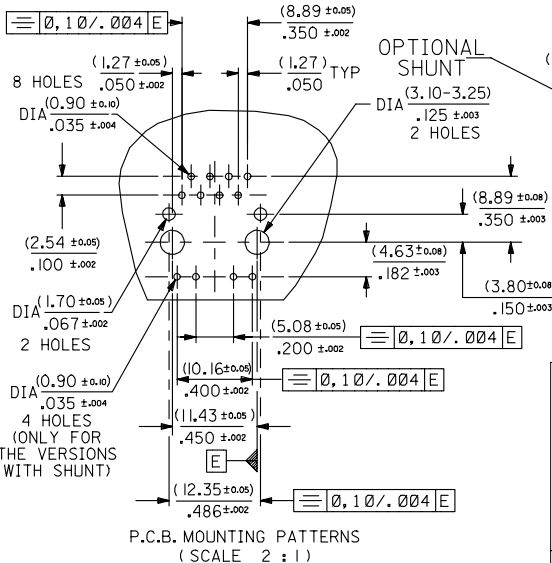
ECN: MG 1998-2633 98-01-26 ET	REVISIONS FOR PREVIOUS REVISIONS SEE PART LIST	THIRD ANGLE PROJECTION		REVISE ONLY ON CAD SYSTEM		SH.	REV.
		UNLESS OTHERWISE SPECIFIED TOLERANCES: ANGULAR ± 2° INCH METRIC		DRWG BY: MA	SIGN	CAD/CAM PROJECT NAME: S5062X1	THIS DRAWING CONTAINS INFORMATION THAT IS PROPRIETARY TO MOLEX INC. & SHOULD NOT BE USED WITHOUT WRITTEN PERMISSION
		3 PLACE ± .010 ±	2 PLACE ± .014 ± 0.25	1 PLACE ± ± 0.35	CHK'D BY: CB	SIGN	TITLE: TOP ENTRY SHIELDED AND SHUNTED JACK W.E. TYPE
DRAFT WHERE APPLICABLE MUST REMAIN WITHIN DIMENSIONS		DESIGN DIMENSION	<input type="checkbox"/> MM	<input type="checkbox"/> IN.	APP'D BY: JB	SIGN	SCALE: 5:1
EQUIVALENT DIMENSION		<input type="checkbox"/> MM	<input type="checkbox"/> IN.	MOLEX EUROPE		SHEET NO. DATE: 1 OF 1 92/04/28	
IF TWO DIMENSIONS ARE SHOWN THE UPPER IS THE DESIGN DIMENSION LOWER IS SECONDARY				PART NO. SEE CHART		DWG NO. SDA 95052	SIZE B

NOTES :

- 1- MATERIAL : HOUSING : POLYESTER G.F. 94V0
COLOR : BLACK
- TERMINAL : PHOSPHOR BRONZE,
PLATED WITH (0.00127)/.000050 MIN. GOLD
IN CONTACT AREA , (0.00190)/.000075 MIN
PURE TIN IN TAIL AREA BOTH OVER
(0.00127)/.000050 MIN NICKEL OVERALL
- SHIELD : BRASS PLATED WITH (0.0020)/.000078
MIN TIN
- SHUNT : PHOSPHOR BRONZE PLATED WITH
(0.0020)/.000078 MIN PURE TIN
- 2- JACK FOR MATING WITH F.C.C. 68 TYPE PLUG
MOLEX 95043 SERIES
- 3- P.C.BOARD THICKNESS : (1.57)/.062 .
- 4- PRODUCT SPECIFICATION PS-95040
- 5- APPLICATION SPECIFICATION AS-95001
- 6- PACKAGING SPECIFICATION PK-95022



ENG. NO.	HSG SIZE	LOADED CKTS	WITH RIBS	WITH SHUNT	TOOLED
95052-2881	8	8	NO	NO	NO
95052-2885	8	8	NO	YES	NO
95052-2886	8	8	YES	YES	NO
95052-2887	8	8	YES	NO	YES



EC NO: MG2005-0180 DRAWN BY: DRWNETMARTIN 2004/11/17 CHKD BY: CARABET 2004/11/17 APPR: KNOLLER 2004/11/18	QUALITY SYMBOLS ▽=0 ▽=0	GENERAL TOLERANCES (UNLESS SPECIFIED) <table border="1"> <thead> <tr> <th></th> <th>mm</th> <th>INCH</th> </tr> </thead> <tbody> <tr> <td>4 PLACES</td> <td>± .10</td> <td>± .004</td> </tr> <tr> <td>3 PLACES</td> <td>± .15</td> <td>± .005</td> </tr> <tr> <td>2 PLACES</td> <td>± 0.25</td> <td>± .010</td> </tr> <tr> <td>1 PLACE</td> <td>± 0.35</td> <td>± .014</td> </tr> </tbody> </table> ANGULAR ± 2 °		mm	INCH	4 PLACES	± .10	± .004	3 PLACES	± .15	± .005	2 PLACES	± 0.25	± .010	1 PLACE	± 0.35	± .014	DIMENSION STYLE MM/IN DRAWN BY: MA DATE: 1998/26/01 CHECKED BY: CB DATE: 1998/26/01 APPROVED BY: JB DATE: 1998/26/01	SCALE: 5:1 DESIGN UNITS: METRIC THIRD ANGLE PROJECTION	TITLE: TOP ENTRY SHIELDED AND SHUNTED JACK W.E. TYPE
		mm	INCH																	
4 PLACES	± .10	± .004																		
3 PLACES	± .15	± .005																		
2 PLACES	± 0.25	± .010																		
1 PLACE	± 0.35	± .014																		
DRAFT WHERE APPLICABLE MUST REMAIN WITHIN DIMENSIONS	MATERIAL NO.: SEE CHART SIZE: A3	MOLEX INCORPORATED DOCUMENT NO.: SDA-95052	SHEET NO.: 1 OF 1																	