

Excellent Integrated System Limited

Stocking Distributor

Click to view price, real time Inventory, Delivery & Lifecycle Information:

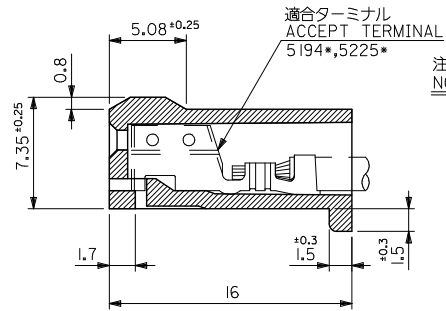
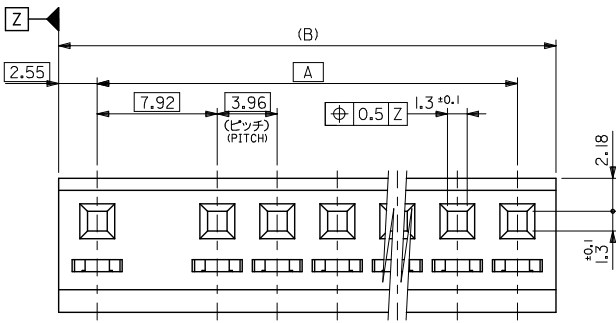
[Molex Connector Corporation](#)

[0009501123](#)

For any questions, you can email us directly:

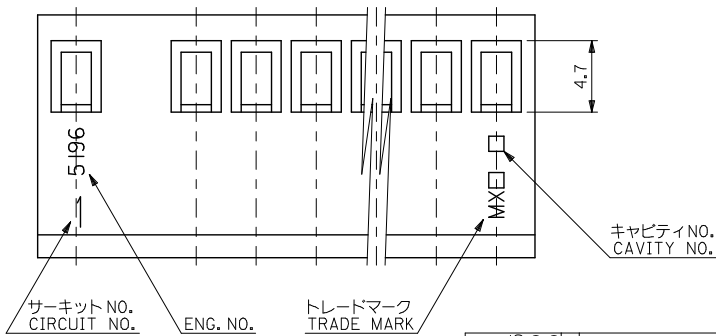
sales@integrated-circuit.com

10 9 8 7 6 5 4 3 2 1



注記
NOTES

1. 各部の反りは0.5最大。
WARPING : 0.5 MAX.
2. サークットNO.は NO."1" のみ表示。
CIRCUIT NO. : 1 ONLY.
3. ELV及びRoHS適合品。
ELV AND RoHS COMPLIANT.



52.62	47.52	09-50-1123	5196-12	12
48.66	43.56	↑ -1113	↑ -11	11
44.7	39.6	-1103	-10	10
40.74	35.64	-1093	-09	9
36.78	31.68	-1083	-08	8
32.82	27.72	-1073	-07	7
28.86	23.76	-1063	-06	6
24.9	19.8	-1053	-05	5
20.94	15.84	-1043	-04	4
16.98	11.88	↓ -1033	↓ -03	3
13.02	7.92	09-50-1023	5196-02	2
		B	A	
		EDP. NO.	ENG. NO.	部数 NO. OF CKTS.

REVISED EC NO. J2009-2074 DRAWN BY: 2009/04/15 CHKD: HIRAYAMA APPR: MIKITA 2009/04/16	GENERAL TOLERANCES (UNLESS SPECIFIED)		DIMENSION STYLE MM ONLY		SCALE 4:1	DESIGN UNITS METRIC	THIRD ANGLE PROJECTION
	10 UNDER	± 0.2	DRAWN BY	DATE	TITLE		
	10 OVER 30 UNDER	± 0.25	M. FUJIKURA	1992/09/07	SPOX 7.92/3.96 REC HSG		
	30 OVER	± 0.3	CHECKED BY	DATE			
	ANGULAR	± 3 °	H. HIRAMOTO	1992/09/08	MOLEX INCORPORATED		
	DRAFT WHERE APPLICABLE MUST REMAIN WITHIN DIMENSIONS		APPROVED BY	DATE	DOCUMENT NO.		SHEET NO.
			M. FUKUSHIMA	1992/09/08	SD-5196-001		1 OF 1
材料 MATERIAL: ナイロン66, UL94V-2 色: オフホワイト NYLON66, UL94V-2 COLOR : OFF WHITE		SEE TABLE		THIS DRAWING CONTAINS INFORMATION THAT IS PROPRIETARY TO MOLEX INCORPORATED AND SHOULD NOT BE USED WITHOUT WRITTEN PERMISSION			