

Excellent Integrated System Limited

Stocking Distributor

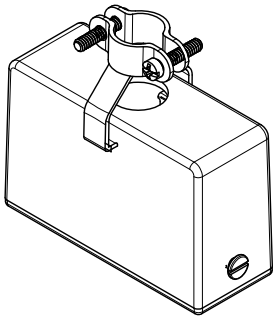
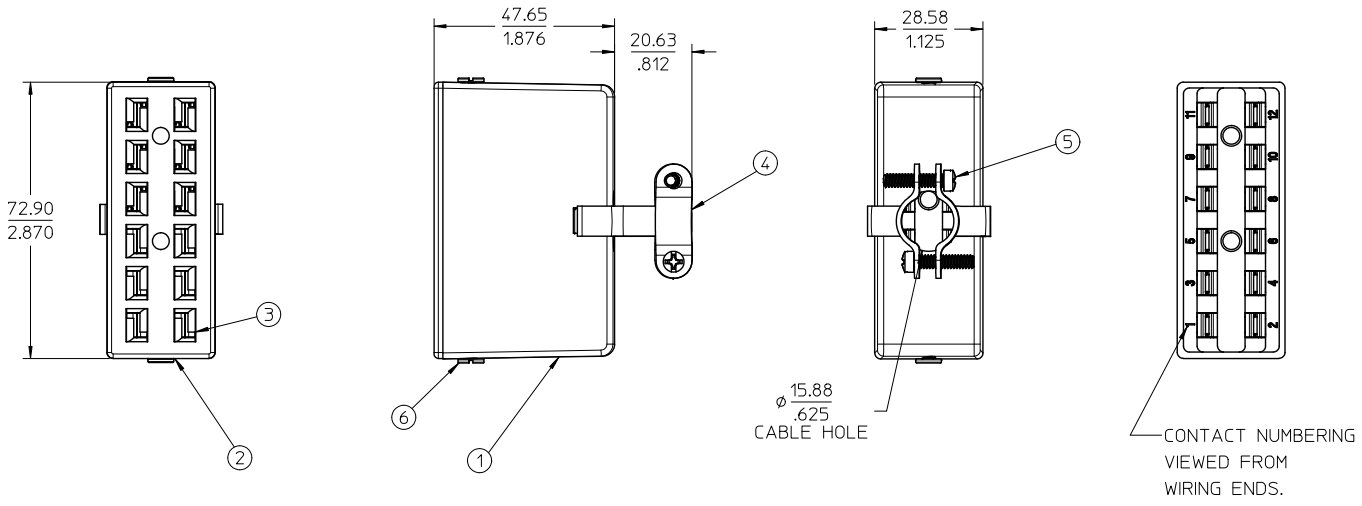
Click to view price, real time Inventory, Delivery & Lifecycle Information:

[Molex Connector Corporation](#)
[0385418412](#)

For any questions, you can email us directly:

sales@integrated-circuit.com

10 9 8 7 6 5 4 3 2 1



NOTES:
1. ASSEMBLY IS ROHS COMPLIANT.

ITEM	QTY	DESCRIPTION	MATERIAL	FINISH
6	2	SCREW #6-32X.312 PAN SLOTNI/STEEL	STEEL	NICKEL
5	2	SCREW #6-32X.625 FIL SLOTZN/BR/STL	STEEL	ZINC
4	2	CLAMP CABLE 3300 NI	STEEL	NICKEL
3	12	CONTAC S1 5400 SN/D	PHOS,BRONZE	TIN
2	1	BASE SOCKET 5412 MOGPP	PHENOLIC	BLACK
1	1	BCKSHL P S 5412 MO	POLYESTER	BLACK

REV	DESCRIPTION	QUALITY SYMBOLS	GENERAL TOLERANCES (UNLESS SPECIFIED)		DIMENSION STYLE		SCALE	DESIGN UNITS	THIRD ANGLE PROJECTION		
			mm	INCH	MM/IN	DATE	TITLE	INCH	INCH	INCH	INCH
A	INITIAL RELEASE EC NO: WNA2010-0319 DRAWN BY: 2010/02/10 CHECKED BY: 2010/05/13 APPROVED BY: 2010/07/12	▽=0 ▽=0	4 PLACES ± --- ± ---	3 PLACES ± --- ± .015	2 PLACES ± 0.38 ± ---	1 PLACE ± --- ± ---	ANGULAR ± 1/2°	DRAWN BY: GES DATE: 2010/02/10	CHECKED BY: CLYORK DATE: 2010/05/13	APPROVED BY: DTITUS DATE: 2010/07/12	TITLE: SOCKET, CCT 5412 ASY
DRAFT WHERE APPLICABLE MUST REMAIN WITHIN DIMENSIONS			MATERIAL NO. 385418412		DOCUMENT NO. SD-38541-016		SHEET NO. 1 OF 1		MATERIAL FINISH: MOLEX INCORPORATED		

9 8 7 6 5 4 3 2 1