



Distributor of Molex Connector Corporation: Excellent Integrated System Limited

Datasheet of 0386300411 - Connector Barrier Block Strip 11 Circuit 0.438" (11.12mm)

Contact us: sales@integrated-circuit.com Website: www.integrated-circuit.com

Excellent Integrated System Limited

Stocking Distributor

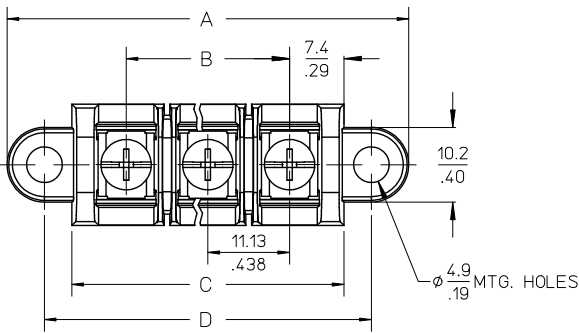
Click to view price, real time Inventory, Delivery & Lifecycle Information:

[Molex Connector Corporation](#)
[0386300411](#)

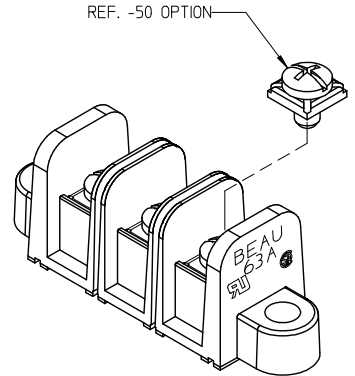
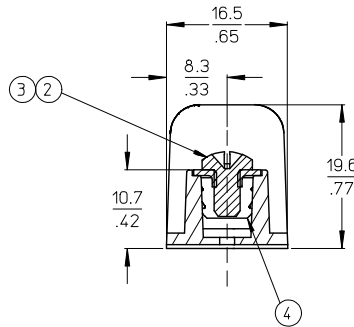
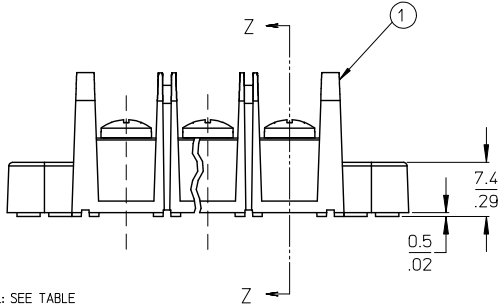
For any questions, you can email us directly:

sales@integrated-circuit.com

10 9 8 7 6 5 4 3 2 38630



MATERIAL NUMBER (STD.)	MATERIAL NUMBER (-50)	NO. OF CIRCUITS	A	B	C	D
386300402	386301602	2	43.4 (1.71)	11.13 (.438)	25.9 (1.02)	33.3 (1.31)
386300403	386301603	3	54.6 (2.15)	22.22 (.875)	37.1 (1.46)	44.5 (1.75)
386300404	386301604	4	65.7 (2.59)	33.35 (1.313)	48.3 (1.90)	55.6 (2.19)
386300405	386301605	5	76.7 (3.02)	44.45 (1.750)	59.2 (2.33)	66.5 (2.62)
386300406	386301606	6	87.9 (3.46)	55.57 (2.188)	70.4 (2.77)	77.7 (3.06)
386300407	386301607	7	99.1 (3.90)	66.67 (2.625)	81.5 (3.21)	88.9 (3.50)
386300408	386301608	8	110.2 (4.34)	77.80 (3.063)	92.7 (3.65)	100.0 (3.94)
386300409	386301609	9	121.2 (4.77)	88.90 (3.500)	103.6 (4.08)	111.0 (4.37)
386300410	386301610	10	132.3 (5.21)	100.03 (3.938)	114.8 (4.52)	122.2 (4.81)
386300411	386301611	11	143.5 (5.65)	111.13 (4.375)	125.9 (4.96)	133.4 (5.25)
386300412	386301612	12	154.7 (6.09)	122.25 (4.813)	137.2 (5.40)	144.5 (5.69)
386300413	386301613	13	165.6 (6.52)	133.35 (5.250)	148.1 (5.83)	155.4 (6.12)
386300414	386301614	14	176.8 (6.96)	144.45 (5.687)	159.3 (6.27)	166.6 (6.56)
386300415	386301615	15	188.0 (7.40)	155.58 (6.125)	170.4 (6.71)	177.8 (7.00)
386300416	386301616	16	199.1 (7.84)	166.70 (6.563)	181.6 (7.15)	189.0 (7.44)



- NOTES:
1. MATERIAL: SEE TABLE
 2. FINISHES: SEE TABLE
 3. PRODUCT SPECIFICATION: NOT REQUIRED
 4. PACKAGING: NOT REQUIRED
 5. MATES WITH: NONE
 6. *XX* REFERS TO QTY. OF CIRCUITS
 7. ROHS COMPLIANT (B)

ITEM	QTY.	DESCRIPTION	MATERIAL	FINISH
4	XX	TERMINAL, CLOSED BACK	BRASS	TIN PLATE
3	XX	SCREW/WSHR #6-32X.250 PAN, PH-SL (-50)	STEEL (B)	ZN, CLEAR CHROMATE
2	XX	SCREW #6-32X.250 BHD, PH-SL (STD.)	STEEL (B)	ZN, CLEAR CHROMATE
1	1	BARRIER TERMINAL STRIP	(B) POLYESTER (PBT)	BLACK

UPDATE MAT. DESCRIP. EC NO: WNA2009-0085 DRAWN: JEN CHAS 2008/11/25 CHKD: JORR 2008/12/15 APPR: JVALNELL 2008/12/15	QUALITY SYMBOLS ▽=0 ▽=0	GENERAL TOLERANCES (UNLESS SPECIFIED)		DIMENSION STYLE		SCALE	DESIGN UNITS	THIRD ANGLE PROJECTION
		mm	INCH	MM/IN	MM/IN	2:1	INCH	THIRD ANGLE PROJECTION
		4 PLACES	± .005	± .005	DRAWN BY R. STONE	DATE 2002/10/24	TITLE 11.13/.438" PCB BTS 600V MTG ENDS, CLOSED BACKS (63A1XX)	
		3 PLACES	± .01	± .01	CHECKED BY R. KEMP	DATE 2002/10/25		
		2 PLACES	± 0.13	± .01	APPROVED BY P. WALTZ	DATE 2002/10/28	Molex MOLEX INCORPORATED	
		1 PLACE	± 0.3	± .01	MATERIAL NO. SEE CHART	DOCUMENT NO. SD-38630-001		SHEET NO. 1 OF 1
			ANGULAR ± 2°		DRAFT WHERE APPLICABLE MUST REMAIN WITHIN DIMENSIONS			