



Distributor of Molex Connector Corporation: Excellent Integrated System Limited
Datasheet of 0386301606 - Connector Barrier Block Strip 6 Circuit 0.438" (11.12mm)

Contact us: sales@integrated-circuit.com Website: www.integrated-circuit.com

Excellent Integrated System Limited

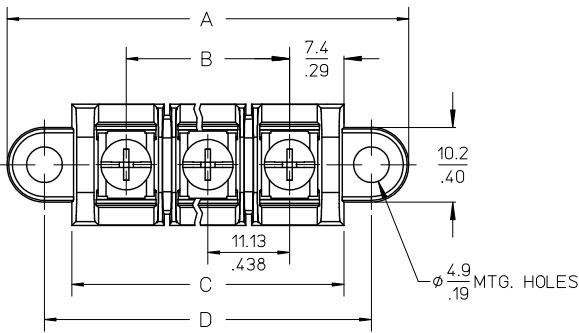
Stocking Distributor

Click to view price, real time Inventory, Delivery & Lifecycle Information:

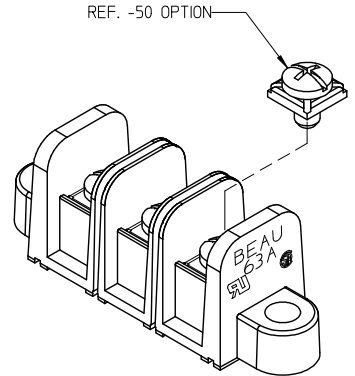
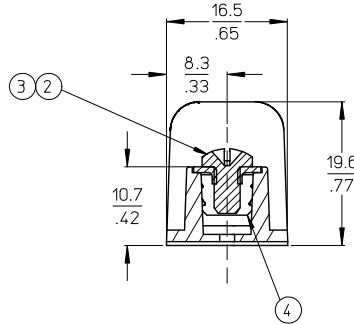
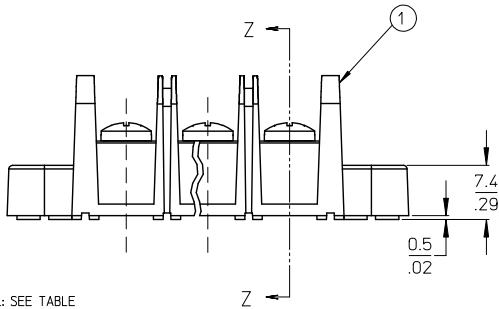
[Molex Connector Corporation](#)
[0386301606](#)

For any questions, you can email us directly:
sales@integrated-circuit.com

10 9 8 7 6 5 4 3 2 38630



MATERIAL NUMBER (STD.)	MATERIAL NUMBER (-50)	NO. OF CIRCUITS	A	B	C	D
386300402	386301602	2	43.4 (1.71)	11.13 (4.38)	25.9 (1.02)	33.3 (1.31)
386300403	386301603	3	54.6 (2.15)	22.22 (.875)	37.1 (1.46)	44.5 (1.75)
386300404	386301604	4	65.7 (2.59)	33.35 (1.313)	48.3 (1.90)	55.6 (2.19)
386300405	386301605	5	76.7 (3.02)	44.45 (1.750)	59.2 (2.33)	66.5 (2.62)
386300406	386301606	6	87.9 (3.46)	55.57 (2.188)	70.4 (2.77)	77.7 (3.06)
386300407	386301607	7	99.1 (3.90)	66.67 (2.625)	81.5 (3.21)	88.9 (3.50)
386300408	386301608	8	110.2 (4.34)	77.80 (3.063)	92.7 (3.65)	100.0 (3.94)
386300409	386301609	9	121.2 (4.77)	88.90 (3.500)	103.6 (4.08)	111.0 (4.37)
386300410	386301610	10	132.3 (5.21)	100.03 (3.938)	114.8 (4.52)	122.2 (4.81)
386300411	386301611	11	143.5 (5.65)	111.13 (4.375)	125.9 (4.96)	133.4 (5.25)
386300412	386301612	12	154.7 (6.09)	122.25 (4.813)	137.2 (5.40)	144.5 (5.69)
386300413	386301613	13	165.6 (6.52)	133.35 (5.250)	148.1 (5.83)	155.4 (6.12)
386300414	386301614	14	176.8 (6.96)	144.45 (5.687)	159.3 (6.27)	166.6 (6.56)
386300415	386301615	15	188.0 (7.40)	155.58 (6.125)	170.4 (6.71)	177.8 (7.00)
386300416	386301616	16	199.1 (7.84)	166.70 (6.563)	181.6 (7.15)	189.0 (7.44)



- NOTES:
1. MATERIAL: SEE TABLE
 2. FINISHES: SEE TABLE
 3. PRODUCT SPECIFICATION: NOT REQUIRED
 4. PACKAGING: NOT REQUIRED
 5. MATES WITH: NONE
 6. *XX* REFERS TO QTY. OF CIRCUITS
 7. ROHS COMPLIANT (B)

ITEM	QTY.	DESCRIPTION	MATERIAL	FINISH
4	XX	TERMINAL, CLOSED BACK	BRASS	TIN PLATE
3	XX	SCREW/WSHR #6-32X.250 PAN, PH-SL (-50)	STEEL (B)	ZN, CLEAR CHROMATE
2	XX	SCREW #6-32X.250 BHD, PH-SL (STD.)	STEEL (B)	ZN, CLEAR CHROMATE
1	1	BARRIER TERMINAL STRIP	(B) POLYESTER (PBT)	BLACK

UPDATE MAT. DESCRIP. EC NO: WNA2009-0085 DRAWING: JEN CHAS 2008/11/25 CHECK: CHORR 2008/12/15 APPR: JVALONE L 2008/12/15	QUALITY SYMBOLS ▽=0 ▽=0	GENERAL TOLERANCES (UNLESS SPECIFIED)		DIMENSION STYLE MM/IN		SCALE 2:1	DESIGN UNITS INCH	THIRD ANGLE PROJECTION
		4 PLACES ± .13 3 PLACES ± .01 2 PLACES ± .01 1 PLACE ± .03	± .13 ± .01 ± .01 ± .03	DRAWN BY R. STONE	DATE 2002/10/24	TITLE 11.13/.438" PCB BTS 600V MTG ENDS, CLOSED BACKS (63A1XX)		
DRAFT WHERE APPLICABLE MUST REMAIN WITHIN DIMENSIONS		APPROVED BY P. WALTZ		DATE 2002/10/28		MOLEX INCORPORATED		
		MATERIAL NO. SEE CHART		DOCUMENT NO. SD-38630-001		SHEET NO. 1 OF 1		