



**Distributor of Molex Connector Corporation: Excellent Integrated System Limited**  
Datasheet of 0386307602 - Connector Barrier Block Strip 2 Circuit 0.438" (11.12mm)

Contact us: [sales@integrated-circuit.com](mailto:sales@integrated-circuit.com) Website: [www.integrated-circuit.com](http://www.integrated-circuit.com)

---

## **Excellent Integrated System Limited**

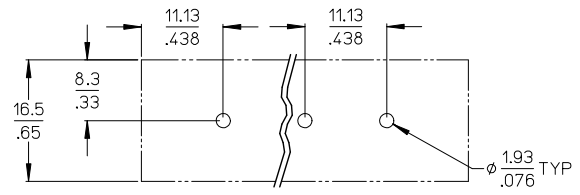
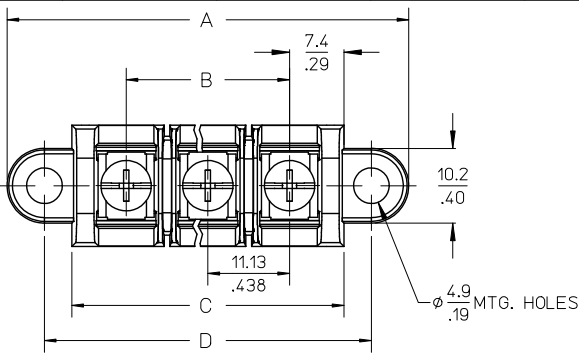
Stocking Distributor

Click to view price, real time Inventory, Delivery & Lifecycle Information:

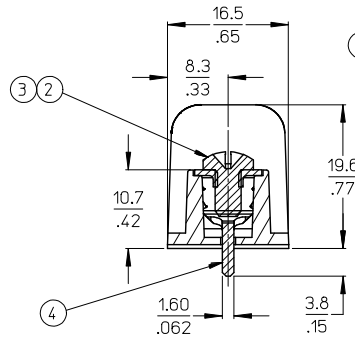
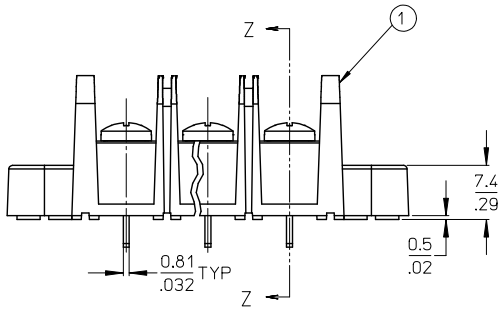
[Molex Connector Corporation](#)  
[0386307602](#)

For any questions, you can email us directly:  
[sales@integrated-circuit.com](mailto:sales@integrated-circuit.com)

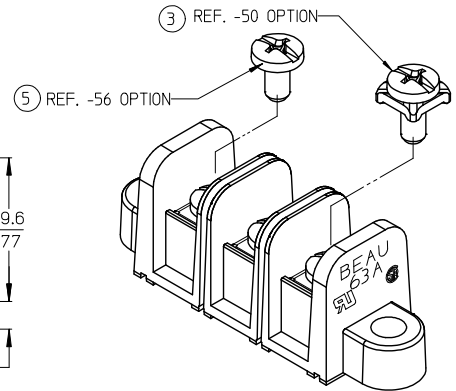
10 9 8 7 6 5 4 3 2 38630



RECOMMENDED PLATED THRU HOLE PATTERN



SECTION Z-Z



NOTES:

1. MATERIAL: SEE TABLE
2. FINISHES: SEE TABLE
3. \*XX\* REFERS TO QTY. OF CIRCUITS.
4. ASSEMBLY IS ROHS COMPLIANT.

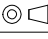

ⓓ

| ITEM                                  | QTY. | DESCRIPTION                                     | MATERIAL        | FINISH             | QUALITY SYMBOLS   | GENERAL TOLERANCES (UNLESS SPECIFIED)                |        | DIMENSION STYLE    | SCALE                     | DESIGN UNITS | THIRD ANGLE PROJECTION   |        |
|---------------------------------------|------|---|-----------------|--------------------|---|--|--------|--------------------|---------------------------|--------------|--|--------|
|                                       |      |   |                 |                    |   | mm   | INCH   | MM/IN              | 2:1                       | INCH         | ⓓ  |        |
| 5                                     | XX   | SCREW #6-32X.250 BHD, PH-SL STAINLESS (-56 OPT) | STAINLESS STL   | PASSIVATE          | CHG SS SCREW DRIVE RECESS<br>EC NO: IP522013-0364<br>2010/08/16<br>DRWING: YOKO<br>2012/09/12<br>CHKD: MACHIELL<br>APPR: J.MACHIELL<br>2012/11/05 | 4 PLACES   | ± .005 | ± .005             | DRAWN BY                  | DATE         | TITLE<br>11.13/438" PCB BTS 600V<br>MTG ENDS, STD LENGTH<br>(63A5XX) |        |
| 4                                     | XX   | TERMINAL, PC (SHORT)                            | BRASS           | TIN PLATE          |   | 3 PLACES   | ± .005 | ± .005             | R. STONE                  | 2003/03/25   |  |        |
| 3                                     | XX   | SCREW/WSHR #6-32X.250 PAN, PH-SL (-50)          | STEEL           | ZN, CLEAR CHROMATE |   | 2 PLACES   | ± 0.13 | ± .01              | CHECKED BY                | DATE         |  |        |
| 2                                     | XX   | SCREW #6-32X.250 BHD, PH-SL (STD)               | STEEL           | ZN, CLEAR CHROMATE |   | 1 PLACE  | ± 0.3  | ± .01              | R. KEMP                   | 2003/03/27   |  |        |
| 1                                     | 1    | BARRIER TERMINAL STRIP                          | POLYESTER (PBT) | BLACK              |   | ANGULAR ± 2°   |        | APPROVED BY        | DATE                      | 2003/03/28   |  |        |
| ITEM QTY. DESCRIPTION MATERIAL FINISH |      |   |                 |                    |   | DRAFT WHERE APPLICABLE MUST REMAIN WITHIN DIMENSIONS |        | SEE CHART          | MATERIAL NO. DOCUMENT NO. |              | SHEET NO.  |        |
| 1b_frome_B_P_ME_T Rev. E 2006/04/15   |      |   |                 |                    |   |  |        | MOLEX INCORPORATED |                           | SD-38630-007 |  | 1 OF 2 |

THIS DRAWING CONTAINS INFORMATION THAT IS PROPRIETARY TO MOLEX INCORPORATED AND SHOULD NOT BE USED WITHOUT WRITTEN PERMISSION

10 9 8 7 6 5 4 3 2 38630

| MATERIAL NUMBER (STD.) | MATERIAL NUMBER (-56) | MATERIAL NUMBER (-50) | NO. OF CIRCUITS | A            | B              | C            | D            |
|------------------------|-----------------------|-----------------------|-----------------|--------------|----------------|--------------|--------------|
| 386306402              | 386390093             | 386307602             | 2               | 43.4 (1.71)  | 11.13 (4.38)   | 25.9 (1.02)  | 33.3 (1.31)  |
| 386306403              | 386390094             | 386307603             | 3               | 54.6 (2.15)  | 22.22 (8.75)   | 37.1 (1.46)  | 44.5 (1.75)  |
| 386306404              | 386390095             | 386307604             | 4               | 65.7 (2.59)  | 33.35 (1.313)  | 48.3 (1.90)  | 55.6 (2.19)  |
| 386306405              | 386390096             | 386307605             | 5               | 76.7 (3.02)  | 44.45 (1.750)  | 59.2 (2.33)  | 66.5 (2.62)  |
| 386306406              | 386390097             | 386307606             | 6               | 87.9 (3.46)  | 55.57 (2.188)  | 70.4 (2.77)  | 77.7 (3.06)  |
| 386306407              | 386390098             | 386307607             | 7               | 99.1 (3.90)  | 66.67 (2.625)  | 81.5 (3.21)  | 88.9 (3.50)  |
| 386306408              | 386390099             | 386307608             | 8               | 110.2 (4.34) | 77.80 (3.063)  | 92.7 (3.65)  | 100.0 (3.94) |
| 386306409              | 386390100             | 386307609             | 9               | 121.2 (4.77) | 88.90 (3.500)  | 103.6 (4.08) | 111.0 (4.37) |
| 386306410              | 386390101             | 386307610             | 10              | 132.3 (5.21) | 100.03 (3.938) | 114.8 (4.52) | 122.2 (4.81) |
| 386306411              | 386390102             | 386307611             | 11              | 143.5 (5.65) | 111.13 (4.375) | 125.9 (4.96) | 133.4 (5.25) |
| 386306412              | 386390103             | 386307612             | 12              | 154.7 (6.09) | 122.25 (4.813) | 137.2 (5.40) | 144.5 (5.69) |
| 386306413              | 386390104             | 386307613             | 13              | 165.6 (6.52) | 133.35 (5.250) | 148.1 (5.83) | 155.4 (6.12) |
| 386306414              |                       | 386307614             | 14              | 176.8 (6.96) | 144.45 (5.687) | 159.3 (6.27) | 166.6 (6.56) |
| 386306415              |                       | 386307615             | 15              | 188.0 (7.40) | 155.58 (6.125) | 170.4 (6.71) | 177.8 (7.00) |
| 386306416              |                       | 386307616             | 16              | 199.1 (7.84) | 166.70 (6.563) | 181.6 (7.15) | 189.0 (7.44) |

|  |  |   |  |  |                           |   |                     |
|--|--|---|--|--|---------------------------|---|---------------------|
| SEE SHEET ONE<br>FCC NO: WNA2009-0085<br>DRAWN: JENGLINS 2008/11/25<br>CHKD: CLORE 2008/12/15<br>APPR: J.MAGNELL 2008/12/15<br>DESCRIPTION<br>REV: | QUALITY SYMBOLS  | GENERAL TOLERANCES (UNLESS SPECIFIED)<br>mm INCH<br>4 PLACES ± .005 ± .005<br>3 PLACES ± .01 ± .01<br>2 PLACES ± .013 ± .01<br>1 PLACE ± 0.3 ± .005<br>ANGULAR ± 2°<br>DRAFT WHERE APPLICABLE MUST REMAIN WITHIN DIMENSIONS | DIMENSION STYLE  | SCALE  | DESIGN UNITS              | THIRD ANGLE PROJECTION  |                     |
|  | ▽=0<br>▽=0   |   | MM/IN  | 2:1  | INCH                      |  |                     |
|  | DRAWN BY<br>R. STONE<br>DATE<br>2003/03/25<br>CHECKED BY<br>R. KEMP<br>DATE<br>2003/03/27<br>APPROVED BY<br>P. WALTZ<br>DATE<br>2003/03/28 |   | TITLE<br>11.13/438" PCB BTS 600V<br>MTG ENDS, STD LENGTH<br>(63A5XX) |  MOLEX INCORPORATED | MATERIAL NO.<br>SEE CHART | DOCUMENT NO.<br>SD-38630-007  | SHEET NO.<br>2 OF 2 |
|  | THIS DRAWING CONTAINS INFORMATION THAT IS PROPRIETARY TO MOLEX INCORPORATED AND SHOULD NOT BE USED WITHOUT WRITTEN PERMISSION              |   |  |  |                           |   |                     |

9 8 7 6 5 4 3 2 1