



**Distributor of Molex Connector Corporation: Excellent Integrated System Limited**  
Datasheet of 0386307604 - Connector Barrier Block Strip 4 Circuit 0.438" (11.12mm)

Contact us: [sales@integrated-circuit.com](mailto:sales@integrated-circuit.com) Website: [www.integrated-circuit.com](http://www.integrated-circuit.com)

---

## **Excellent Integrated System Limited**

Stocking Distributor

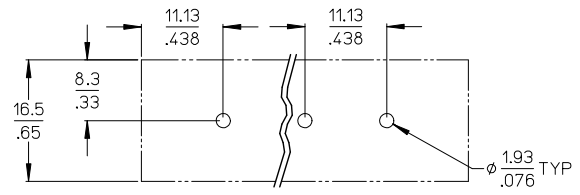
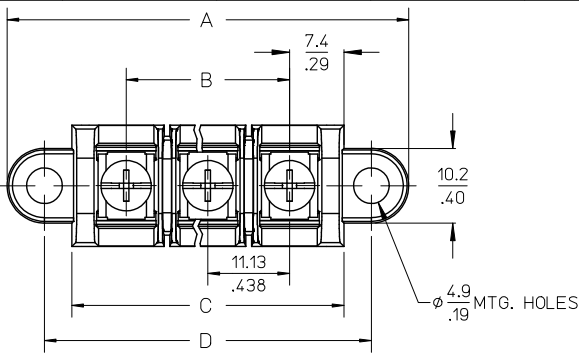
Click to view price, real time Inventory, Delivery & Lifecycle Information:

[Molex Connector Corporation](#)  
[0386307604](#)

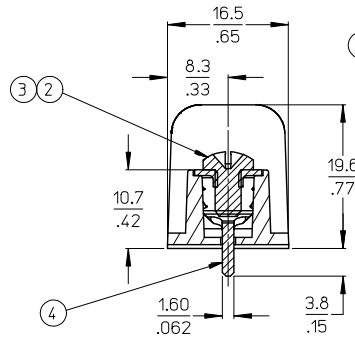
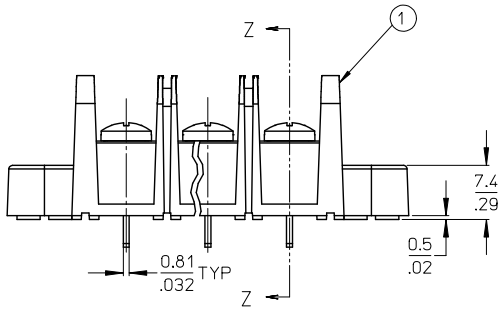
For any questions, you can email us directly:

[sales@integrated-circuit.com](mailto:sales@integrated-circuit.com)

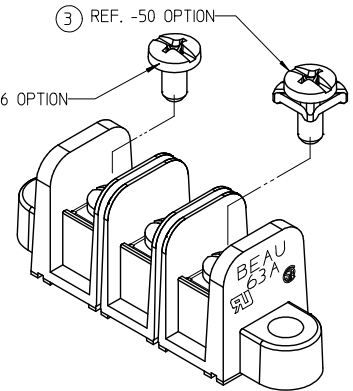
10 9 8 7 6 5 4 3 2 38630



RECOMMENDED PLATED THRU HOLE PATTERN



SECTION Z-Z



NOTES:

1. MATERIAL: SEE TABLE
2. FINISHES: SEE TABLE
3. \*XX\* REFERS TO QTY. OF CIRCUITS.
4. ASSEMBLY IS ROHS COMPLIANT.

(D)

ITEM	QTY.	DESCRIPTION	MATERIAL	FINISH
5	XX	SCREW #6-32X.250 BHD, PH-SL STAINLESS (-56 OPT)	STAINLESS STL	PASSIVATE
4	XX	TERMINAL, PC (SHORT)	BRASS	TIN PLATE
3	XX	SCREW/WSHR #6-32X.250 PAN, PH-SL (-50)	STEEL	ZN, CLEAR CHROMATE
2	XX	SCREW #6-32X.250 BHD, PH-SL (STD)	STEEL	ZN, CLEAR CHROMATE
1	1	BARRIER TERMINAL STRIP	POLYESTER (PBT)	BLACK

CHG SS SCREW DRIVE RECESS	2010/08/16
EC NO: IP522013-0364	2012/09/12
DRWING: YORK	2012/11/05
CHKD: MAGNELL	
APPR: MAGNELL	
REV	DESCRIPTION
D	

QUALITY SYMBOLS	GENERAL TOLERANCES (UNLESS SPECIFIED)
▽=0	mm INCH
▽=0	4 PLACES ± .005 ± .005
	3 PLACES ± .01 ± .01
	2 PLACES ± 0.13 ± .01
	1 PLACE ± 0.3 ± .01
	ANGULAR ± 2°
	DRAFT WHERE APPLICABLE MUST REMAIN WITHIN DIMENSIONS

DIMENSION STYLE	SCALE	DESIGN UNITS	THIRD ANGLE PROJECTION
MM/IN	2:1	INCH	
DRAWN BY	DATE	TITLE	
R. STONE	2003/03/25	11.13/438" PCB BTS 600V	
CHECKED BY	DATE	MTG ENDS, STD LENGTH	
R. KEMP	2003/03/27	(63A5XX)	
APPROVED BY	DATE	MATERIAL NO.	DOCUMENT NO.
P. WALTZ	2003/03/28	SEE CHART	SD-38630-007
		SIZE	SHEET NO.
		B	1 OF 2

MATERIAL NO.		DOCUMENT NO.	SHEET NO.
SEE CHART		SD-38630-007	1 OF 2

MOLEX INCORPORATED			
THIS DRAWING CONTAINS INFORMATION THAT IS PROPRIETARY TO MOLEX INCORPORATED AND SHOULD NOT BE USED WITHOUT WRITTEN PERMISSION			

1b\_frome\_B\_P\_ME\_T Rev. E 2006/04/15 9 8 7 6 5 4 3 2 1

10 9 8 7 6 5 4 3 2 38630

MATERIAL NUMBER (STD.)	MATERIAL NUMBER (-56)	MATERIAL NUMBER (-50)	NO. OF CIRCUITS	A	B	C	D
386306402	386390093	386307602	2	43.4 (1.71)	111.3 (4.38)	25.9 (1.02)	33.3 (1.31)
386306403	386390094	386307603	3	54.6 (2.15)	22.22 (0.875)	37.1 (1.46)	44.5 (1.75)
386306404	386390095	386307604	4	65.7 (2.59)	33.35 (1.313)	48.3 (1.90)	55.6 (2.19)
386306405	386390096	386307605	5	76.7 (3.02)	44.45 (1.750)	59.2 (2.33)	66.5 (2.62)
386306406	386390097	386307606	6	87.9 (3.46)	55.57 (2.188)	70.4 (2.77)	77.7 (3.06)
386306407	386390098	386307607	7	99.1 (3.90)	66.67 (2.625)	81.5 (3.21)	88.9 (3.50)
386306408	386390099	386307608	8	110.2 (4.34)	77.80 (3.063)	92.7 (3.65)	100.0 (3.94)
386306409	386390100	386307609	9	121.2 (4.77)	88.90 (3.500)	103.6 (4.08)	111.0 (4.37)
386306410	386390101	386307610	10	132.3 (5.21)	100.03 (3.938)	114.8 (4.52)	122.2 (4.81)
386306411	386390102	386307611	11	143.5 (5.65)	111.13 (4.375)	125.9 (4.96)	133.4 (5.25)
386306412	386390103	386307612	12	154.7 (6.09)	122.25 (4.813)	137.2 (5.40)	144.5 (5.69)
386306413	386390104	386307613	13	165.6 (6.52)	133.35 (5.250)	148.1 (5.83)	155.4 (6.12)
386306414		386307614	14	176.8 (6.96)	144.45 (5.687)	159.3 (6.27)	166.6 (6.56)
386306415		386307615	15	188.0 (7.40)	155.58 (6.125)	170.4 (6.71)	177.8 (7.00)
386306416		386307616	16	199.1 (7.84)	166.70 (6.563)	181.6 (7.15)	189.0 (7.44)

SEE SHEET ONE EC NO: WNA2009-0085 DRAWN: JENGLINS 2008/11/25 CHKD: CLORE 2008/12/15 APPR: J.MAGNELL 2008/12/15 DESCRIPTION REV:	QUALITY SYMBOLS	GENERAL TOLERANCES (UNLESS SPECIFIED)		DIMENSION STYLE		SCALE	DESIGN UNITS	THIRD ANGLE PROJECTION
	$\nabla=0$ $\nabla=0$			MM/IN		2:1	INCH	
				DRAWN BY DATE		TITLE		
				CHECKED BY DATE		11.13/438" PCB BTS 600V MTG ENDS, STD LENGTH (63A5XX)		
				APPROVED BY DATE		MATERIAL NO. DOCUMENT NO. SHEET NO.		
				P. WALTZ 2003/03/28		SEE CHART SD-38630-007 2 OF 2		
		DRAFT WHERE APPLICABLE MUST REMAIN WITHIN DIMENSIONS		THIS DRAWING CONTAINS INFORMATION THAT IS PROPRIETARY TO MOLEX INCORPORATED AND SHOULD NOT BE USED WITHOUT WRITTEN PERMISSION				

9 8 7 6 5 4 3 2 1