



Distributor of Molex Connector Corporation: Excellent Integrated System Limited
Datasheet of 0386307615 - Connector Barrier Block Strip 15 Circuit 0.438" (11.12mm)

Contact us: sales@integrated-circuit.com Website: www.integrated-circuit.com

Excellent Integrated System Limited

Stocking Distributor

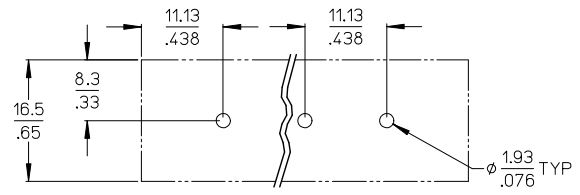
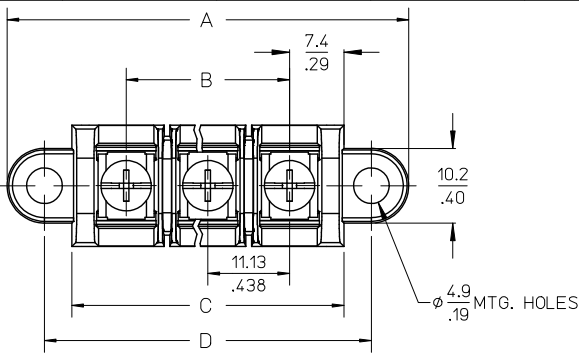
Click to view price, real time Inventory, Delivery & Lifecycle Information:

[Molex Connector Corporation](#)
[0386307615](#)

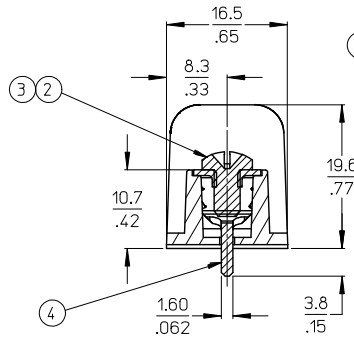
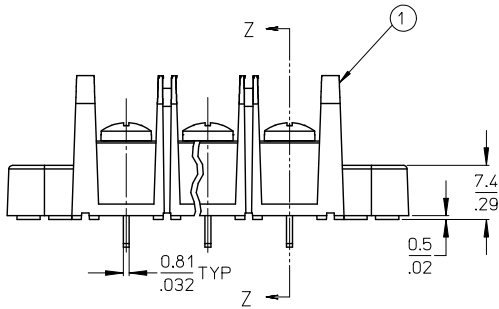
For any questions, you can email us directly:

sales@integrated-circuit.com

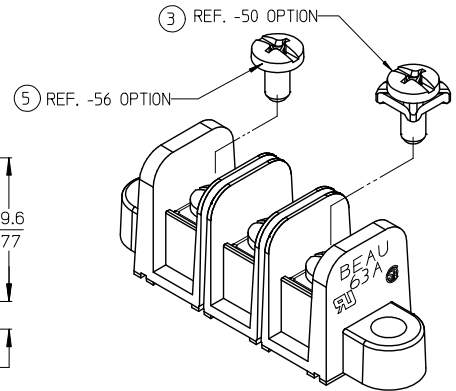
10 9 8 7 6 5 4 3 2 38630



RECOMMENDED PLATED THRU HOLE PATTERN



SECTION Z-Z



NOTES:

1. MATERIAL: SEE TABLE
2. FINISHES: SEE TABLE
3. *XX* REFERS TO QTY. OF CIRCUITS.
4. ASSEMBLY IS ROHS COMPLIANT.

(D)

ITEM	QTY.	DESCRIPTION	MATERIAL	FINISH
5	XX	SCREW #6-32X.250 BHD, PH-SL STAINLESS (-56 OPT)	STAINLESS STL	PASSIVATE
4	XX	TERMINAL, PC (SHORT)	BRASS	TIN PLATE
3	XX	SCREW/WSHR #6-32X.250 PAN, PH-SL (-50)	STEEL	ZN, CLEAR CHROMATE
2	XX	SCREW #6-32X.250 BHD, PH-SL (STD)	STEEL	ZN, CLEAR CHROMATE
1	1	BARRIER TERMINAL STRIP	POLYESTER (PBT)	BLACK

CHG SS SCREW DRIVE RECESS	QUALITY SYMBOLS
EC NO: IP52013-0364	▽=0
DATE: 2010/08/16	▽=0
DRWING: YORK	
CHKD: MAGNELL	
APPR: MAGNELL	
DATE: 2012/09/12	
DATE: 2012/11/05	
DESCRIPTION	
REV	

GENERAL TOLERANCES (UNLESS SPECIFIED)	
	MM/IN
4 PLACES	± .005 / ± .0005
3 PLACES	± .01 / ± .001
2 PLACES	± .013 / ± .0013
1 PLACE	± .03 / ± .003
ANGULAR ± 2°	

DIMENSION STYLE	SCALE	DESIGN UNITS	THIRD ANGLE PROJECTION
MM/IN	2:1	INCH	

DRAWN BY	DATE	TITLE	
R. STONE	2003/03/25	11.13/438" PCB BTS 600V	
CHECKED BY	DATE	MTG ENDS, STD LENGTH	
R. KEMP	2003/03/27	(63A5XX)	
APPROVED BY	DATE	Molex	MOLEX INCORPORATED
P. WALTZ	2003/03/28	SD-38630-007	
MATERIAL NO.	DOCUMENT NO.		SHEET NO.
SEE CHART			1 OF 2

THIS DRAWING CONTAINS INFORMATION THAT IS PROPRIETARY TO MOLEX INCORPORATED AND SHOULD NOT BE USED WITHOUT WRITTEN PERMISSION

10 9 8 7 6 5 4 3 2 38630

MATERIAL NUMBER (STD.)	MATERIAL NUMBER (-56)	MATERIAL NUMBER (-50)	NO. OF CIRCUITS	A	B	C	D
386306402	386390093	386307602	2	43.4 (1.71)	111.3 (4.38)	25.9 (1.02)	33.3 (1.31)
386306403	386390094	386307603	3	54.6 (2.15)	22.22 (0.875)	37.1 (1.46)	44.5 (1.75)
386306404	386390095	386307604	4	65.7 (2.59)	33.35 (1.313)	48.3 (1.90)	55.6 (2.19)
386306405	386390096	386307605	5	76.7 (3.02)	44.45 (1.750)	59.2 (2.33)	66.5 (2.62)
386306406	386390097	386307606	6	87.9 (3.46)	55.57 (2.188)	70.4 (2.77)	77.7 (3.06)
386306407	386390098	386307607	7	99.1 (3.90)	66.67 (2.625)	81.5 (3.21)	88.9 (3.50)
386306408	386390099	386307608	8	110.2 (4.34)	77.80 (3.063)	92.7 (3.65)	100.0 (3.94)
386306409	386390100	386307609	9	121.2 (4.77)	88.90 (3.500)	103.6 (4.08)	111.0 (4.37)
386306410	386390101	386307610	10	132.3 (5.21)	100.03 (3.938)	114.8 (4.52)	122.2 (4.81)
386306411	386390102	386307611	11	143.5 (5.65)	111.13 (4.375)	125.9 (4.96)	133.4 (5.25)
386306412	386390103	386307612	12	154.7 (6.09)	122.25 (4.813)	137.2 (5.40)	144.5 (5.69)
386306413	386390104	386307613	13	165.6 (6.52)	133.35 (5.250)	148.1 (5.83)	155.4 (6.12)
386306414		386307614	14	176.8 (6.96)	144.45 (5.687)	159.3 (6.27)	166.6 (6.56)
386306415		386307615	15	188.0 (7.40)	155.58 (6.125)	170.4 (6.71)	177.8 (7.00)
386306416		386307616	16	199.1 (7.84)	166.70 (6.563)	181.6 (7.15)	189.0 (7.44)

SEE SHEET ONE FCC NO: WNA2009-0085 DRAWN: JENGLINS 2008/11/25 CHKD: CLORE 2008/12/15 APPR: J.MAGNELL 2008/12/15 DESCRIPTION	QUALITY SYMBOLS	GENERAL TOLERANCES (UNLESS SPECIFIED) <table border="1"> <tr><th colspan="2">mm</th><th colspan="2">INCH</th></tr> <tr><td>4 PLACES</td><td>± .005</td><td>± .005</td><td>± .005</td></tr> <tr><td>3 PLACES</td><td>± .005</td><td>± .005</td><td>± .005</td></tr> <tr><td>2 PLACES</td><td>± .013</td><td>± .01</td><td>± .01</td></tr> <tr><td>1 PLACE</td><td>± .03</td><td>± .01</td><td>± .01</td></tr> </table> ANGULAR ± 2°	mm		INCH		4 PLACES	± .005	± .005	± .005	3 PLACES	± .005	± .005	± .005	2 PLACES	± .013	± .01	± .01	1 PLACE	± .03	± .01	± .01	DIMENSION STYLE MM/IN DRAWN BY: R. STONE DATE: 2003/03/25 CHECKED BY: R. KEMP DATE: 2003/03/27 APPROVED BY: P. WALTZ DATE: 2003/03/28	SCALE 2:1 DESIGN UNITS INCH THIRD ANGLE PROJECTION	TITLE 11.13/438" PCB BTS 600V MTG ENDS, STD LENGTH (63A5XX)
	mm		INCH																						
	4 PLACES		± .005	± .005	± .005																				
	3 PLACES		± .005	± .005	± .005																				
2 PLACES	± .013	± .01	± .01																						
1 PLACE	± .03	± .01	± .01																						
DRAFT WHERE APPLICABLE MUST REMAIN WITHIN DIMENSIONS	MATERIAL NO. SEE CHART	MOLEX INCORPORATED SD-38630-007	SHEET NO. 2 OF 2																						
THIS DRAWING CONTAINS INFORMATION THAT IS PROPRIETARY TO MOLEX INCORPORATED AND SHOULD NOT BE USED WITHOUT WRITTEN PERMISSION																									
SIZE B																									

9 8 7 6 5 4 3 2 1