



**Distributor of Molex Connector Corporation: Excellent Integrated System Limited**  
Datasheet of 0386907810 - Connector Barrier Block Strip 10 Circuit 0.325" (8.26mm)

Contact us: [sales@integrated-circuit.com](mailto:sales@integrated-circuit.com) Website: [www.integrated-circuit.com](http://www.integrated-circuit.com)

---

## **Excellent Integrated System Limited**

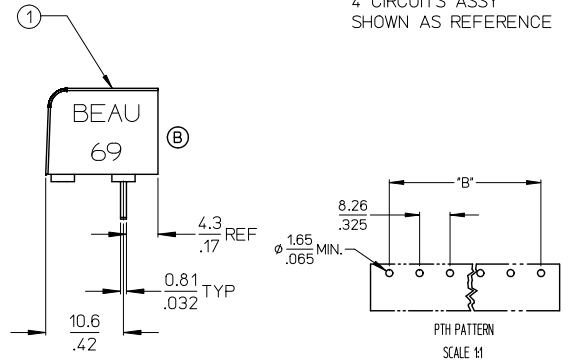
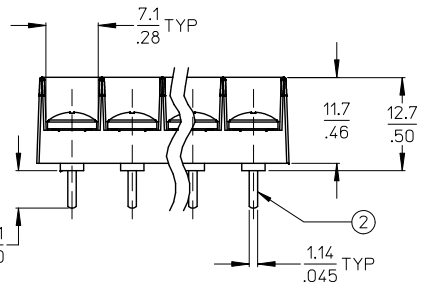
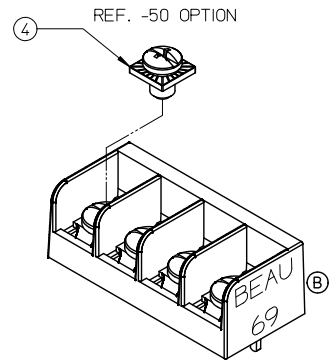
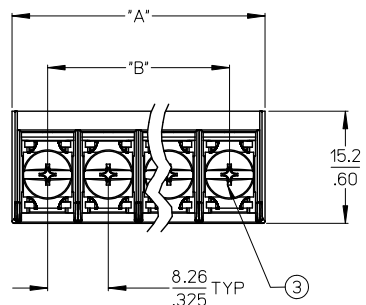
Stocking Distributor

Click to view price, real time Inventory, Delivery & Lifecycle Information:

[Molex Connector Corporation](#)  
[0386907810](#)

For any questions, you can email us directly:  
[sales@integrated-circuit.com](mailto:sales@integrated-circuit.com)

	10	9	8	7	6	5	4	3	2	38690	
	NO. OF CIRCUITS	DIM. 'A' mm	DIM. 'A' in	DIM. 'B' mm	DIM. 'B' in	ASSEMBLY MATERIAL NO. (STANDARD)	ASSEMBLY MATERIAL NO. (-50 OPT)				
F	02	17.9	.71	8.3	.33	386906602	386907802				
	03	26.2	1.03	16.5	.65	386906603	386907803				
	04	34.4	1.36	24.8	.98	386906604	386907804				
	05	42.7	1.68	33.0	1.30	386906605	386907805				
	06	50.9	2.01	41.3	1.63	386906606	386907806				
	07	59.2	2.33	49.5	1.95	386906607	386907807				
	08	67.4	2.66	57.8	2.28	386906608	386907808				
	09	75.7	2.98	66.0	2.60	386906609	386907809				
E	10	83.9	3.31	74.3	2.93	386906610	386907810				
	11	92.2	3.63	82.6	3.25	386906611	386907811				
	12	100.5	3.96	90.8	3.58	386906612	386907812				
	13	108.7	4.28	99.1	3.90	386906613	386907813				
	14	117.0	4.61	107.3	4.23	386906614	386907814				
	15	125.2	4.93	115.6	4.55	386906615	386907815				
	16	133.5	5.26	123.8	4.88	386906616	386907816				
	17	141.7	5.58	132.1	5.20	386906617	386907817				
D	18	150.0	5.91	140.3	5.53	386906618	386907818				
	19	158.2	6.23	148.6	5.85	386906619	386907819				
	20	166.5	6.56	156.8	6.18	386906620	386907820				
	21	174.8	6.88	165.1	6.50	386906621	386907821				
	22	183.0	7.21	173.4	6.83	386906622	386907822				
	23	191.3	7.53	181.6	7.15	386906623	386907823				
	24	199.5	7.86	189.9	7.48	386906624	386907824				
C	25	207.8	8.18	198.1	7.80	386906625	386907825				
	26	216.0	8.51	206.4	8.13	386906626	386907826				
	27	224.3	8.83	214.6	8.45	386906627	386907827				
	28	232.5	9.16	222.9	8.78	386906628	386907828				
	29	240.8	9.48	231.1	9.10	386906629	386907829				
	30	249.0	9.81	239.4	9.43	386906630	386907830				
	31	257.3	10.13	247.7	9.75	386906631	386907831				
B	32	265.6	10.46	255.9	10.08	386906632	386907832				



NOTES:  
 1. MATERIAL: SEE TABLE  
 2. FINISHES: SEE TABLE.  
 3. "XX" REFERS TO THE QUANTITY OF CIRCUITS.  
 4. ROHS COMPLIANT.

QTY.	DESCRIPTION	MATERIAL	FINISH
4	SCREW #6-32X.155 PAN PHSLZN/BR/STEEL -50 OPT	STEEL	ZN. CLEAR CHROMATE
3	SCREW #6-32X.160 PAN PHSLN/BRASS (STANDARD)	BRASS	NICKEL PLATE
2	TERMINAL, PC	BRASS	TIN PLATE
1	INSULATOR	POLYESTER (PBT)	BLACK

REMOVE "USA" E.C. NO: IP522012-0967 DRAWN: JENC INAS 2012/05/27 CHKD: JMACNE IL 2012/05/31 APPR: JMACNE IL 2012/06/01	QUALITY SYMBOLS ▽=0 ▽=0	GENERAL TOLERANCES (UNLESS SPECIFIED)		DIMENSION STYLE MM/IN		SCALE 2:1	DESIGN UNITS INCH	THIRD ANGLE PROJECTION
		4 PLACES ± .005 3 PLACES ± .005 2 PLACES ± .01 1 PLACE ± .03 ANGULAR ± 2°	mm INCH ± .005 ± .005 ± .01 ± .01 ± .03 ± .03	DRAWN BY AHIDALGO CHECKED BY JENC INAS APPROVED BY JMACNE IL	DATE 2007/04/02 DATE 2007/04/02 DATE 2012/06/01	TITLE 8.26/.325 SR TRI-BARRIER TERMINAL STRIP CS, PC ASSY		MOLEX INCORPORATED
DRAFT WHERE APPLICABLE MUST REMAIN WITHIN DIMENSIONS		SEE CHART		MATERIAL NO. SD-38690-001		THIS DRAWING CONTAINS INFORMATION THAT IS PROPRIETARY TO MOLEX INCORPORATED AND SHOULD NOT BE USED WITHOUT WRITTEN PERMISSION		