



Distributor of Molex Connector Corporation: Excellent Integrated System Limited
Datasheet of 0387006317 - Connector Barrier Block Strip 17 Circuit 0.325" (8.26mm)

Contact us: sales@integrated-circuit.com Website: www.integrated-circuit.com

Excellent Integrated System Limited

Stocking Distributor

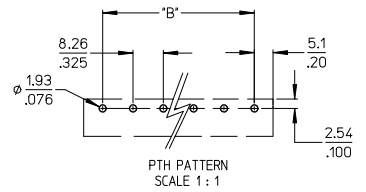
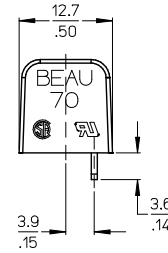
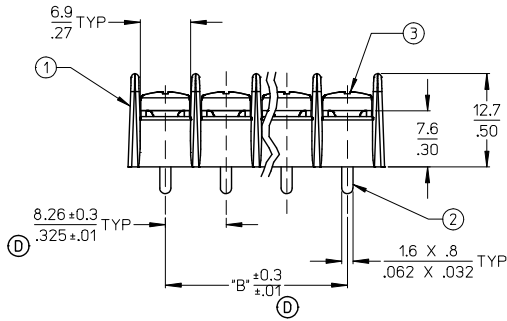
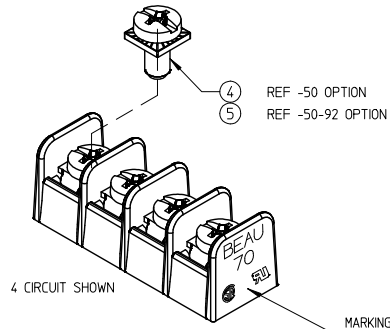
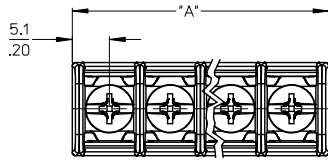
Click to view price, real time Inventory, Delivery & Lifecycle Information:

[Molex Connector Corporation](#)
[0387006317](#)

For any questions, you can email us directly:

sales@integrated-circuit.com

10 9 8 7 6 5 4 3 2 38700



- NOTES:
1. MATERIAL: SEE TABLE.
 2. FINISHES: SEE TABLE.
 3. 'XX' REFERS TO THE QUANTITY OF CIRCUITS POSITIONS.
 4. MATERIAL NUMBER 387090319 IS THE SAME AS MATERIAL NUMBER 387007516, EXCEPT BY THE SPECIAL PACKING.
 5. ROHS COMPLIANT

| | | | | | | | | | | | | | | |
|------|-----|-------------|---|-----------------|--------------------|--|-------------------------------|---------------------------------------|---------------------|-----------------|--------------|--|------------------------|------------------------|
| 5 | | 'XX' | SCREW, #6-32, PAN HD, PH-SL, W/SQ WSHR (-50-92) | STEEL | ZN, NOKROM COATING | REVISE & REDRAWN EC NO: IP62014-0471 DRAWN: JENICINS 2014/01/14 CHKD: JAGNEIL 2014/01/21 APPR: JAGNEIL | QUALITY SYMBOLS ▽=0 ▽=0 | GENERAL TOLERANCES (UNLESS SPECIFIED) | | DIMENSION STYLE | | SCALE | DESIGN UNITS | THIRD ANGLE PROJECTION |
| 4 | | 'XX' | SCREW, #6-32, PAN HD, PH-SL, W/SQ WSHR (-50) | STEEL | ZN, CLEAR CHROMATE | | | mm | INCH | MM/IN | 2:1 | INCH | THIRD ANGLE PROJECTION | |
| 3 | | 'XX' | SCREW, #6-32, PAN HD, PH-SL (STANDARD) | STEEL | ZN, CLEAR CHROMATE | | | 4 PLACES ± .005 | 3 PLACES ± .005 | DRAWN BY | DATE | TITLE | | |
| 2 | | 'XX' | TERMINAL | BRASS | TIN | | | 2 PLACES ± 0.13 ± .01 | 1 PLACE ± 0.3 ± .01 | R. KEMP | 2003/07/16 | 8.26/.325 SR BTS ASSY, PC, NO MTG ENDS | | |
| 1 | | 1 | BARRIER | POLYESTER (PBT) | BLACK | | | ANGULAR ± 2° | | CHECKED BY | DATE | MOLEX INCORPORATED | | |
| ITEM | QTY | DESCRIPTION | | MATERIAL | FINISH | DRAFT WHERE APPLICABLE MUST REMAIN WITHIN DIMENSIONS | | APPROVED BY | DATE | MATERIAL NO. | DOCUMENT NO. | SHEET NO. | | |
| | | | | | | | | P. WALTZ | 2003/07/17 | SEE CHART | SD-38700-001 | 1 OF 2 | | |

9 8 7 6 5 4 3 2 1

THIS DRAWING CONTAINS INFORMATION THAT IS PROPRIETARY TO MOLEX INCORPORATED AND SHOULD NOT BE USED WITHOUT WRITTEN PERMISSION

10 9 8 7 6 5 4 3 2 38700

| NUMBER OF CIRCUITS "XX" | DIM "A" mm | "A" in | DIM "B" mm | "B" in | STANDARD MATERIAL NO. | -50 OPTION MATERIAL NO. | -50-92 OPTION MATERIAL NO. |
|-------------------------|------------|--------|------------|--------|-----------------------|-------------------------|----------------------------|
| 01 | 10.2 | .40 | - | - | 387006301 | 387007501 | - |
| 02 | 18.4 | .73 | 8.26 | .325 | 387006302 | 387007502 | 387090370 |
| 03 | 26.7 | 1.05 | 16.51 | .650 | 387006303 | 387007503 | - |
| 04 | 34.9 | 1.38 | 24.77 | .975 | 387006304 | 387007504 | - |
| 05 | 43.2 | 1.70 | 33.02 | 1.300 | 387006305 | 387007505 | - |
| 06 | 51.4 | 2.03 | 41.28 | 1.625 | 387006306 | 387007506 | - |
| 07 | 59.7 | 2.35 | 49.53 | 1.950 | 387006307 | 387007507 | - |
| 08 | 67.9 | 2.68 | 57.79 | 2.275 | 387006308 | 387007508 | 387090371 |
| 09 | 76.2 | 3.00 | 66.04 | 2.600 | 387006309 | 387007509 | - |
| 10 | 84.5 | 3.33 | 74.30 | 2.925 | 387006310 | 387007510 | - |
| 11 | 92.7 | 3.65 | 82.55 | 3.250 | 387006311 | 387007511 | - |
| 12 | 101.0 | 3.98 | 90.81 | 3.575 | 387006312 | 387007512 | - |
| 13 | 109.2 | 4.30 | 99.06 | 3.900 | 387006313 | 387007513 | - |
| 14 | 117.5 | 4.63 | 107.32 | 4.225 | 387006314 | 387007514 | - |
| 15 | 125.7 | 4.95 | 115.57 | 4.550 | 387006315 | 387007515 | - |
| 16 | 134.0 | 5.28 | 123.83 | 4.875 | 387006316 | 387007516 | 387090368 |
| 17 | 142.2 | 5.60 | 132.80 | 5.200 | 387006317 | 387007517 | - |
| 18 | 150.5 | 5.93 | 140.34 | 5.525 | 387006318 | 387007518 | - |
| 19 | 158.8 | 6.25 | 148.59 | 5.850 | 387006319 | 387007519 | - |
| 20 | 167.0 | 6.58 | 156.85 | 6.175 | 387006320 | 387007520 | - |
| 21 | 175.3 | 6.90 | 165.10 | 6.500 | 387006321 | 387007521 | - |
| 22 | 183.5 | 7.23 | 173.36 | 6.825 | 387006322 | 387007522 | - |
| 23 | 191.8 | 7.55 | 181.61 | 7.150 | 387006323 | 387007523 | - |
| 24 | 200.0 | 7.88 | 189.87 | 7.475 | 387006324 | 387007524 | 387090372 |
| 25 | 208.3 | 8.20 | 198.12 | 7.800 | 387006325 | 387007525 | - |
| 26 | 216.5 | 8.53 | 206.38 | 8.125 | 387006326 | 387007526 | - |
| 27 | 224.8 | 8.85 | 214.63 | 8.450 | 387006327 | 387007527 | - |
| 28 | 233.0 | 9.18 | 222.89 | 8.775 | 387006328 | 387007528 | - |
| 29 | 241.3 | 9.50 | 231.14 | 9.100 | 387006329 | 387007529 | - |
| 30 | 249.6 | 9.83 | 239.40 | 9.425 | 387006330 | 387007530 | 387090373 |

MAT. #387090319 IS THE SAME AS 387007516 (SEE NOTE 4, SHEET #1)

| | | | | | | | | | | | | | | | | | | |
|---|--|--|--------|---------|------|----------|--------|---------|----------|-------|--------|----------|--------|-------|---------|-------|-------|--|
| SEE SHEET 1 EC NO: PG2014-0471 DRAWN: ENCINS CHKD: APPRE: MACNEIL 2014/01/15 2014/01/21 DESCRIPTION | QUALITY SYMBOLS | GENERAL TOLERANCES (UNLESS SPECIFIED) <table border="1"> <tr><td></td><td>mm</td><td>INCH</td></tr> <tr><td>4 PLACES</td><td>± .005</td><td>± .0005</td></tr> <tr><td>3 PLACES</td><td>± .01</td><td>± .001</td></tr> <tr><td>2 PLACES</td><td>± 0.13</td><td>± .01</td></tr> <tr><td>1 PLACE</td><td>± 0.3</td><td>± .01</td></tr> </table> ANGULAR ± 2° DRAFT WHERE APPLICABLE MUST REMAIN WITHIN DIMENSIONS | | mm | INCH | 4 PLACES | ± .005 | ± .0005 | 3 PLACES | ± .01 | ± .001 | 2 PLACES | ± 0.13 | ± .01 | 1 PLACE | ± 0.3 | ± .01 | DIMENSION STYLE MM/IN SCALE 2:1 DESIGN UNITS INCH THIRD ANGLE PROJECTION |
| | | | mm | INCH | | | | | | | | | | | | | | |
| | 4 PLACES | | ± .005 | ± .0005 | | | | | | | | | | | | | | |
| | 3 PLACES | | ± .01 | ± .001 | | | | | | | | | | | | | | |
| 2 PLACES | ± 0.13 | ± .01 | | | | | | | | | | | | | | | | |
| 1 PLACE | ± 0.3 | ± .01 | | | | | | | | | | | | | | | | |
| DRAWN BY R. KEMP CHECKED BY R. STONE APPROVED BY P. WALTZ DATE 2003/07/16 DATE 2003/07/16 DATE 2003/07/17 | TITLE 8.26/.325 SR BTS ASSY, PC, NO MTG ENDS | | | | | | | | | | | | | | | | | |
| MATERIAL NO. SEE CHART DOCUMENT NO. SD-38700-001 | MOLEX INCORPORATED SHEET NO. 2 OF 2 | | | | | | | | | | | | | | | | | |
| THIS DRAWING CONTAINS INFORMATION THAT IS PROPRIETARY TO MOLEX INCORPORATED AND SHOULD NOT BE USED WITHOUT WRITTEN PERMISSION | | | | | | | | | | | | | | | | | | |

9 8 7 6 5 4 3 2 1