



Distributor of Molex Connector Corporation: Excellent Integrated System Limited
Datasheet of 0387006319 - Connector Barrier Block Strip 19 Circuit 0.325" (8.26mm)

Contact us: sales@integrated-circuit.com Website: www.integrated-circuit.com

Excellent Integrated System Limited

Stocking Distributor

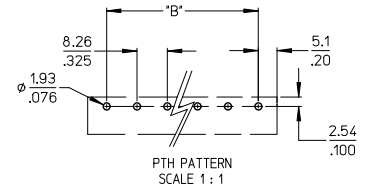
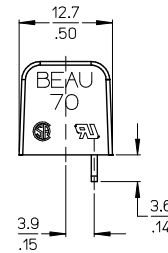
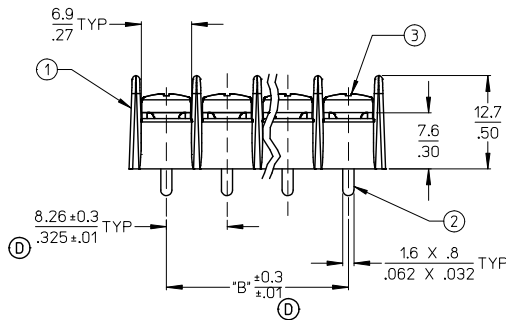
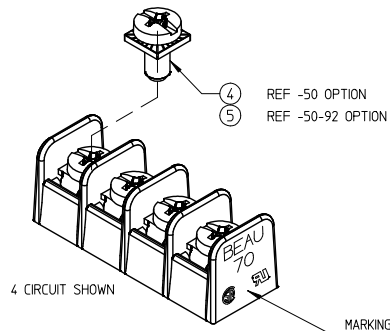
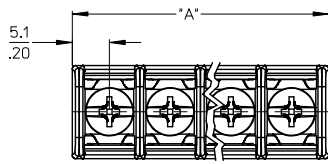
Click to view price, real time Inventory, Delivery & Lifecycle Information:

[Molex Connector Corporation](#)
[0387006319](#)

For any questions, you can email us directly:

sales@integrated-circuit.com

10 9 8 7 6 5 4 3 2 38700



- NOTES:
 1. MATERIAL: SEE TABLE.
 2. FINISHES: SEE TABLE.
 3. 'XX' REFERS TO THE QUANTITY OF CIRCUITS POSITIONS.
 4. MATERIAL NUMBER 387090319 IS THE SAME AS MATERIAL NUMBER 387007516, EXCEPT BY THE SPECIAL PACKING.
 5. ROHS COMPLIANT

ITEM	QTY	DESCRIPTION	MATERIAL	FINISH	REVISE & REDRAWN EC NO: IP52014-0471 DRAWN: JENICINS 2014/01/14 CHKD: JAGNEIL 2014/01/21 APPR: JAGNEIL	DESCRIPTION	QUALITY SYMBOLS ▽=0 ▽=0	GENERAL TOLERANCES (UNLESS SPECIFIED)		DIMENSION STYLE		SCALE	DESIGN UNITS	THIRD ANGLE PROJECTION	
								mm	INCH	MM/IN	MM/IN				
5	'XX'	SCREW, #6-32, PAN HD, PH-SL, W/SQ WSHR (-50-92)	STEEL	ZN, NOKROM COATING				4 PLACES	± .005	± .005	MM/IN	2:1	INCH		
4	'XX'	SCREW, #6-32, PAN HD, PH-SL, W/SQ WSHR (-50)	STEEL	ZN, CLEAR CHROMATE				3 PLACES	± .01	± .01	MM/IN	2:1	INCH		
3	'XX'	SCREW, #6-32, PAN HD, PH-SL (STANDARD)	STEEL	ZN, CLEAR CHROMATE				2 PLACES	± 0.13	± .01	MM/IN	2:1	INCH		
2	'XX'	TERMINAL	BRASS	TIN				1 PLACE	± 0.3	± .01	MM/IN	2:1	INCH		
1	1	BARRIER	POLYESTER (PBT)	BLACK							MM/IN	2:1	INCH		
DRAFT WHERE APPLICABLE MUST REMAIN WITHIN DIMENSIONS								ANGULAR ± 2°		DRAWN BY R. KEMP DATE 2003/07/16		CHECKED BY R. STONE DATE 2003/07/16		APPROVED BY P. WALTZ DATE 2003/07/17	
MATERIAL NO. SEE CHART								DOCUMENT NO. SD-38700-001		MATERIAL NO. SEE CHART		DOCUMENT NO. SD-38700-001		SHEET NO. 1 OF 2	
THIS DRAWING CONTAINS INFORMATION THAT IS PROPRIETARY TO MOLEX INCORPORATED AND SHOULD NOT BE USED WITHOUT WRITTEN PERMISSION															

9 8 7 6 5 4 3 2 1

10 9 8 7 6 5 4 3 2 38700

NUMBER OF CIRCUITS "XX"	DIM "A"	DIM "B"	STANDARD MATERIAL NO.	-50 OPTION MATERIAL NO.	-50-92 OPTION MATERIAL NO.
	mm in	mm in			
01	10.2	.40	-	-	-
02	18.4	.73	8.26	.325	387006302 387007502 387090370
03	26.7	1.05	16.51	.650	387006303 387007503 -
04	34.9	1.38	24.77	.975	387006304 387007504 -
05	43.2	1.70	33.02	1.300	387006305 387007505 -
06	51.4	2.03	41.28	1.625	387006306 387007506 -
07	59.7	2.35	49.53	1.950	387006307 387007507 -
08	67.9	2.68	57.79	2.275	387006308 387007508 387090371
09	76.2	3.00	66.04	2.600	387006309 387007509 -
10	84.5	3.33	74.30	2.925	387006310 387007510 -
11	92.7	3.65	82.55	3.250	387006311 387007511 -
12	101.0	3.98	90.81	3.575	387006312 387007512 -
13	109.2	4.30	99.06	3.900	387006313 387007513 -
14	117.5	4.63	107.32	4.225	387006314 387007514 -
15	125.7	4.95	115.57	4.550	387006315 387007515 -
16	134.0	5.28	123.83	4.875	387006316 387007516 387090368
17	142.2	5.60	132.80	5.200	387006317 387007517 -
18	150.5	5.93	140.34	5.525	387006318 387007518 -
19	158.8	6.25	148.59	5.850	387006319 387007519 -
20	167.0	6.58	156.85	6.175	387006320 387007520 -
21	175.3	6.90	165.10	6.500	387006321 387007521 -
22	183.5	7.23	173.36	6.825	387006322 387007522 -
23	191.8	7.55	181.61	7.150	387006323 387007523 -
24	200.0	7.88	189.87	7.475	387006324 387007524 387090372
25	208.3	8.20	198.12	7.800	387006325 387007525 -
26	216.5	8.53	206.38	8.125	387006326 387007526 -
27	224.8	8.85	214.63	8.450	387006327 387007527 -
28	233.0	9.18	222.89	8.775	387006328 387007528 -
29	241.3	9.50	231.14	9.100	387006329 387007529 -
30	249.6	9.83	239.40	9.425	387006330 387007530 387090373

MAT. #387090319 IS THE SAME AS 387007516 (SEE NOTE 4, SHEET #1)

SEE SHEET 1 EC NO: PG2014-0471 DRAWN: ENCINS CHKD: APPRE: MACNEIL 2014/01/15 2014/01/21 REV	QUALITY SYMBOLS ▽=0 ▽=0	GENERAL TOLERANCES (UNLESS SPECIFIED)		DIMENSION STYLE		SCALE	DESIGN UNITS	THIRD ANGLE PROJECTION	
				MM/IN		2:1	INCH		
		4 PLACES ± .005	± .005	DRAWN BY	DATE	TITLE 8.26/.325 SR BTS ASSY, PC, NO MTG ENDS			
		3 PLACES ± .01	± .01	R. KEMP	2003/07/16				
2 PLACES ± 0.13	± .01	CHECKED BY	DATE	MOLEX INCORPORATED MATERIAL NO. SD-38700-001 SHEET NO. 2 OF 2					
1 PLACE ± 0.3	± .01	R. STONE	2003/07/16						
ANGULAR ± 2°		APPROVED BY	DATE						
DRAFT WHERE APPLICABLE MUST REMAIN WITHIN DIMENSIONS		P. WALTZ	2003/07/17						
		SEE CHART							
		THIS DRAWING CONTAINS INFORMATION THAT IS PROPRIETARY TO MOLEX INCORPORATED AND SHOULD NOT BE USED WITHOUT WRITTEN PERMISSION							

9 8 7 6 5 4 3 2 1