



Distributor of Molex Connector Corporation: Excellent Integrated System Limited
Datasheet of 0387007320 - Connector Barrier Block Strip 20 Circuit 0.325" (8.26mm)

Contact us: sales@integrated-circuit.com Website: www.integrated-circuit.com

Excellent Integrated System Limited

Stocking Distributor

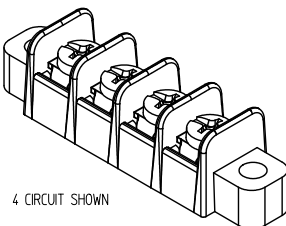
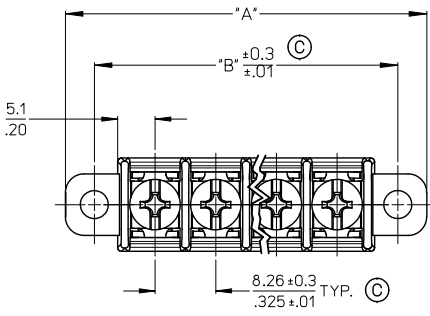
Click to view price, real time Inventory, Delivery & Lifecycle Information:

[Molex Connector Corporation](#)
[0387007320](#)

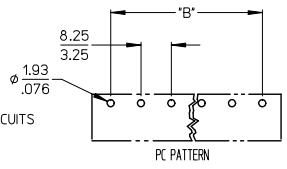
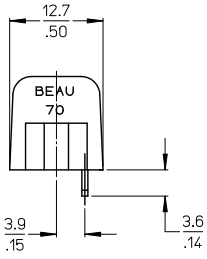
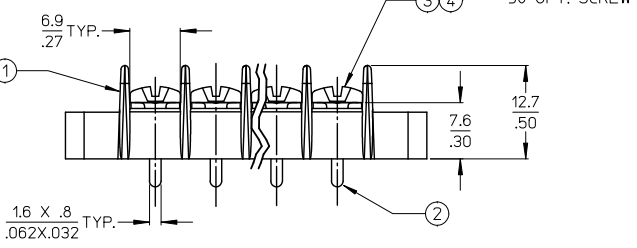
For any questions, you can email us directly:

sales@integrated-circuit.com

10 9 8 7 6 5 4 3 2 1



NO. OF CIRCUITS	DIM. 'A'		DIM. 'B'		ASSEMBLY MATERIAL NO. (STANDARD)	ASSEMBLY MATERIAL NO. (-50 OPT)
	mm	in	mm	in		
02	32.7	1.29	24.78	.976	387006102	387007302
03	40.9	1.61	33.04	1.301	387006103	387007303
04	49.2	1.94	41.30	1.626	387006104	387007304
05	57.4	2.26	49.56	1.951	387006105	387007305
06	65.7	2.59	57.82	2.276	387006106	387007306
07	74.0	2.91	66.08	2.602	387006107	387007307
08	82.2	3.24	74.34	2.927	387006108	387007308
09	90.5	3.56	82.60	3.252	387006109	387007309
10	98.7	3.89	90.86	3.577	387006110	387007310
11	107.0	4.21	99.12	3.902	387006111	387007311
12	115.3	4.54	107.38	4.228	387006112	387007312
13	123.5	4.86	115.64	4.553	387006113	387007313
14	131.8	5.19	123.90	4.878	387006114	387007314
15	140.0	5.51	132.16	5.203	387006115	387007315
16	148.3	5.84	140.42	5.528	387006116	387007316
17	156.6	6.16	148.68	5.854	387006117	387007317
18	164.8	6.49	156.94	6.179	387006118	387007318
19	173.1	6.81	165.20	6.504	387006119	387007319
20	181.3	7.14	173.46	6.829	387006120	387007320
21	189.6	7.46	181.72	7.154	387006121	387007321
22	197.9	7.79	189.98	7.480	387006122	387007322
23	206.1	8.11	198.24	7.805	387006123	387007323
24	214.4	8.44	206.50	8.130	387006124	387007324
25	222.6	8.77	214.76	8.455	387006125	387007325
26	230.9	9.09	223.02	8.780	387006126	387007326
27	239.2	9.42	231.28	9.106	387006127	387007327
28	247.4	9.74	239.54	9.431	387006128	387007328
29	255.7	10.07	247.80	9.756	387006129	387007329
30	263.9	10.39	256.06	10.081	387006130	387007330



- NOTES:
1. MATERIAL: SEE TABLE
 2. FINISHES: SEE TABLE
 3. "XX" REFERS TO THE NUMBER OF CIRCUITS
 4. ROHS COMPLIANT

ITEM	QTY.	DESCRIPTION	MATERIAL	FINISH
4	"XX"	SCREW #6-32 PAN HD, PHSL, W/SO WASHER (-50 OPT)	STEEL	ZN, CLEAR CHROMATE
3	"XX"	SCREW #6-32 PAN HD, PHSL (STANDARD)	STEEL	ZN, CLEAR CHROMATE
2	"XX"	TERMINAL	BRASS	TIN
1	1	BARRIER	THERMOPLASTIC	BLACK

REV	DESCRIPTION
1	REDRAWN, UPDATE TOLERANCE EC NO: IPG2012-0886 DRAWN: JENCLINS 2012/05/09 CHKD: JACQUELINE APPR: JACQUELINE 2012/05/15

QUALITY SYMBOLS

GENERAL TOLERANCES (UNLESS SPECIFIED)	
	MM/IN
4 PLACES	± .005 / ± .0005
3 PLACES	± .01 / ± .001
2 PLACES	± 0.13 / ± .01
1 PLACE	± 0.3 / ± .01
ANGULAR ± 2°	

DIMENSION STYLE	
MM/IN	
DRAWN BY	ASAYDEH
DATE	10/21/05
CHECKED BY	RDEROSS
DATE	10/21/05
APPROVED BY	ROBEROSSL
DATE	2010/03/05

SCALE	DESIGN UNITS	THIRD ANGLE PROJECTION
2:1	INCH	
TITLE 8.26/.325 SR BTS ASSY, PC TAIL, WITH MTG ENDS		
MATERIAL NO. SEE CHART		DOCUMENT NO. SD-38700-002
SIZE B		THIS DRAWING CONTAINS INFORMATION THAT IS PROPRIETARY TO MOLEX INCORPORATED AND SHOULD NOT BE USED WITHOUT WRITTEN PERMISSION
		SHEET NO. 1 OF 1

9 8 7 6 5 4 3 2 1