



**Distributor of Molex Connector Corporation: Excellent Integrated System Limited**

Datasheet of 0387007501 - Connector Barrier Block Strip 1 Circuit

Contact us: [sales@integrated-circuit.com](mailto:sales@integrated-circuit.com) Website: [www.integrated-circuit.com](http://www.integrated-circuit.com)

---

## **Excellent Integrated System Limited**

Stocking Distributor

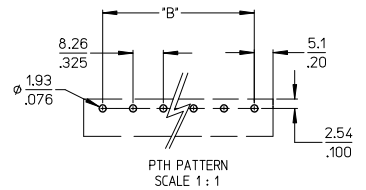
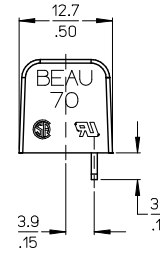
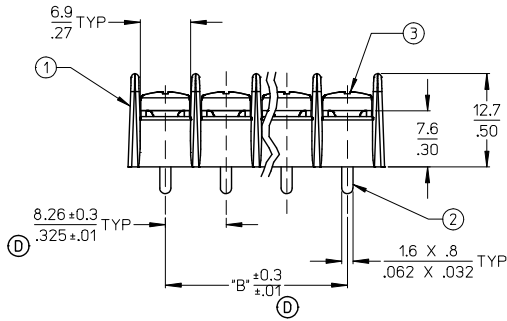
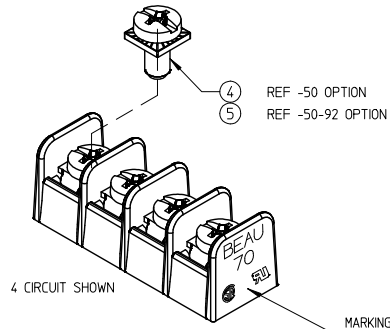
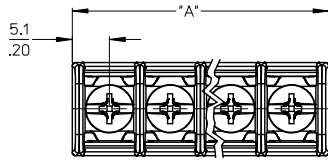
Click to view price, real time Inventory, Delivery & Lifecycle Information:

[Molex Connector Corporation](#)  
[0387007501](#)

For any questions, you can email us directly:

[sales@integrated-circuit.com](mailto:sales@integrated-circuit.com)

10 9 8 7 6 5 4 3 2 38700



- NOTES:  
 1. MATERIAL: SEE TABLE.  
 2. FINISHES: SEE TABLE.  
 3. 'XX' REFERS TO THE QUANTITY OF CIRCUITS POSITIONS.  
 4. MATERIAL NUMBER 387090319 IS THE SAME AS MATERIAL NUMBER 387007516, EXCEPT BY THE SPECIAL PACKING.  
 5. ROHS COMPLIANT

5	'XX'	SCREW, #6-32, PAN HD, PH-SL, W/SQ WSHR (-50-92)	STEEL	ZN, NOKROM COATING	REVISE & REDRAWN EC NO: IP52014-0471 DRAWN: JENICINS 2014/01/14 CHKD: JAGNEIL 2014/01/21 APPR: JAGNEIL	QUALITY SYMBOLS ▽=0 ▽=0	GENERAL TOLERANCES (UNLESS SPECIFIED) mm INCH 4 PLACES ± .005 ± .005 3 PLACES ± .01 ± .01 2 PLACES ± 0.13 ± .01 1 PLACE ± 0.3 ± .01 ANGULAR ± 2°	DIMENSION STYLE MM/IN DRAWN BY R. KEMP DATE 2003/07/16 CHECKED BY R. STONE DATE 2003/07/16 APPROVED BY P. WALTZ DATE 2003/07/17	SCALE 2:1 DESIGN UNITS INCH THIRD ANGLE PROJECTION	TITLE 8.26/.325 SR BTS ASSY, PC, NO MTG ENDS	MOLEX INCORPORATED	MATERIAL NO. SEE CHART DOCUMENT NO. SD-38700-001 SHEET NO. 1 OF 2
4	'XX'	SCREW, #6-32, PAN HD, PH-SL, W/SQ WSHR (-50)	STEEL	ZN, CLEAR CHROMATE								
3	'XX'	SCREW, #6-32, PAN HD, PH-SL (STANDARD)	STEEL	ZN, CLEAR CHROMATE								
2	'XX'	TERMINAL	BRASS	TIN								
1	1	BARRIER	POLYESTER (PBT)	BLACK								
ITEM	QTY	DESCRIPTION	MATERIAL	FINISH								

9 8 7 6 5 4 3 2 1

THIS DRAWING CONTAINS INFORMATION THAT IS PROPRIETARY TO MOLEX INCORPORATED AND SHOULD NOT BE USED WITHOUT WRITTEN PERMISSION

10 9 8 7 6 5 4 3 2 38700

NUMBER OF CIRCUITS "XX"	DIM "A"	DIM "B"	STANDARD MATERIAL NO.	-50 OPTION MATERIAL NO.	-50-92 OPTION MATERIAL NO.
	mm in	mm in			
01	10.2 .40	- -	387006301	387007501	-
02	18.4 .73	8.26 .325	387006302	387007502	387090370
03	26.7 1.05	16.51 .650	387006303	387007503	-
04	34.9 1.38	24.77 .975	387006304	387007504	-
05	43.2 1.70	33.02 1.300	387006305	387007505	-
06	51.4 2.03	41.28 1.625	387006306	387007506	-
07	59.7 2.35	49.53 1.950	387006307	387007507	-
08	67.9 2.68	57.79 2.275	387006308	387007508	387090371
09	76.2 3.00	66.04 2.600	387006309	387007509	-
10	84.5 3.33	74.30 2.925	387006310	387007510	-
11	92.7 3.65	82.55 3.250	387006311	387007511	-
12	101.0 3.98	90.81 3.575	387006312	387007512	-
13	109.2 4.30	99.06 3.900	387006313	387007513	-
14	117.5 4.63	107.32 4.225	387006314	387007514	-
15	125.7 4.95	115.57 4.550	387006315	387007515	-
16	134.0 5.28	123.83 4.875	387006316	387007516	387090368
17	142.2 5.60	132.80 5.200	387006317	387007517	-
18	150.5 5.93	140.34 5.525	387006318	387007518	-
19	158.8 6.25	148.59 5.850	387006319	387007519	-
20	167.0 6.58	156.85 6.175	387006320	387007520	-
21	175.3 6.90	165.10 6.500	387006321	387007521	-
22	183.5 7.23	173.36 6.825	387006322	387007522	-
23	191.8 7.55	181.61 7.150	387006323	387007523	-
24	200.0 7.88	189.87 7.475	387006324	387007524	387090372
25	208.3 8.20	198.12 7.800	387006325	387007525	-
26	216.5 8.53	206.38 8.125	387006326	387007526	-
27	224.8 8.85	214.63 8.450	387006327	387007527	-
28	233.0 9.18	222.89 8.775	387006328	387007528	-
29	241.3 9.50	231.14 9.100	387006329	387007529	-
30	249.6 9.83	239.40 9.425	387006330	387007530	387090373

MAT. #387090319 IS THE SAME AS 387007516 (SEE NOTE 4, SHEET #1)

SEE SHEET 1 EC NO: PG2014-0471 DRAWN: ENCINS CHKD: APPRE: MACNEIL 2014/01/15 2014/01/21 REV	QUALITY SYMBOLS ▽=0 ▽=0	GENERAL TOLERANCES (UNLESS SPECIFIED)		DIMENSION STYLE		SCALE	DESIGN UNITS	THIRD ANGLE PROJECTION	
				MM/IN		2:1	INCH		
		4 PLACES ± .005		DRAWN BY R. KEMP		DATE 2003/07/16		TITLE	
		3 PLACES ± .005		CHECKED BY R. STONE		DATE 2003/07/16		8.26/.325 SR BTS ASSY, PC, NO MTG ENDS	
2 PLACES ± 0.13		APPROVED BY P. WALTZ		DATE 2003/07/17		MOLEX INCORPORATED			
1 PLACE ± 0.3		ANGULAR ± 2°		MATERIAL NO.		DOCUMENT NO.			
DRAFT WHERE APPLICABLE MUST REMAIN WITHIN DIMENSIONS		SEE CHART		SD-38700-001		SHEET NO. 2 OF 2			
THIS DRAWING CONTAINS INFORMATION THAT IS PROPRIETARY TO MOLEX INCORPORATED AND SHOULD NOT BE USED WITHOUT WRITTEN PERMISSION									

9 8 7 6 5 4 3 2 1