



Distributor of Molex Connector Corporation: Excellent Integrated System Limited
Datasheet of 0387007526 - Connector Barrier Block Strip 26 Circuit 0.325" (8.26mm)

Contact us: sales@integrated-circuit.com Website: www.integrated-circuit.com

Excellent Integrated System Limited

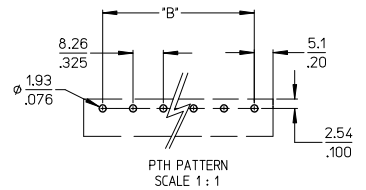
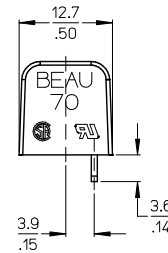
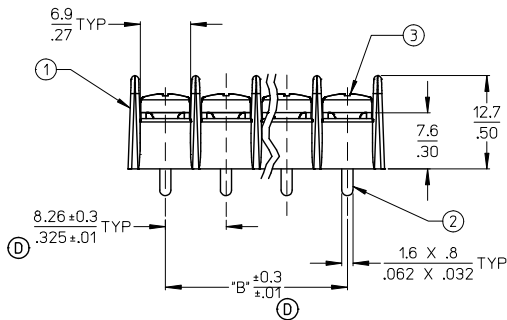
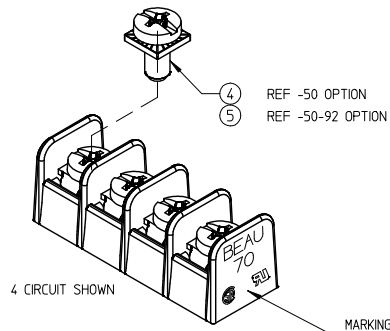
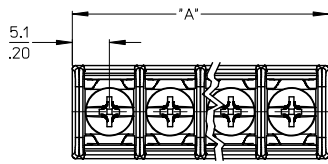
Stocking Distributor

Click to view price, real time Inventory, Delivery & Lifecycle Information:

[Molex Connector Corporation](#)
[0387007526](#)

For any questions, you can email us directly:
sales@integrated-circuit.com

10 9 8 7 6 5 4 3 2 38700



- NOTES:
1. MATERIAL: SEE TABLE.
 2. FINISHES: SEE TABLE.
 3. 'XX' REFERS TO THE QUANTITY OF CIRCUITS POSITIONS.
 4. MATERIAL NUMBER 387090319 IS THE SAME AS MATERIAL NUMBER 387007516, EXCEPT BY THE SPECIAL PACKING.
 5. ROHS COMPLIANT

5		'XX'	SCREW, #6-32, PAN HD, PH-SL, W/SQ WSHR (-50-92)	STEEL	ZN, NOKROM COATING	REVISE & REDRAWN EC NO: IP62014-0471 DRAWN: JENICINS 2014/01/14 CHKD: JAGNEIL 2014/01/21 APPR: JAGNEIL	QUALITY SYMBOLS ▽=0 ▽=0	GENERAL TOLERANCES (UNLESS SPECIFIED)		DIMENSION STYLE		SCALE	DESIGN UNITS	THIRD ANGLE PROJECTION
4		'XX'	SCREW, #6-32, PAN HD, PH-SL, W/SQ WSHR (-50)	STEEL	ZN, CLEAR CHROMATE			mm	INCH	MM/IN	2:1	INCH	THIRD ANGLE PROJECTION	
3		'XX'	SCREW, #6-32, PAN HD, PH-SL (STANDARD)	STEEL	ZN, CLEAR CHROMATE			4 PLACES ± .005	3 PLACES ± .005	DRAWN BY	DATE	TITLE		
2		'XX'	TERMINAL	BRASS	TIN			2 PLACES ± 0.13 ± .01	1 PLACE ± 0.3 ± .01	R. KEMP	2003/07/16	8.26/.325 SR BTS ASSY, PC, NO MTG ENDS		
1		1	BARRIER	POLYESTER (PBT)	BLACK			ANGULAR ± 2°		CHECKED BY	DATE	MOLEX INCORPORATED		
ITEM	QTY	DESCRIPTION		MATERIAL	FINISH	DRAFT WHERE APPLICABLE MUST REMAIN WITHIN DIMENSIONS		APPROVED BY	DATE	MATERIAL NO.	DOCUMENT NO.	SHEET NO.		
								P. WALTZ	2003/07/17	SEE CHART	SD-38700-001	1 OF 2		

9 8 7 6 5 4 3 2 1

THIS DRAWING CONTAINS INFORMATION THAT IS PROPRIETARY TO MOLEX INCORPORATED AND SHOULD NOT BE USED WITHOUT WRITTEN PERMISSION

10 9 8 7 6 5 4 3 2 38700

NUMBER OF CIRCUITS "XX"	DIM "A" mm	DIM "A" in	DIM "B" mm	DIM "B" in	STANDARD MATERIAL NO.	-50 OPTION MATERIAL NO.	-50-92 OPTION MATERIAL NO.
01	10.2	.40	-	-	387006301	387007501	-
02	18.4	.73	8.26	.325	387006302	387007502	387090370
03	26.7	1.05	16.51	.650	387006303	387007503	-
04	34.9	1.38	24.77	.975	387006304	387007504	-
05	43.2	1.70	33.02	1.300	387006305	387007505	-
06	51.4	2.03	41.28	1.625	387006306	387007506	-
07	59.7	2.35	49.53	1.950	387006307	387007507	-
08	67.9	2.68	57.79	2.275	387006308	387007508	387090371
09	76.2	3.00	66.04	2.600	387006309	387007509	-
10	84.5	3.33	74.30	2.925	387006310	387007510	-
11	92.7	3.65	82.55	3.250	387006311	387007511	-
12	101.0	3.98	90.81	3.575	387006312	387007512	-
13	109.2	4.30	99.06	3.900	387006313	387007513	-
14	117.5	4.63	107.32	4.225	387006314	387007514	-
15	125.7	4.95	115.57	4.550	387006315	387007515	-
16	134.0	5.28	123.83	4.875	387006316	387007516	387090368
17	142.2	5.60	132.80	5.200	387006317	387007517	-
18	150.5	5.93	140.34	5.525	387006318	387007518	-
19	158.8	6.25	148.59	5.850	387006319	387007519	-
20	167.0	6.58	156.85	6.175	387006320	387007520	-
21	175.3	6.90	165.10	6.500	387006321	387007521	-
22	183.5	7.23	173.36	6.825	387006322	387007522	-
23	191.8	7.55	181.61	7.150	387006323	387007523	-
24	200.0	7.88	189.87	7.475	387006324	387007524	387090372
25	208.3	8.20	198.12	7.800	387006325	387007525	-
26	216.5	8.53	206.38	8.125	387006326	387007526	-
27	224.8	8.85	214.63	8.450	387006327	387007527	-
28	233.0	9.18	222.89	8.775	387006328	387007528	-
29	241.3	9.50	231.14	9.100	387006329	387007529	-
30	249.6	9.83	239.40	9.425	387006330	387007530	387090373

MAT. #387090319 IS THE SAME AS 387007516 (SEE NOTE 4, SHEET #1)

SEE SHEET 1 EC NO: PG2014-0471 DRAWN: ENCINS CHKD: APPRE: MACNEIL 2014/01/15 2014/01/21 REV	QUALITY SYMBOLS ▽=0 ▽=0	GENERAL TOLERANCES (UNLESS SPECIFIED)		DIMENSION STYLE MM/IN		SCALE 2:1	DESIGN UNITS INCH	THIRD ANGLE PROJECTION	
						DRAWN BY R. KEMP		DATE 2003/07/16	
						CHECKED BY R. STONE		DATE 2003/07/16	
						APPROVED BY P. WALTZ		DATE 2003/07/17	
		ANGULAR ± 2°		MATERIAL NO. SEE CHART		DOCUMENT NO. SD-38700-001		SHEET NO. 2 OF 2	
		DRAFT WHERE APPLICABLE MUST REMAIN WITHIN DIMENSIONS		SIZE B		THIS DRAWING CONTAINS INFORMATION THAT IS PROPRIETARY TO MOLEX INCORPORATED AND SHOULD NOT BE USED WITHOUT WRITTEN PERMISSION			

9 8 7 6 5 4 3 2 1