



Distributor of Molex Connector Corporation: Excellent Integrated System Limited

Datasheet of 0387044002 - Connector Barrier Block Strip 2 Circuit 0.325" (8.26mm)

Contact us: sales@integrated-circuit.com Website: www.integrated-circuit.com

Excellent Integrated System Limited

Stocking Distributor

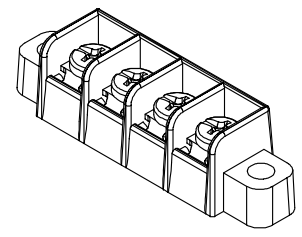
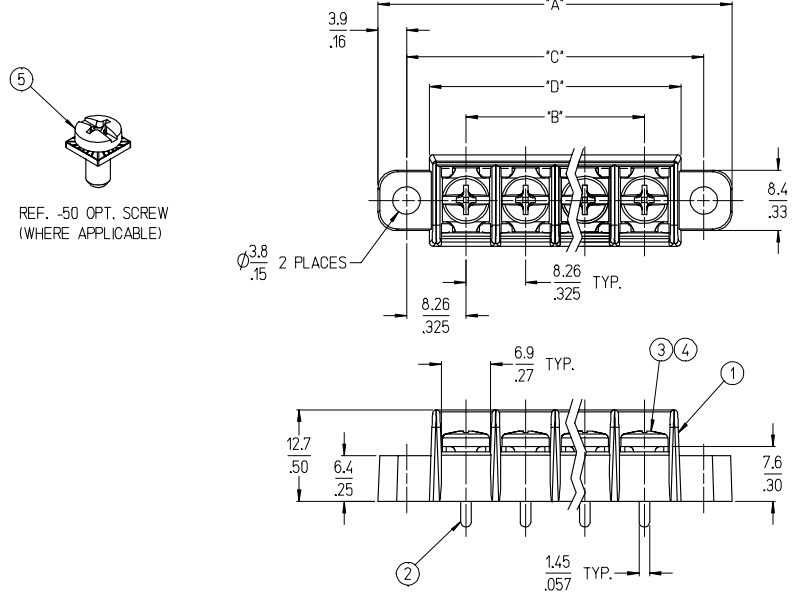
Click to view price, real time Inventory, Delivery & Lifecycle Information:

[Molex Connector Corporation](#)
[0387044002](#)

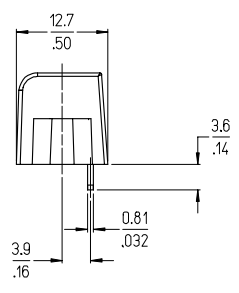
For any questions, you can email us directly:

sales@integrated-circuit.com

10 9 8 7 6 5 4 3 2 1



4 CIRCUIT SHOWN



- NOTES:
1. MATERIAL: SEE TABLE
 2. FINISH: SEE TABLE
 3. *XX* REFERS TO THE QUANTITY OF CIRCUITS.
 4. ASSEMBLY IS ROHS COMPLIANT.

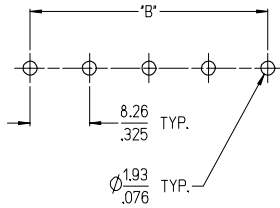
5	XX	SCREW&WASHER, #6-32X.25, PAN, PH/SL (1-50 OPT)	STEEL	ZN, CLEAR CHROMATE
4	XX	SCREW, #6-32X.25, PAN, PH/SL (1-49 OPT)	BRASS	NICKEL PLATE
3	XX	SCREW, #6-32X.25, PAN, PH/SL (STD.)	STEEL	ZN, CLEAR CHROMATE
2	XX	TERMINAL, PC	BRASS	TIN PLATE
1	1	INSULATOR, SR, CS, PC	PBT	BLACK

INITIAL RELEASE EC NO: ETC2007-0180 DRAWN BY: C. YORK CHKD: J. MACNEIL APPR: J. MACNEIL 2006/11/08 2006/11/08 2006/11/08	QUALITY SYMBOLS ▽=0 ▽=0	GENERAL TOLERANCES (UNLESS SPECIFIED)		DIMENSION STYLE MM/IN	SCALE 2:1	DESIGN UNITS INCH	THIRD ANGLE PROJECTION
		4 PLACES ± --- ± --- 3 PLACES ± --- ± .005 2 PLACES ± 0.13 ± .01 1 PLACE ± 0.3 ± --- ANGULAR ± 2 °	DRAWN BY C. YORK DATE 2006/11/08	CHECKED BY J. MACNEIL DATE 2006/11/08	APPROVED BY J. MACNEIL DATE 2006/11/08	TITLE 8.26MM [.325] SR BTS, CS PC WITH MTG.	MOLEX INCORPORATED
DRAFT WHERE APPLICABLE MUST REMAIN WITHIN DIMENSIONS		SEE SHT. 2		THIS DRAWING CONTAINS INFORMATION THAT IS PROPRIETARY TO MOLEX INCORPORATED AND SHOULD NOT BE USED WITHOUT WRITTEN PERMISSION			

9 8 7 6 5 4 3 2 1

10 9 8 7 6 5 4 3 2 1

NO. OF CIRCUITS	DIM. "A"		DIM. "B"		DIM. "C"		DIM. "D"		ASSEMBLY MATERIAL NO. (STANDARD)	ASSEMBLY MATERIAL NO. (-49 OPT)	ASSEMBLY MATERIAL NO. (-50 OPT)
	mm	in	mm	in	mm	in	mm	in			
02	32.6	1.29	8.26	.325	24.77	.975	18.4	.73	387044002	387044402	387044802
03	40.9	1.61	16.51	.650	33.02	1.300	26.7	1.05	387044003	387044403	387044803
04	49.1	1.94	24.77	.975	41.28	1.625	34.9	1.38	387044004	387044404	387044804
05	57.4	2.26	33.02	1.300	49.53	1.950	43.2	1.70	387044005	387044405	387044805
06	65.7	2.59	41.28	1.625	57.79	2.275	51.4	2.03	387044006	387044406	387044806
07	73.9	2.91	49.53	1.950	66.04	2.600	59.7	2.35	387044007	387044407	387044807
08	82.2	3.24	57.79	2.275	74.30	2.925	67.9	2.68	387044008	387044408	387044808
09	90.4	3.56	66.04	2.600	82.55	3.250	76.2	3.00	387044009	387044409	387044809
10	98.7	3.89	74.30	2.925	90.81	3.575	84.5	3.33	387044010	387044410	387044810
11	106.9	4.21	82.55	3.250	99.06	3.900	92.7	3.65	387044011	387044411	387044811
12	115.2	4.54	90.81	3.575	107.32	4.225	101.0	3.98	387044012	387044412	387044812



RECOMMENDED PCB LAYOUT

SEE SHEET 1 IEC NO: ETC2007-0180 DRAWN BY: C. YORK 2006/11/08 CHECKED BY: J. MACNEIL 2006/11/08 APPR: J. MACNEIL 2006/11/08	QUALITY SYMBOLS ▽=0 ▽=0	GENERAL TOLERANCES (UNLESS SPECIFIED)		DIMENSION STYLE	SCALE	DESIGN UNITS	THIRD ANGLE PROJECTION		
				MM/IN	2:1	INCH			
				MM	INCH	DRAWN BY: C. YORK DATE: 2006/11/08			
						CHECKED BY: J. MACNEIL DATE: 2006/11/08			
				APPROVED BY: J. MACNEIL DATE: 2006/11/08			TITLE: 8.26MM [.325] SR BTS, CS PC WITH MTG.		
				MATERIAL NO. J. MACNEIL 2006/11/08			DOCUMENT NO. MOLEX INCORPORATED		
		DRAFT WHERE APPLICABLE MUST REMAIN WITHIN DIMENSIONS		SEE CHART			SHEET NO. 2 OF 2		
				THIS DRAWING CONTAINS INFORMATION THAT IS PROPRIETARY TO MOLEX INCORPORATED AND SHOULD NOT BE USED WITHOUT WRITTEN PERMISSION					

9 8 7 6 5 4 3 2 1