



Distributor of Molex Connector Corporation: Excellent Integrated System Limited
Datasheet of 0387106211 - Connector Barrier Block Strip 11 Circuit 0.375" (9.53mm)

Contact us: sales@integrated-circuit.com Website: www.integrated-circuit.com

Excellent Integrated System Limited

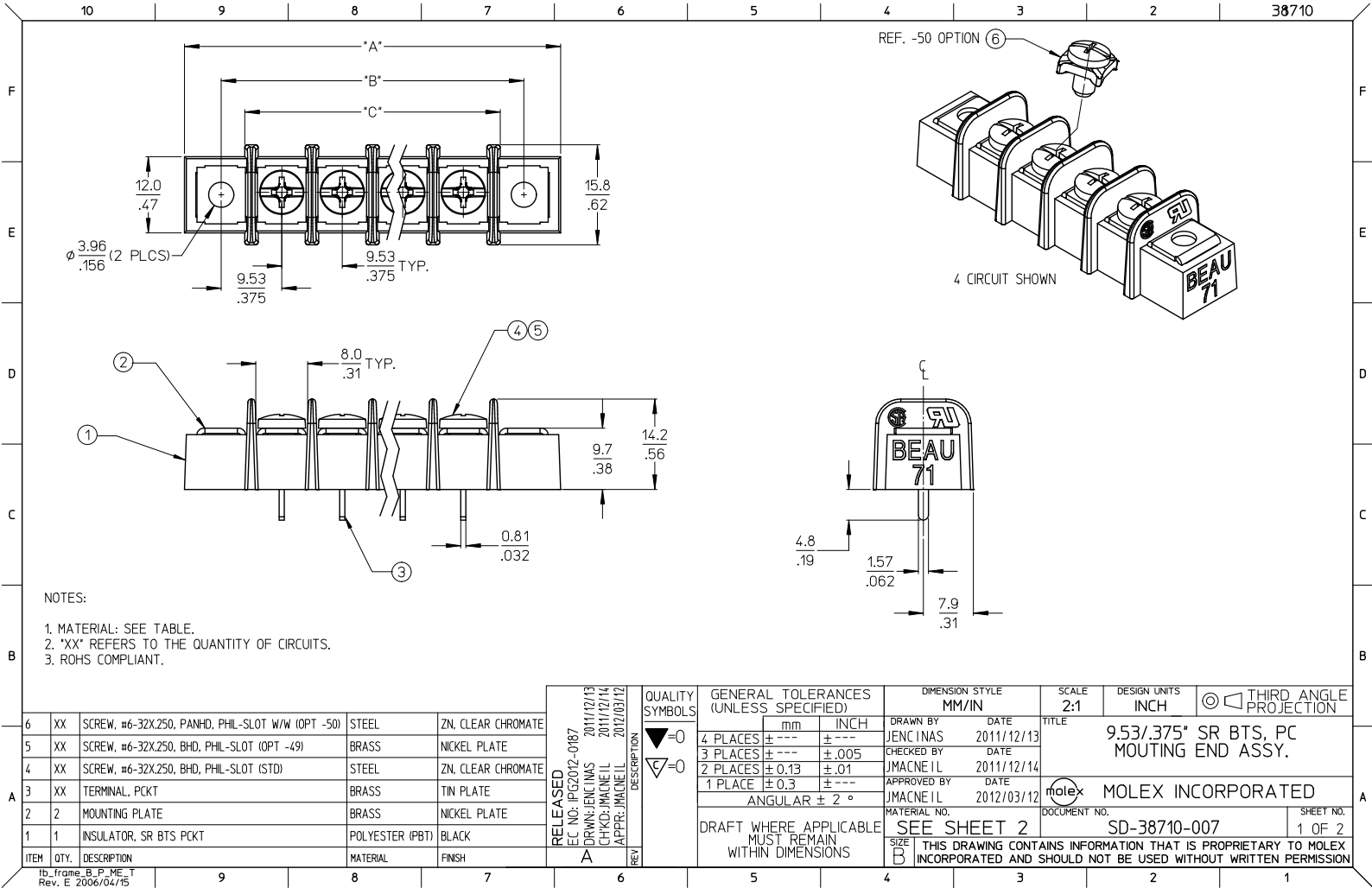
Stocking Distributor

Click to view price, real time Inventory, Delivery & Lifecycle Information:

[Molex Connector Corporation](#)
[0387106211](#)

For any questions, you can email us directly:

sales@integrated-circuit.com



- NOTES:
1. MATERIAL: SEE TABLE.
 2. "XX" REFERS TO THE QUANTITY OF CIRCUITS.
 3. ROHS COMPLIANT.

ITEM	QTY.	DESCRIPTION	MATERIAL	FINISH	REV	DESCRIPTION	QUALITY SYMBOLS	GENERAL TOLERANCES (UNLESS SPECIFIED)		DIMENSION STYLE		SCALE	DESIGN UNITS	THIRD ANGLE PROJECTION	
								mm	INCH	MM/IN	MM/IN				
6	XX	SCREW, #6-32X.250, PANHD, PHIL-SLOT W/W (OPT -50)	STEEL	ZN, CLEAR CHROMATE			▽=0	± .005	± .005	DRAWN BY	DATE	2:1	INCH	THIRD ANGLE PROJECTION	
5	XX	SCREW, #6-32X.250, BHD, PHIL-SLOT (OPT -49)	BRASS	NICKEL PLATE			▽=0	± .01	± .01	JENCINAS	2011/12/13				TITLE
4	XX	SCREW, #6-32X.250, BHD, PHIL-SLOT (STD)	STEEL	ZN, CLEAR CHROMATE			▽=0	± .01	± .01	CHECKED BY	DATE	MATERIAL NO.	DOCUMENT NO.	SHEET NO.	
3	XX	TERMINAL, PKCT	BRASS	TIN PLATE			▽=0	± .01	± .01	JMACNE IL	2011/12/14				SEE SHEET 2
2	2	MOUNTING PLATE	BRASS	NICKEL PLATE			▽=0	± .01	± .01	APPROVED BY	DATE	MATERIAL NO.	DOCUMENT NO.	SHEET NO.	
1	1	INSULATOR, SR BTS PKCT	POLYESTER (PBT)	BLACK			▽=0	± .01	± .01	JMACNE IL	2012/03/12				SEE SHEET 2
ITEM								DRAFT WHERE APPLICABLE MUST REMAIN WITHIN DIMENSIONS		MATERIAL NO.		DOCUMENT NO.		SHEET NO.	
1b_frame_B_P_ME_T								ANGULAR ± 2°		MATERIAL NO.		DOCUMENT NO.		SHEET NO.	
Rev. E 2006/04/15								DRAFT WHERE APPLICABLE MUST REMAIN WITHIN DIMENSIONS		MATERIAL NO.		DOCUMENT NO.		SHEET NO.	

THIS DRAWING CONTAINS INFORMATION THAT IS PROPRIETARY TO MOLEX INCORPORATED AND SHOULD NOT BE USED WITHOUT WRITTEN PERMISSION

10 9 8 7 6 5 4 3 2 38710

NO. OF CIRCUITS	DIM. 'A'		DIM. 'B'		DIM. 'C'		ASSEMBLY MATERIAL NO. (STD)	ASSEMBLY MATERIAL NO. (-49 OPT)	ASSEMBLY MATERIAL NO. (-50 OPT)
	mm	in	mm	in	mm	in			
02	40.1	1.58	28.6	1.13	21.1	0.83	387106202	387106802	387107402
03	49.7	1.96	38.1	1.50	30.6	1.21	387106203	387106803	387107403
04	59.2	2.33	47.6	1.88	40.1	1.58	387106204	387106804	387107404
05	68.7	2.71	57.1	2.25	49.7	1.96	387106205	387106805	387107405
06	78.2	3.08	66.6	2.63	59.2	2.33	387106206	387106806	387107406
07	87.8	3.46	76.2	3.00	68.7	2.71	387106207	387106807	387107407
08	97.3	3.83	85.7	3.38	78.2	3.08	387106208	387106808	387107408
09	106.8	4.21	95.2	3.75	87.8	3.46	387106209	387106809	387107409
10	116.3	4.58	104.8	4.13	97.3	3.83	387106210	387106810	387107410
11	125.9	4.96	114.3	4.50	106.8	4.21	387106211	387106811	387107411
12	135.4	5.33	123.8	4.88	116.3	4.58	387106212	387106812	387107412
13	144.9	5.71	133.3	5.25	125.9	4.96	387106213	387106813	387107413
14	154.4	6.08	142.9	5.63	135.4	5.33	387106214	387106814	387107414
15	164.0	6.46	152.4	6.00	144.9	5.71	387106215	387106815	387107415
16	173.5	6.83	161.9	6.38	154.4	6.08	387106216	387106816	387107416
17	183.0	7.21	171.4	6.75	164.0	6.46	387106217	387106817	387107417
18	192.5	7.58	181.0	7.13	173.5	6.83	387106218	387106818	387107418
19	202.1	7.96	190.5	7.50	183.0	7.21	387106219	387106819	387107419
20	211.6	8.33	200.0	7.88	192.5	7.58	387106220	387106820	387107420
21	221.1	8.71	209.5	8.25	202.1	7.96	387106221	387106821	387107421
22	230.6	9.08	219.1	8.63	211.6	8.33	387106222	387106822	387107422
23	240.2	9.46	228.6	9.00	221.1	8.71	387106223	387106823	387107423
24	249.7	9.83	238.1	9.38	230.6	9.08	387106224	387106824	387107424
25	259.2	10.21	247.6	9.75	240.2	9.46	387106225	387106825	387107425
26	268.7	10.58	257.2	10.13	249.7	9.83	387106226	387106826	387107426

SEE SHEET ONE IEC NO: IPG2012-0187 DRAWN: JENC INAS 2011/12/13 CHKD: JMACNE IL 2011/12/14 APPR: JMACNE IL 2012/03/12 A	QUALITY SYMBOLS DESCRIPTION	GENERAL TOLERANCES (UNLESS SPECIFIED)		DIMENSION STYLE MM/IN		SCALE 2:1	DESIGN UNITS INCH	THIRD ANGLE PROJECTION
		4 PLACES ± --- ± --- 3 PLACES ± --- ± .005 2 PLACES ± 0.13 ± .01 1 PLACE ± 0.3 ± --- ANGULAR ± 2°	DRAWN BY JENC INAS	DATE 2011/12/13	TITLE 9.53/.375" SR BTS, PC MOUNTING END ASSY.			
		DRAFT WHERE APPLICABLE MUST REMAIN WITHIN DIMENSIONS	CHECKED BY JMACNE IL	DATE 2011/12/14	MOLEX INCORPORATED			
		SEE CHART	APPROVED BY JMACNE IL	DATE 2012/03/12	MATERIAL NO. SD-38710-007	DOCUMENT NO.	SHEET NO. 2 OF 2	

9 8 7 6 5 4 3 2 1