



**Distributor of Molex Connector Corporation: Excellent Integrated System Limited**  
Datasheet of 0387107511 - Connector Barrier Block Strip 11 Circuit 0.375" (9.53mm)

Contact us: [sales@integrated-circuit.com](mailto:sales@integrated-circuit.com) Website: [www.integrated-circuit.com](http://www.integrated-circuit.com)

---

## **Excellent Integrated System Limited**

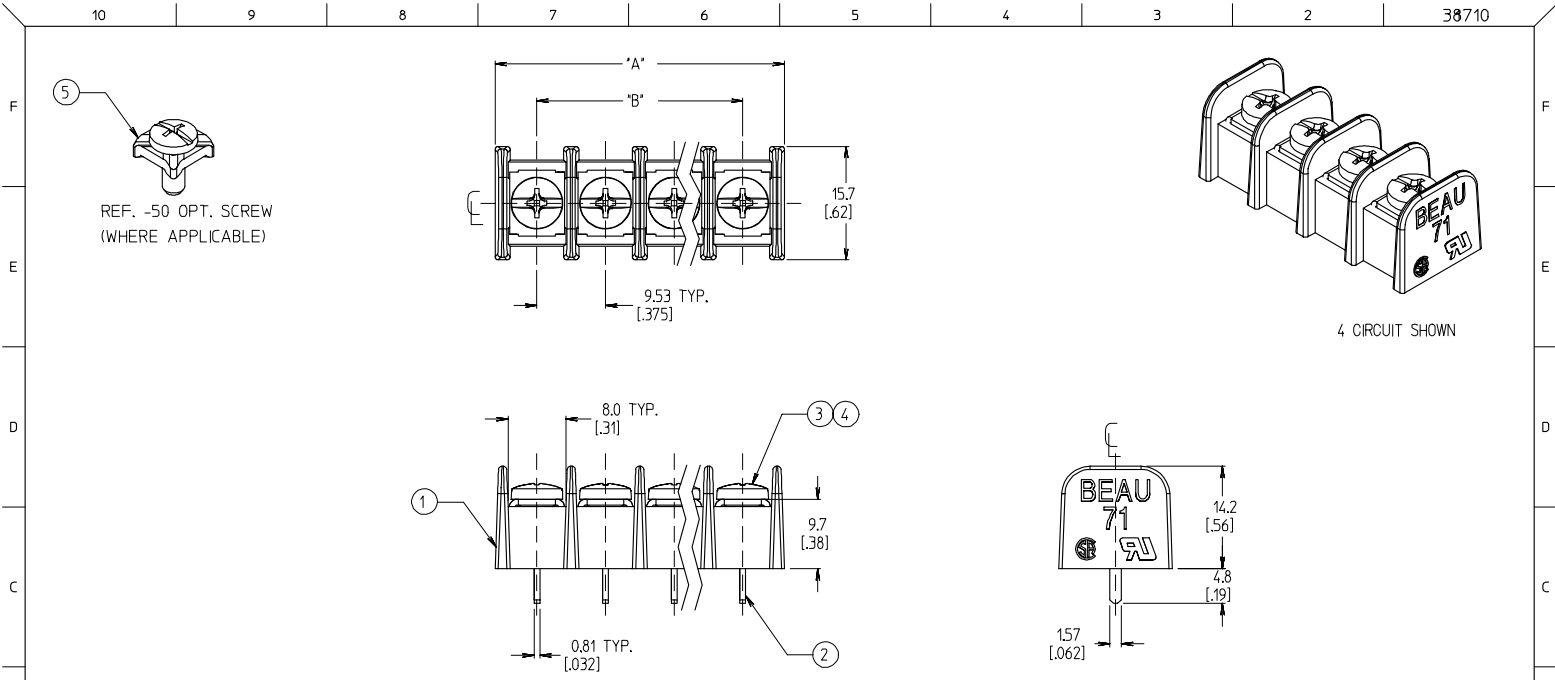
Stocking Distributor

Click to view price, real time Inventory, Delivery & Lifecycle Information:

[Molex Connector Corporation](#)  
[0387107511](#)

For any questions, you can email us directly:

[sales@integrated-circuit.com](mailto:sales@integrated-circuit.com)



- NOTES:
1. MATERIAL: SEE TABLE
  2. FINISH: SEE TABLE
  3. INCH DIMS ARE SHOWN IN BRACKETS [XXX].
  4. "XX" REFERS TO THE NUMBER OF CIRCUITS.
  5. ALL COMPONENTS ARE ROHS COMPLIANT.

ITEM	QTY.	DESCRIPTION	MATERIAL	FINISH	INITIAL RELEASE EC NO: ETC2006-0570 DRAWN BY: C. YORK CHKD BY: R. DEROSS APPROVED BY: R. DEROSS	REV A	DESCRIPTION	QUALITY SYMBOLS ▽=0 ▽=0	GENERAL TOLERANCES (UNLESS SPECIFIED)		DIMENSION STYLE	SCALE	DESIGN UNITS	THIRD ANGLE PROJECTION
									mm	INCH	MM/IN	2:1	INCH	INCH
5	XX	SCREW&WASHER, #6-32X.250, PAN, PH/SL (-50 OPT)	STEEL	ZN. CLEAR CHROMATE	DRAWN BY: C. YORK DATE: 2006/06/30 CHECKED BY: R. DEROSS DATE: 2006/06/30 APPROVED BY: R. DEROSS DATE: 2006/06/30	A	DESCRIPTION	▽=0 ▽=0	4 PLACES	± .005	MM/IN	2:1	INCH	MATERIAL NO. SEE SHEET 2 DOCUMENT NO. SD-38710-005 SHEET NO. 1 OF 2
4	XX	SCREW, #6-32X.250, BHD, PH/SL (-49 OPT)	BRASS	NICKEL PLATE					3 PLACES	± .01	DRAFT WHERE APPLICABLE MUST REMAIN WITHIN DIMENSIONS			
3	XX	SCREW, #6-32X.250, BHD, PH/SL (STD)	STEEL	ZN. CLEAR CHROMATE					2 PLACES	± 0.13		THIS DRAWING CONTAINS INFORMATION THAT IS PROPRIETARY TO MOLEX INCORPORATED AND SHOULD NOT BE USED WITHOUT WRITTEN PERMISSION		
2	XX	TERMINAL, PC, #6-32	BRASS	TIN PLATE					1 PLACE	± 0.25				
1	1	INSULATOR, SR, NO MTG.	30% G.F. PBT	BLACK					ANGULAR	± 2 °				

10 9 8 7 6 5 4 3 2 38710

NO. OF CIRCUITS	DIM. "A"		DIM. "B"		ASSEMBLY MATERIAL NO. (STANDARD)	ASSEMBLY MATERIAL NO. (-49 OPT)	ASSEMBLY MATERIAL NO. (-50 OPT)
	mm	in	mm	in			
02	21.1	0.83	9.53	0.375	387106302	387106902	387107502
03	30.7	1.21	19.05	0.750	387106303	387106903	387107503
04	40.2	1.58	28.58	1.125	387106304	387106904	387107504
05	49.7	1.96	38.10	1.500	387106305	387106905	387107505
06	59.2	2.33	47.63	1.875	387106306	387106906	387107506
07	68.8	2.71	57.15	2.250	387106307	387106907	387107507
08	78.3	3.08	66.68	2.625	387106308	387106908	387107508
09	87.8	3.46	76.20	3.000	387106309	387106909	387107509
10	97.3	3.83	85.73	3.375	387106310	387106910	387107510
11	106.9	4.21	95.25	3.750	387106311	387106911	387107511
12	116.4	4.58	104.78	4.125	387106312	387106912	387107512
13	125.9	4.96	114.30	4.500	387106313	387106913	387107513
14	135.4	5.33	123.83	4.875	387106314	387106914	387107514
15	145.0	5.71	133.35	5.250	387106315	387106915	387107515
16	154.5	6.08	142.88	5.625	387106316	387106916	387107516
17	164.0	6.46	152.40	6.000	387106317	387106917	387107517
18	173.5	6.83	161.93	6.375	387106318	387106918	387107518
19	183.1	7.21	171.45	6.750	387106319	387106919	387107519
20	192.6	7.58	180.98	7.125	387106320	387106920	387107520
21	202.1	7.96	190.50	7.500	387106321	387106921	387107521
22	211.6	8.33	200.03	7.875	387106322	387106922	387107522
23	221.2	8.71	209.55	8.250	387106323	387106923	387107523
24	230.7	9.08	219.08	8.625	387106324	387106924	387107524
25	240.2	9.46	228.60	9.000	387106325	387106925	387107525
26	249.7	9.83	238.13	9.375	387106326	387106926	387107526

SEE SHEET 1 EC NO: EIC2006-0520 DRAWN BY: C. YORK CHK'D BY: R. DEROSS APPR'D BY: R. DEROSS	QUALITY SYMBOLS ▽=0 ▽=0	GENERAL TOLERANCES (UNLESS SPECIFIED)		DIMENSION STYLE	SCALE	DESIGN UNITS	THIRD ANGLE PROJECTION	
				MM/IN	2:1	INCH		
				mm	INCH	DRAWN BY: C. YORK		
				4 PLACES ± --- ± ---	DATE: 2006/06/30	TITLE: 9.53MM [.375] SR BTS ASSY, PC TERM, WITHOUT MTG. ENDS, LOW PROF.		
		3 PLACES ± --- ± .005	CHECKED BY: R. DEROSS	DATE: 2006/06/30			MOLEX INCORPORATED	
		2 PLACES ± 0.13 ± .01	APPROVED BY: R. DEROSS	DATE: 2006/06/30				
		1 PLACE ± 0.25 ± ---	ANGULAR ± 2 °	MATERIAL NO. SEE CHART			DOCUMENT NO. SD-38710-005	
		DRAFT WHERE APPLICABLE MUST REMAIN WITHIN DIMENSIONS		SIZE B	THIS DRAWING CONTAINS INFORMATION THAT IS PROPRIETARY TO MOLEX INCORPORATED AND SHOULD NOT BE USED WITHOUT WRITTEN PERMISSION			

9 8 7 6 5 4 3 2 1